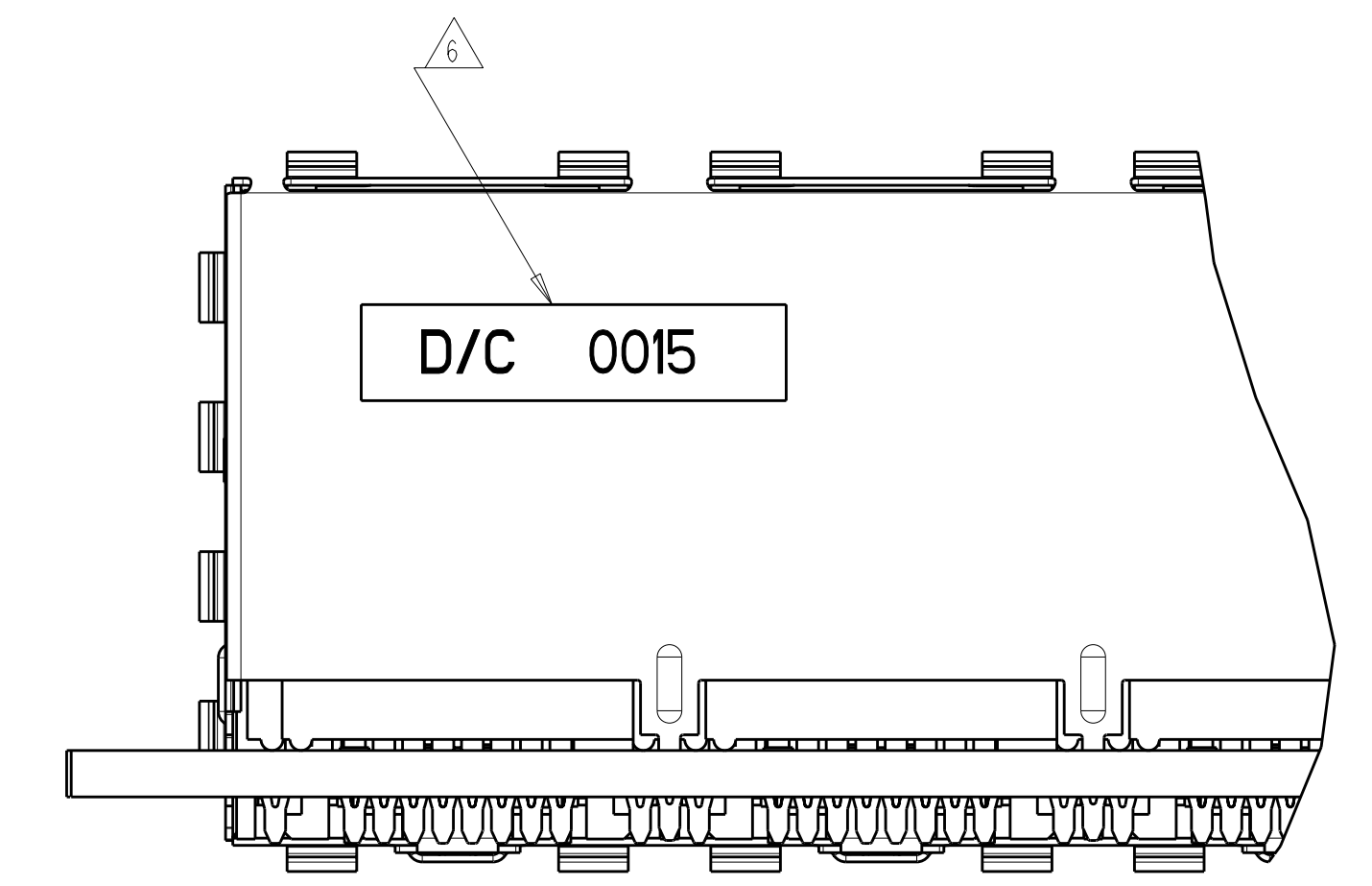
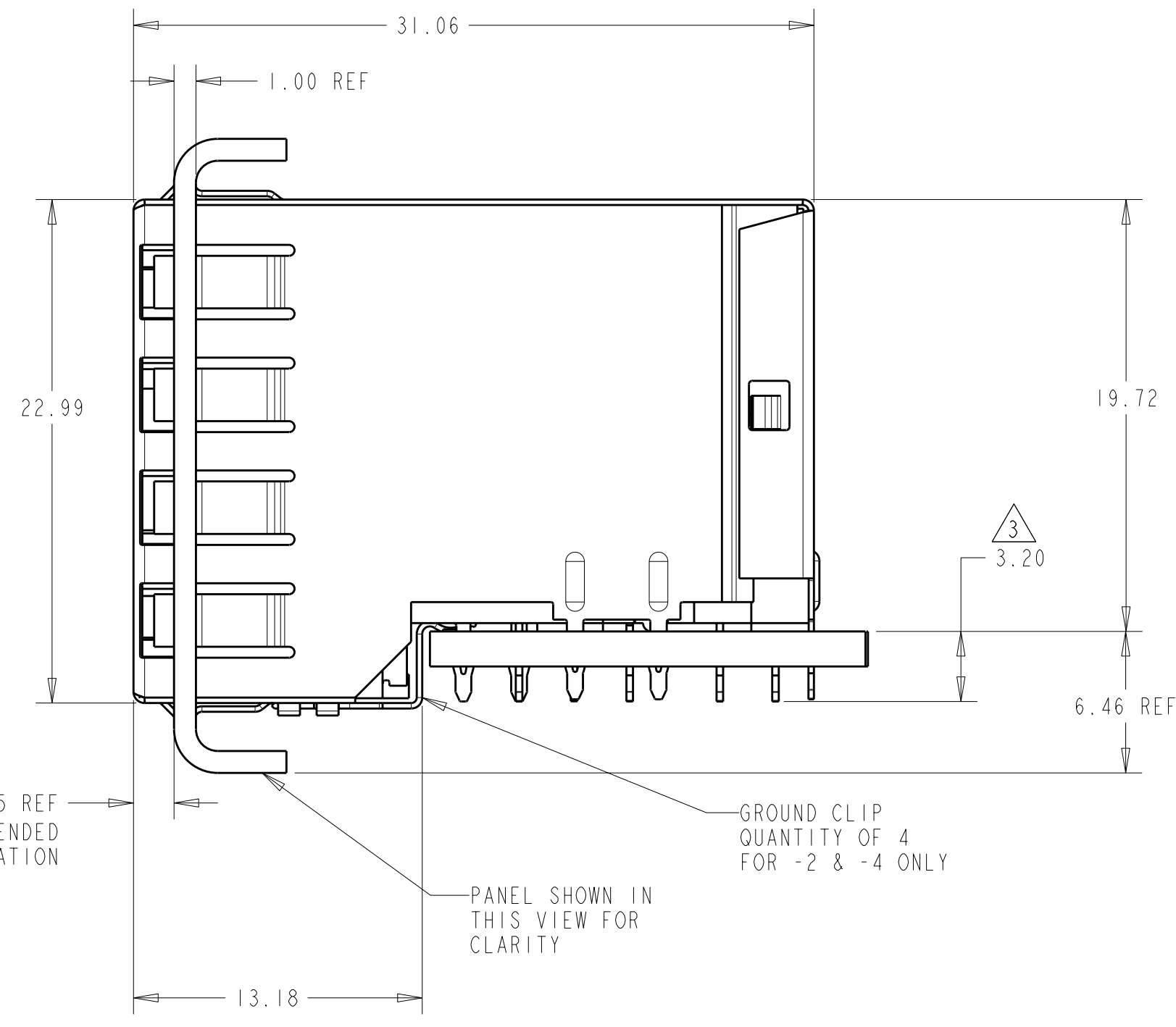
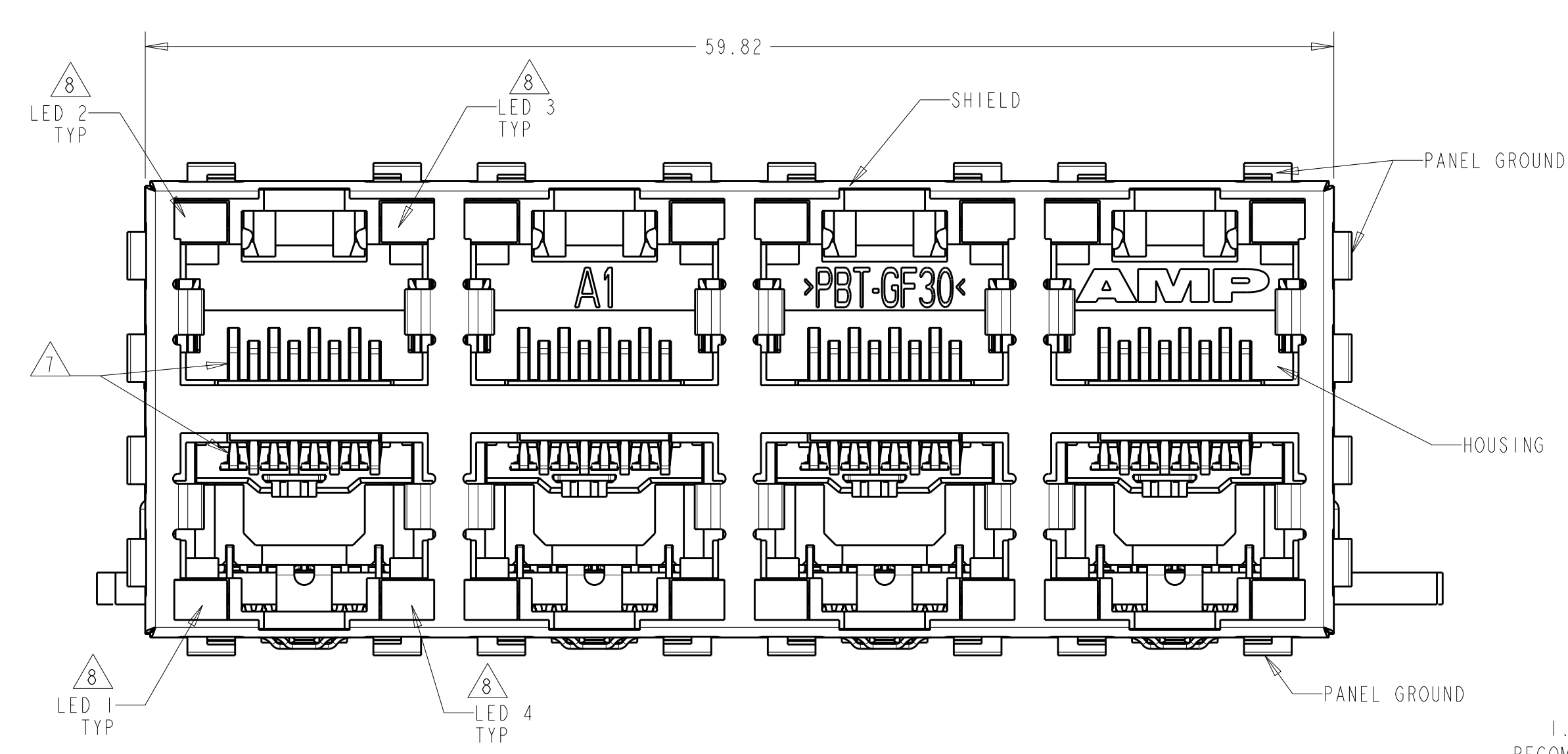
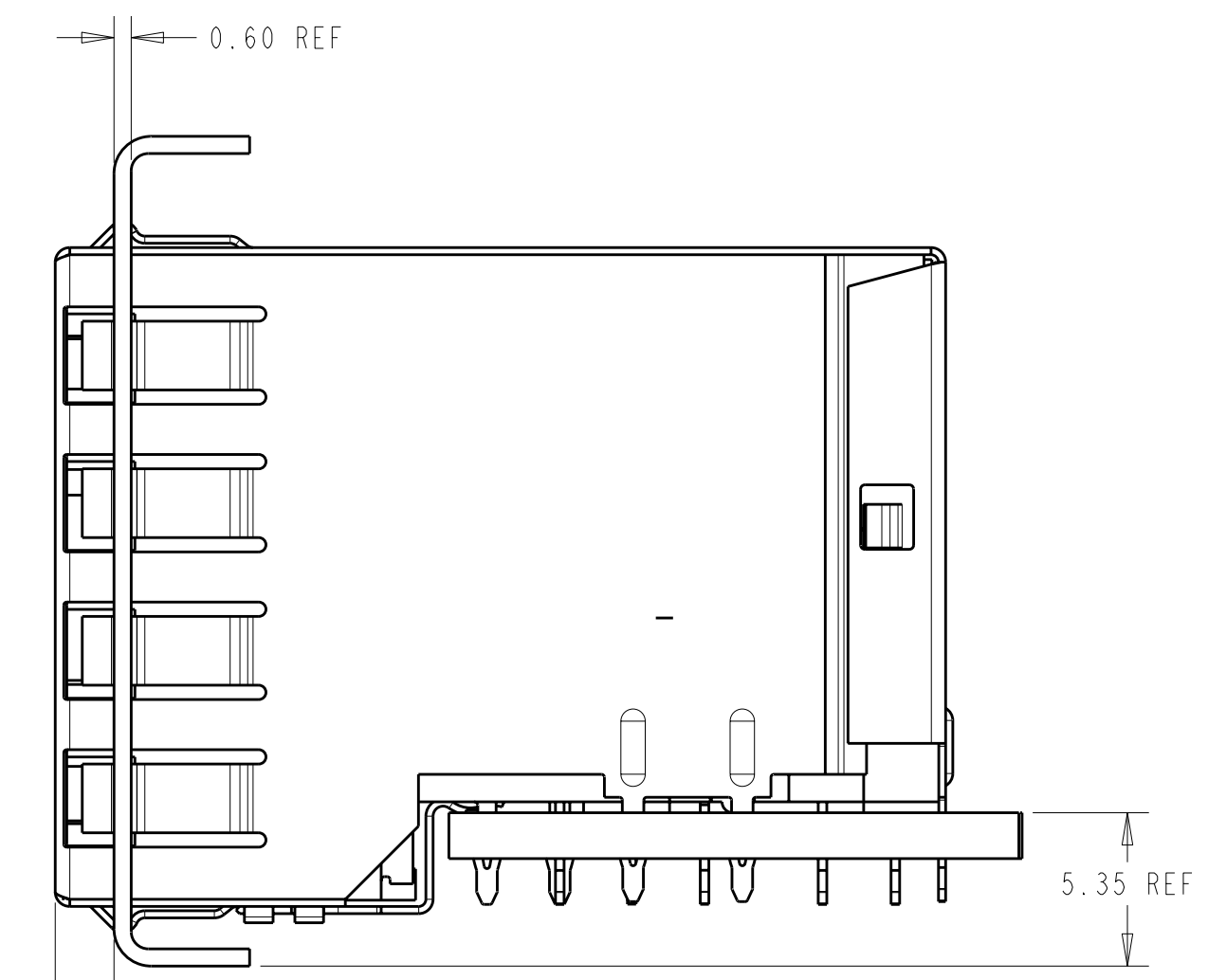


| LOC | DIST | REV | DATE | BY | CHK | APPV |
|-----|------|-----|-----------|----|-----|------|
| AA | 00 | B4 | 05MAY2011 | RK | HMR | |



ATCA PANEL AND PRINTED CIRCUIT BOARD ASSEMBLY LAYOUT



AMC PANEL AND PRINTED CIRCUIT BOARD ASSEMBLY LAYOUT

- MATERIAL:
 - HOUSING: PBT POLYESTER, BLACK, UL 94V-0
 - TERMINALS: 0.33 THICK PHOSPHOR BRONZE PLATED WITH 1.27µm MINIMUM THICK HARD GOLD IN LOCALIZED AREA AND 2.0µm MINIMUM THICK MATTE TIN IN COMPLIANT PIN TERMINAL AREA OVER 1.27µm MINIMUM THICK NICKEL UNDERPLATE
 - SHIELD: 0.25 THICK COPPER ALLOY PLATED WITH 2.03µm MINIMUM TIN OVER 1.27 µm MINIMUM NICKEL
 - GROUND CLIP: 0.25 THICK COPPER ALLOY PRE-PLATED WITH 2.03µm MINIMUM MATTE TIN OVER 1.27µm MINIMUM NICKEL
 - LIGHT EMITTING DIODE (LED): DIFFUSED EPOXY LENS, 12.95 CARBON STEEL WIREFRAME LEADS 8.89µm THICK Sn/Cu OVER 2.03µm THICK Ag OVER 1.02µm THICK Cu OVER 3.56µm THICK Ni OVER 1.02µm THICK Cu UNDERPLATE
 - LED COMPLIANT PIN CONTACTS: 0.3 THICK BRASS PLATED WITH 2-4µm BRIGHT TIN.
 - JACK CAVITY CONFORMS TO FCC RULES AND REGULATIONS, PART 68 SUBPART F.
- 3 MAXIMUM PIN LENGTH 3.40 FROM TOP SURFACE OF PC BOARD
 - 4 FINISHED PLATED THROUGH HOLE DIAMETER - ANNULAR RING DIAMETER 1.3 TO 1.5
 - 5 DATUMS AND BASIC DIMENSIONS ESTABLISHED BY CUSTOMER
 - 6 DATE CODE LOCATED ON REAR OF PART APPROXIMATELY AS SHOWN
 - 7 CONTACTS ARE NOT INTENDED TO BE ALIGNED WITH EACH OTHER
 - 8 SUGGESTED OPERATING CURRENT FOR LEDS IS 20mA
 - 9 NO PANEL GROUNDS

| LED #4 (LOWER-RIGHT) | LED #3 (UPPER-RIGHT) | LED #2 (UPPER-LEFT) | LED #1 (LOWER-LEFT) | DESCRIPTION | PART NUMBER |
|----------------------|----------------------|---------------------|---------------------|---------------------|-------------------|
| GREEN/YELLOW | GREEN/YELLOW | GREEN/YELLOW | GREEN/YELLOW | WITH GROUND CLIP | 1888507-5 |
| GREEN/YELLOW | GREEN/YELLOW | GREEN/YELLOW | GREEN/YELLOW | WITH GROUND CLIP | 1888507-4 |
| YELLOW | YELLOW | GREEN | GREEN | WITHOUT GROUND CLIP | 1888507-3 |
| GREEN | GREEN | GREEN | GREEN | WITH GROUND CLIP | 1888507-2 (SHOWN) |
| GREEN | GREEN | GREEN | GREEN | WITHOUT GROUND CLIP | 1888507-1 |

THIS DRAWING IS A CONTROLLED DOCUMENT.

DW: R. SCHRUM/L. A. WAYER 24OCT2006
 CHK: J. WESTMAN 24OCT2006
 APPV: S. FLICKINGER 24OCT2006

NAME: STACKED MODULAR JACK ASSEMBLY, 2x4 OFFSET, WITH LEDS, 8 POSN, RJ45 SHIELDED, PANEL GROUNDS, CAT 5

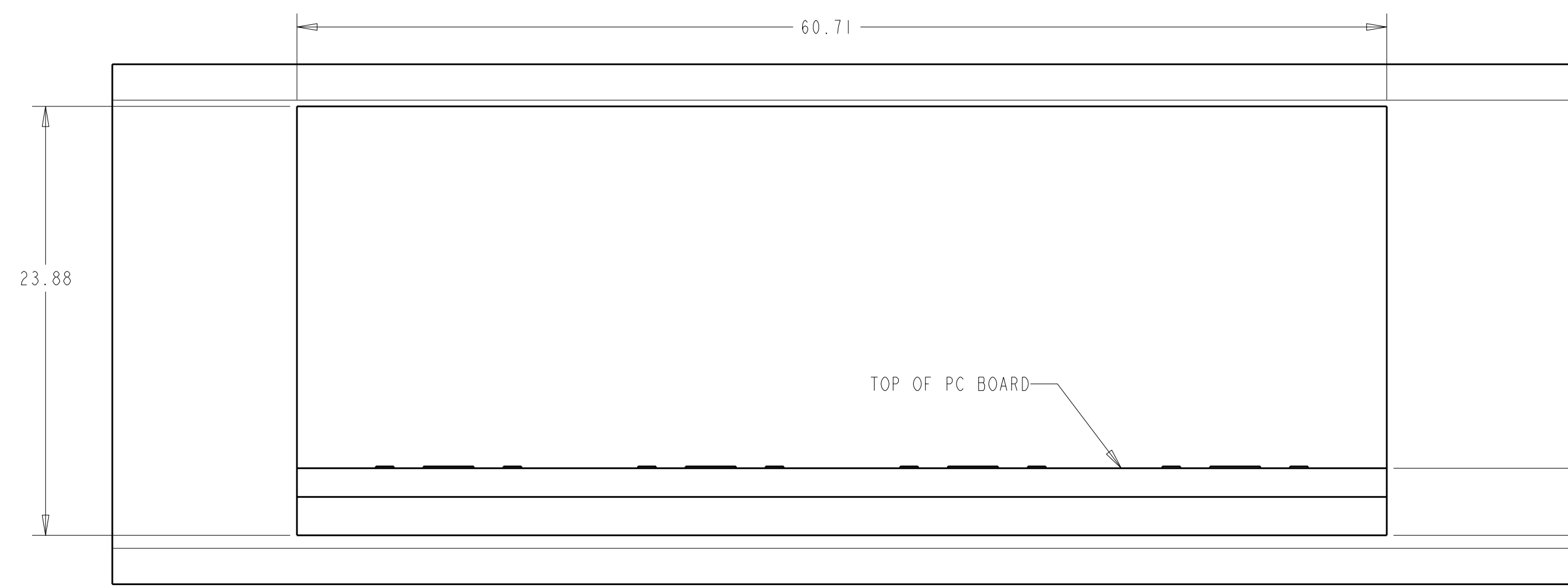
PRODUCT SPEC: 108-1854
 APPLICATION SPEC: 114-2160

SIZE: A1 CAGE CODE: 00779 DRAWING NO: 1888507
 WEIGHT: -
 FINISH: SEE NOTE 1

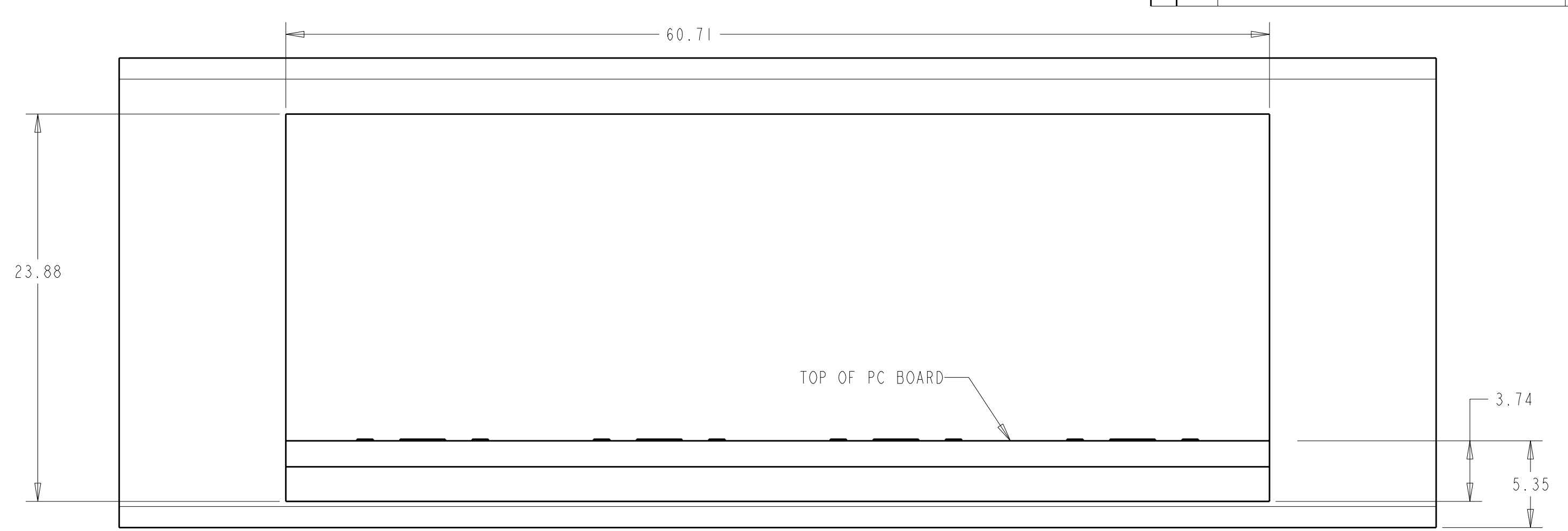
CUSTOMER DRAWING SCALE: 4:1 SHEET: 1 OF 2 REV: B4

| LOC | DIST | REV | DATE | BY | APPD |
|-----|------|-----|------|----|------|
| AA | 00 | | | | |

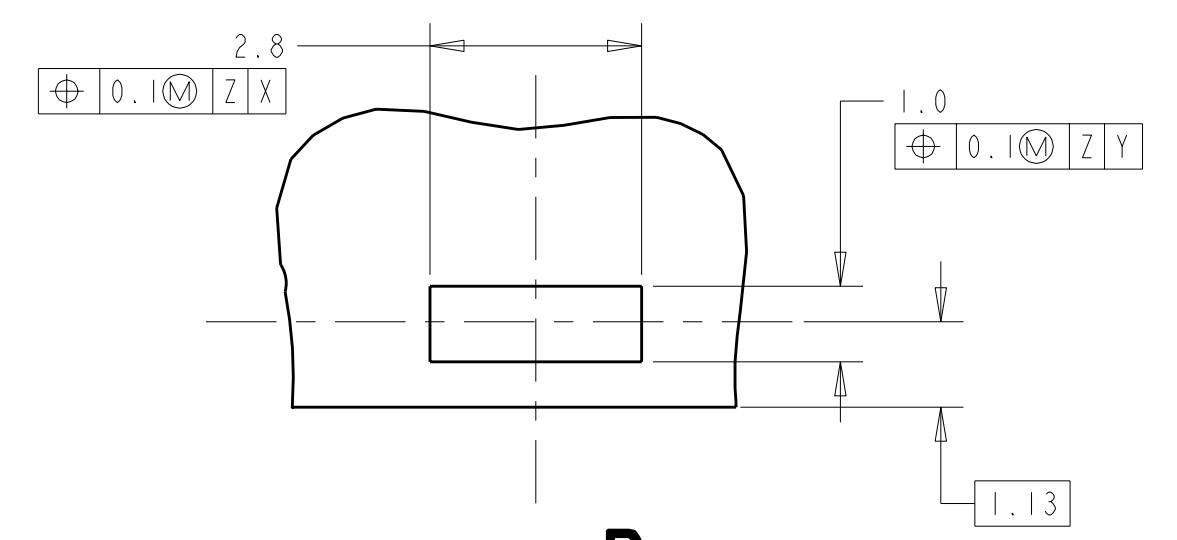
| REVISIONS | | DATE | BY | APPD |
|-----------|-------------|------|----|------|
| 1 | SEE SHEET 1 | | | |



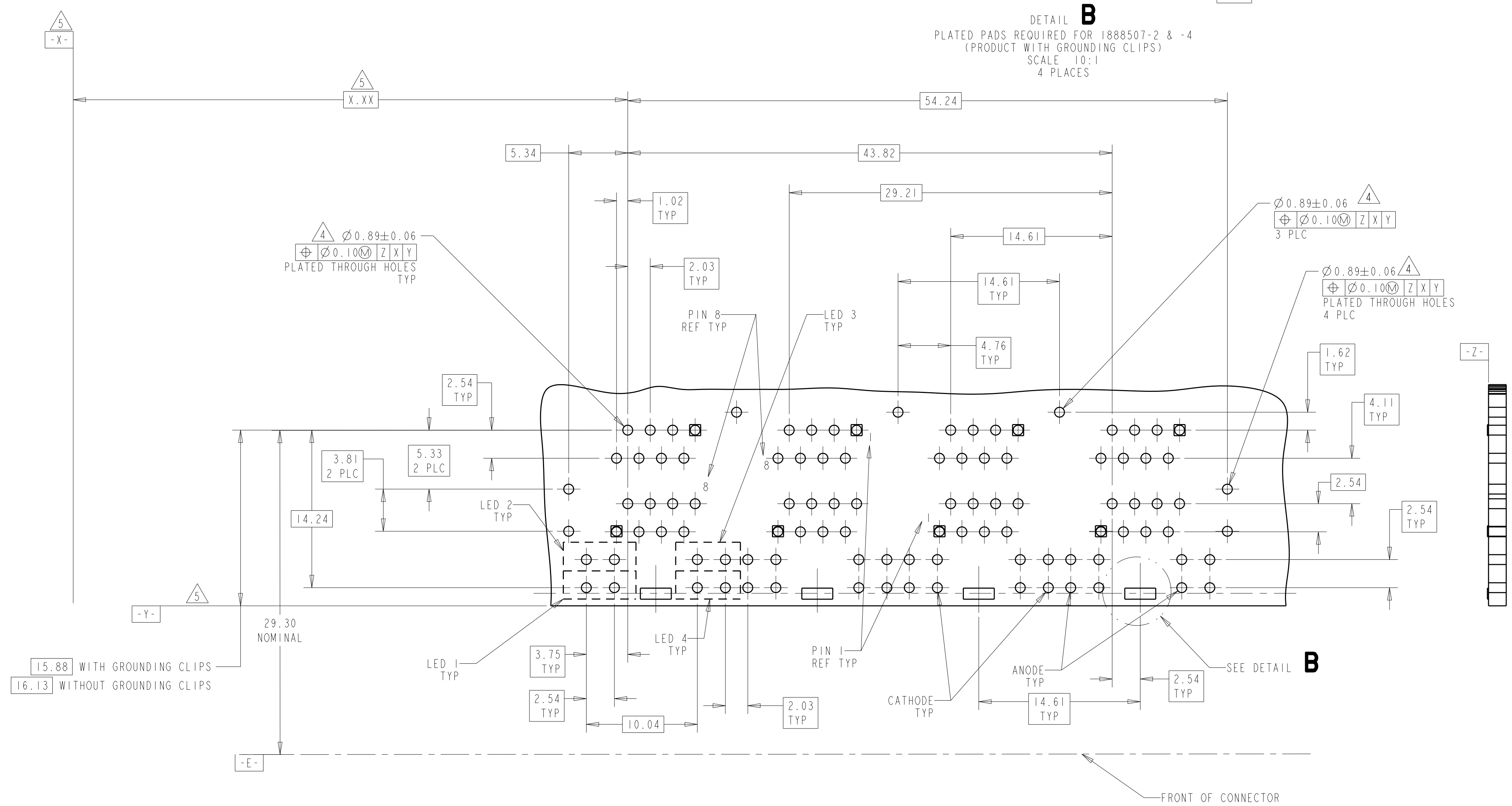
ATCA PANEL AND PRINTED CIRCUIT BOARD LAYOUT



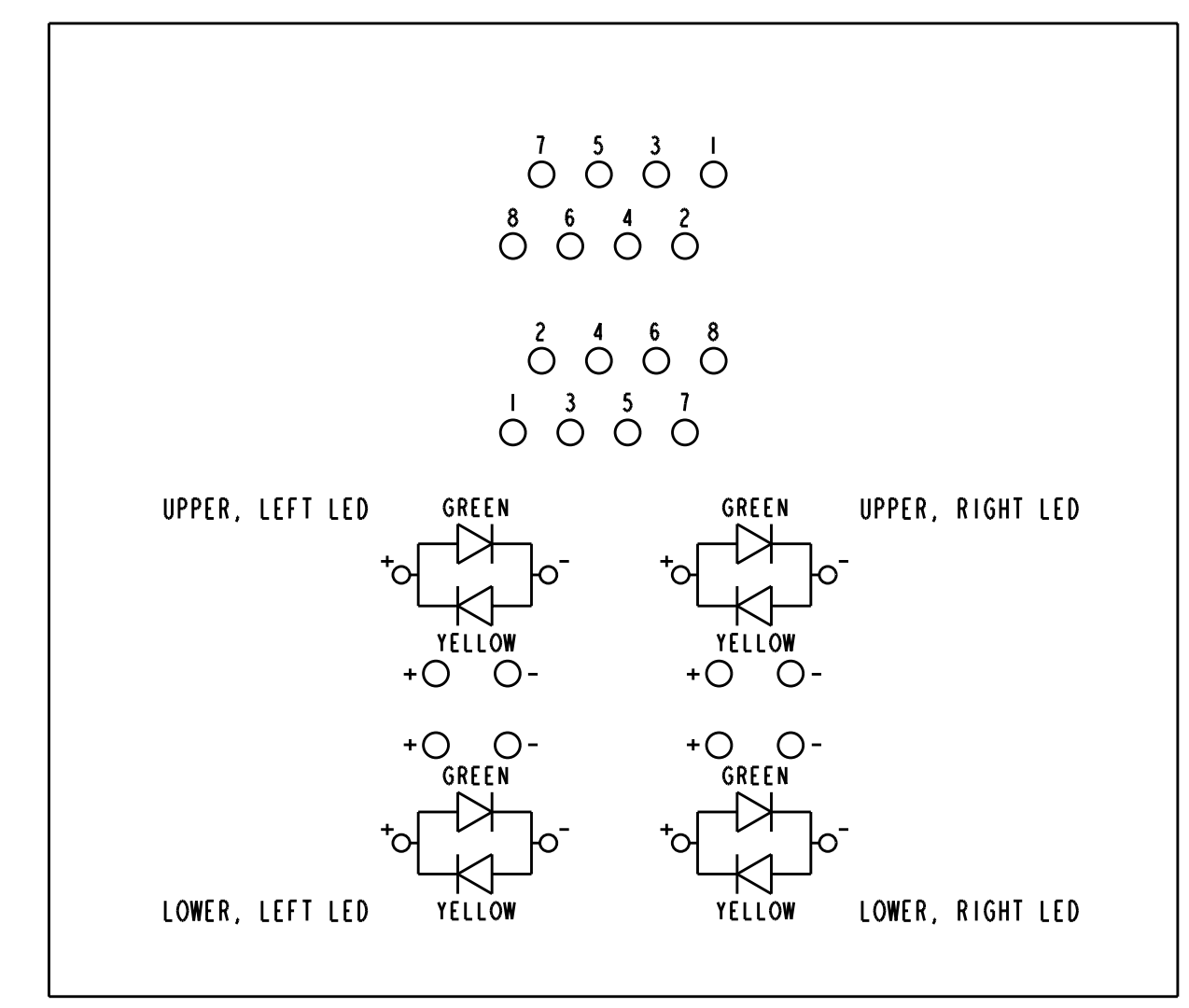
AMC PANEL AND PRINTED CIRCUIT BOARD LAYOUT



DETAIL B
 PLATED PADS REQUIRED FOR 1888507-2 & -4
 (PRODUCT WITH GROUNDING CLIPS)
 SCALE 10:1
 4 PLACES



PC BOARD LAYOUT
 (COMPONENT SIDE)



BI-COLOR LED SCHEMATIC
 FOR 1888507-4, 5
 SCALE 4:1

| | | | | |
|---|----------------------|----------------------------|------------------------------|---|
| THIS DRAWING IS A CONTROLLED DOCUMENT. | | DWN R. SCHRUM/L. WATNER | 24OCT2006 | TE Connectivity |
| DIMENSIONS: mm | | CHK J. WESTMAN | 24OCT2006 | |
| TOLERANCES UNLESS OTHERWISE SPECIFIED: 9 PLC ± 2 PLC ±0.13 5 PLC ± 4 PLC ± ANGLES ±1 | | APVD S. FLICKINGER | 24OCT2006 | NAME STACKED MODULAR JACK ASSEMBLY, 2x4 OFFSET, WITH LEDS, 8 POSN, RJ45 SHIELDED, PANEL GROUNDS, CAT 5 |
| MATERIAL SEE NOTE 1 | FINISH SEE NOTE 1 | PRODUCT SPEC 108-1854 | APPLICATION SPEC 114-2160 | SIZE A1 |
| CUSTOMER DRAWING | | WEIGHT | CAGE CODE 00779 | DRAWING NO. C=1888507 |
| SCALE 4:1 | | SHEET 2 OF 2 | | REV B4 |