

(4) SLOTS FOR .50 [12.0] DIA. MTG. BOLTS FOR WALL MOUNTING

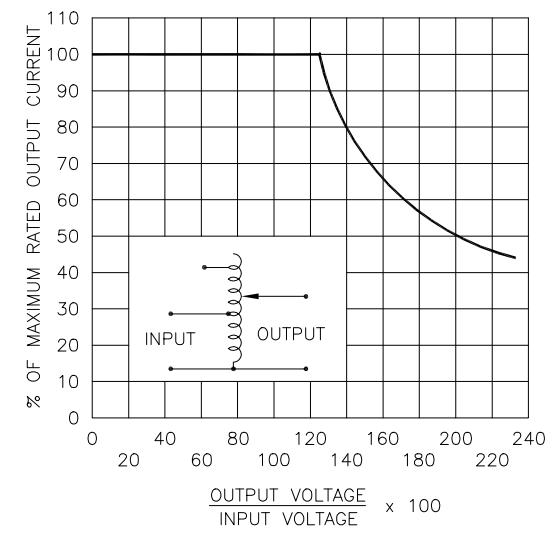
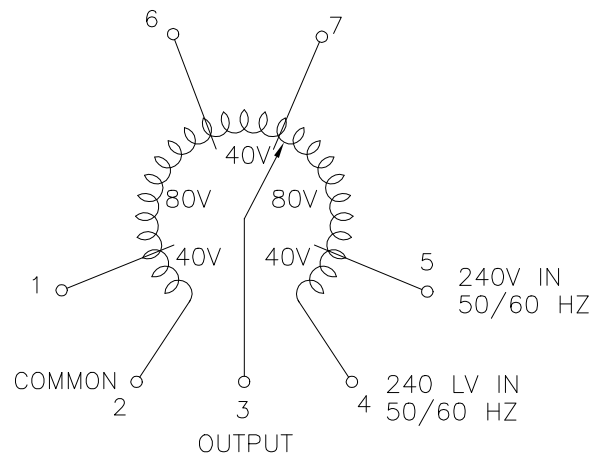


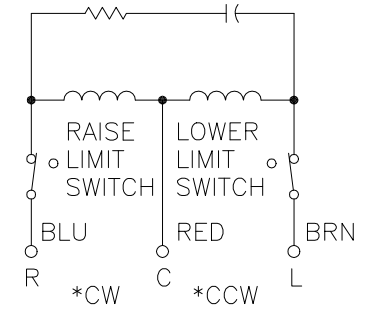
FIGURE A
 MAXIMUM OUTPUT CURRENT OF ANY DUAL INPUT VOLTAGE OR VOLTAGE DOUBLER UNIT OPERATED AT LOWER INPUT VOLTAGE.

* MAXIMUM OUTPUT CURRENT IN OUTPUT VOLTAGE RANGE FROM 0 TO 25% ABOVE LINE VOLTAGE. AT HIGHER OUTPUT VOLTAGES, OUTPUT CURRENT MUST BE REDUCED ACCORDING TO RATING CURVE, FIGURE A.
 ++ MAXIMUM KVA AT MAXIMUM OUTPUT AND CORRESPONDING DE-RATED CURRENT. MAXIMUM KVA AT LOWER OUTPUT VOLTAGES MAY BE CALCULATED FROM RATING CURVE, FIGURE A.

V.D. = VOLTAGE DOUBLER.



SCHEMATIC
 VIEW FROM BASE END



MOTOR CIRCUIT
 120V, 50/60 HZ
 * ROTATION AS VIEWED FROM MOTOR END
 MOTOR SPEED: SEE CHART

SPEED (SECONDS)	MODEL NUMBER
5	5M5021CT
15	15M5021CT
30	30M5021CT
60	60M5021CT

SPECIFICATIONS									
WIRING	INPUT		OUTPUT			SHAFT ROTATION FOR INCREASE VOLTAGE	TERMINAL CONNECTIONS		
	VOLTS	HERTZ	VOLTS	MAX. AMPS	MAX. KVA		FOR INCREASING VOLTAGE AS VIEWED FROM ROTOR END		
SINGLE PHASE	240	50/60	0-240	28	6.7	CW	INPUT	JUMPER	OUTPUT
			0-280	28	7.8		2-4	---	2-3
	120	50/60	0-280	28	3.4 †	CCW	4-2	---	4-3
			0-280	28 [*]	3.4 †		2-5	---	2-3

UNLESS OTHERWISE SPECIFIED, TOLERANCE IS # DECIMALS Holes .002 ANGLES 1° DRAFT 1-1/2° UNITS IN [mm]

MATERIAL: ALL DIMENSIONS APPLY AFTER PLATING

TITLE: SPEC. CONTROL DWG. VARIABLE TRANSFORMER TYPE: M5021CT

STACO ENERGY PRODUCTS CO. DAYTON, OHIO U.S.A.

DRAWN BY: TIM RAU DATE: 12/14/95 FIRST USED ON: DO NOT SCALE DWG. CUSTOMER APPROVAL: DATE:

CHECKER: DATE: WEIGHT APPROX. CODE IDENT. NO. 83008 DWG. SIZE: D DWG. NO. 031-7599

ENGINEER: DATE: SCALE: .5=1 SHEET 1 OF 1