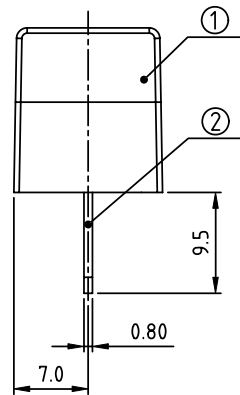
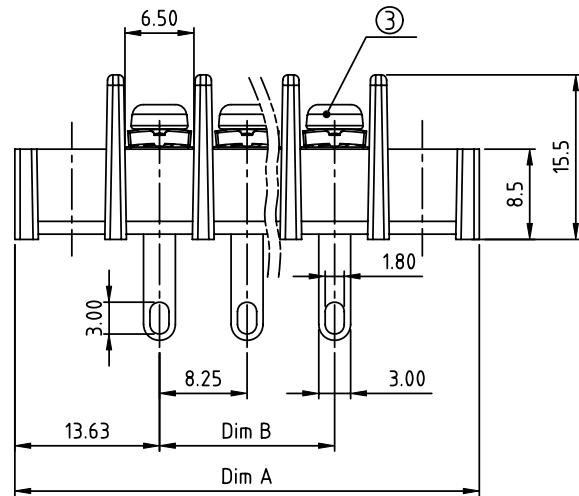
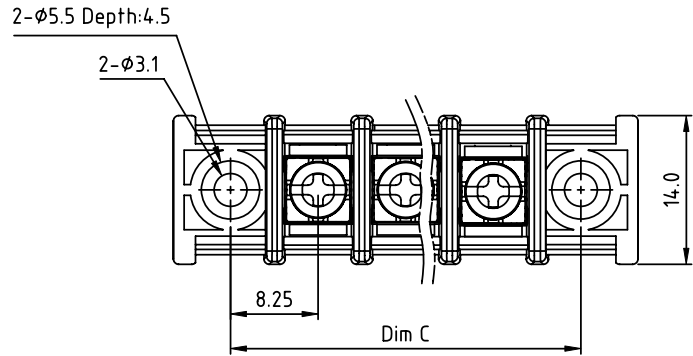


PRODUCT NUMBER	PITCH
YK413xx3x0J0G	8.25 mm



MATERIALS & ELECTRICAL  
 RATED VOLTAGE & CURRENT: 300 V, 20 A  
 WITHSTAND VOLTAGE: AC 2000 V/Min  
 INSULATION RESISTANCE: 1000 MΩ OR MORE AT DC 500 V  
 OPERATING TEMPERATURE RANG: -40 °C ~ +115 °C  
 SCREW TORQUE VALUE: 8.8 Lb-In.  
 WIRE RANGE: 22 - 12 AWG  
 1) HOUSING: THERMOPLASTIC, UL 94 V-0 BLACK  
 2) TERMINAL: BRASS, 0.8t  
 3) TERMINAL SCREWS: STEEL, M3  
 APPROVAL: us

DIMENSION

Dim A	(N+2)×8.25+2.5
Dim B	(N-1)×8.25
Dim C	(N+1)×8.25

N=Number of poles

Poles	Tolerance
2p-5p	±0.25
6p-10p	±0.35
11p-18p	±0.40
19p-30p	±0.50

PART NO.: YK 413xx 3 x 0 J0G

No. of poles	Code	Terminal	Screw
02 2 poles	0	G/F	G/F
03 3 poles	1	G/F	Zinc
...	2	Tin	G/F
30 30 poles	3	Tin	Zinc

Plated

RoHS compliant (lead<4%)  
In copper Alloy

mat'l. code		surface ASME Y14.5 ✓	tolerance ASME Y14.5	projection	product family
ltr	ecn no	dr	date		TERMINAL BLOCK
tolerances unless otherwise specified				MM	title
angles	φ	X.±0.5		scale	TERMINAL BLOCK
±	±	X.X±0.3			BARRIER TYPE, WITH FLANGE
X*±1*					dwg no
dr	EVAN LU		061314		sheet 1 of 1
enr	EVAN LU		061314		size
chr	HANKE FENG		061314		YK413xx3x0J0G
appd	SHI JUN		061314		A4
sheet index	revision	A		type	CUSTOMER Drawing
	sheet	1			