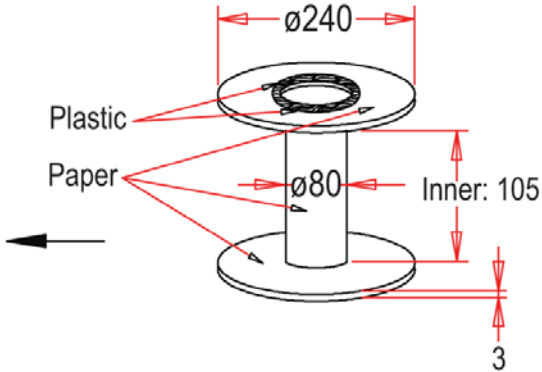
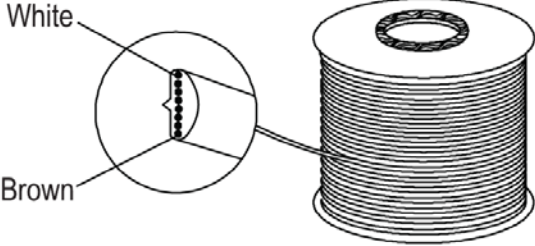


Sec: A - A



500Ft/R. "PE" Foam Wrapped

Voltage rating: 30V (DC)

Unit: MM



Scale	1:1						Name
TOLERANCE					Drawn	11.18.11	Chappell
X.X	±0.40				Approved		
X.XX	±0.25						
X.XXX	±0.15						
Angle	±3°						



Item No. **AT-K-26-8-W/500**

Title Modular Straight cable - Raw, 8 Contact, 26AWG, White, 500Ft

Drawing No. **rev00**

Replace Sheet