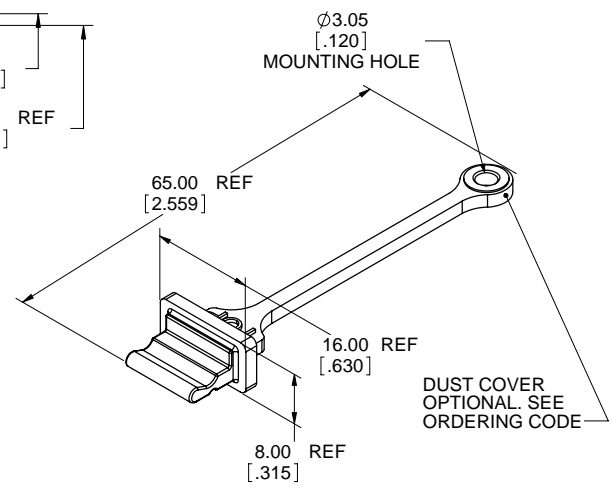
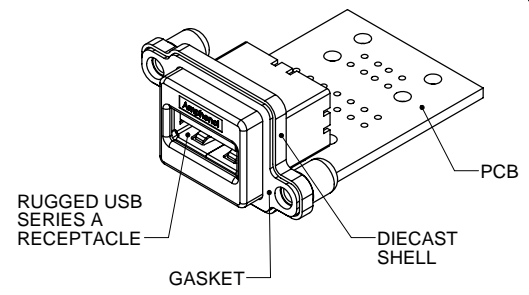
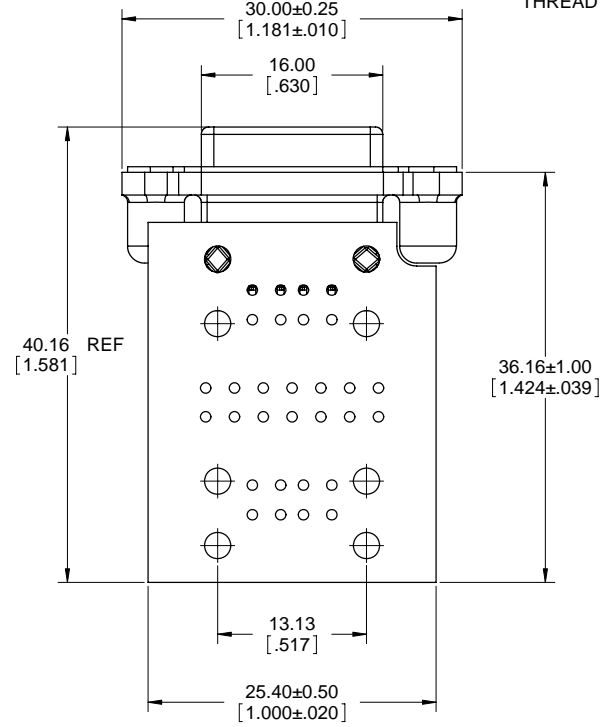


REVISIONS			
REV	DESCRIPTION, ECN, EAR NO.	DATE	APP'D
C	PRODUCT DRAWING (EAR 13532)	JUN10/09	K.L.



5.50 [.217] DEEP THREADED HOLES. SEE ORDERING CODE THREAD OPTION



- NOTES:
- MATERIAL:
 - ALL MATERIALS ARE RoHS COMPLIANT PER EU DIRECTIVE 2002/95/EC AND AMENDMENTS.
 - OUTER SHELL - DIECAST ZINC ALLOY, NICKEL PLATED.
 - CONTACTS - PHOSPHOR BRONZE, PLATED WITH 0.76 MICRONS (30 MICROINCHES) GOLD OVER 1.27 MICRONS (50 MICROINCHES) MINIMUM NICKEL ON THE MATING AREA WITH MATTE TIN OVER NICKEL ON THE TAILS.
 - USB HOUSING - ENGINEERING THERMOPLASTIC, HIGH TEMPERATURE RESISTANT, FLAMMABILITY RATING UL94V-0 BLACK.
 - USB SHIELD & BACK COVER - COPPER ALLOY, NICKEL PLATED.
 - GASKET - SILICONE RUBBER, BLACK.
 - PCB - FR-4 FIBERGLASS, LEAD FREE.
 - DUST COVER - SILICONE RUBBER WITH NICKEL PLATED BRASS BUSHING. SEE ORDERING CODE FOR DUST COVER OPTIONS.
 - ENVIRONMENTAL PERFORMANCE PER IEC 60529 CODE IP67 FOR SEAL BETWEEN MATING AREA AND PCB SIDE OF CONNECTOR. GASKET PROVIDES SEAL TO INSIDE FACE OF ENCLOSURE PANEL. AVAILABLE DUST COVER PROVIDES ADDED PROTECTION.
 - CURRENT RATING: 1.5 AMPERES
 - CONTACT RESISTANCE: 50 MILLIOHMS MAXIMUM (SUBJECT TO VERIFICATION)
 - OPERATING TEMPERATURE: -40 °C to +105 °C
 - DUST COVERS MAY BE ORDERED SEPARATELY, SPECIFY
 - MUSB-2A111-014BP FOR GREY DUST COVER
 - MUSB-2A111-024BP FOR BLACK DUST COVER
 SEE SHEET 2 FOR APPLICATION VIEW

ORDERING CODE: M U S B - A A 1 1 - X X

SERIES, RUGGED USB _____
 USB SERIES 'A' RECEPTACLE, RIGHT ANGLE ON PCB WITH HOLES FOR WIRING _____
 THREAD OPTION _____
 3 = #4-40 UNC THREAD
 M = M3 x 0.5 THREAD _____
 DUST COVER OPTION _____
 0 = NO DUST COVER SUPPLIED
 1 = WITH GREY DUST COVER SUPPLIED
 5 = WITH BLACK DUST COVER SUPPLIED

UNLESS SPECIFIED OTHERWISE	DRAWN	S.SEMENOV	FEB28/07
PRIMARY UNITS MILLIMETERS	CHECKED	K.LAMBIE	FEB28/07
SECONDARY UNITS INCHES	M.E. APP'D		
REFERENCE IN PARENTHESES	Q.A. APP'D		
GENERAL TOLERANCES	DWG APPR.	A.GREEN	FEB28/07
1 DECIMAL PLACE	ENG. REL. NO.	EAR 13532	
2 DECIMAL PLACES ±0.15	REF.		
3 DECIMAL PLACES	THIRD ANGLE PROJECTION		
ANGULAR DEGREES	DO NOT SCALE DRAWING		

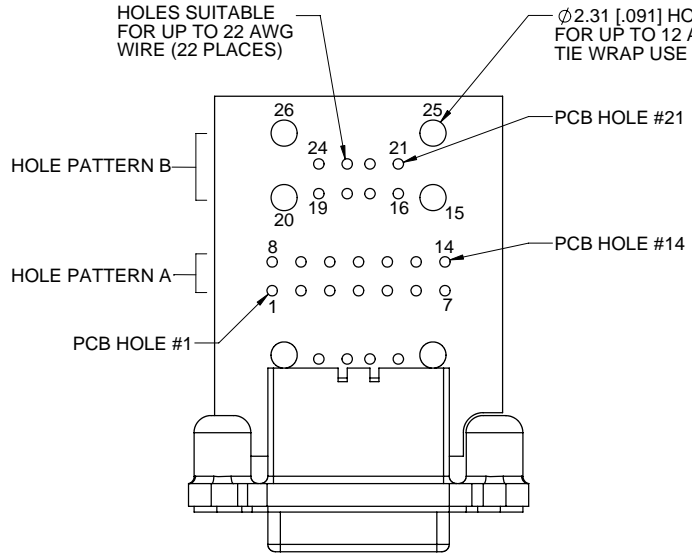
Amphenol Canada Corp.

MUSB RUGGED SERIES A USB RECEPTACLE, RIGHT ANGLE, ON PCB WITH HOLES FOR WIRING THREAD AND DUST COVER OPTIONS, RoHS COMPLIANT

DWG. NO. **P-MUSB-AA11-XX** REV **C**

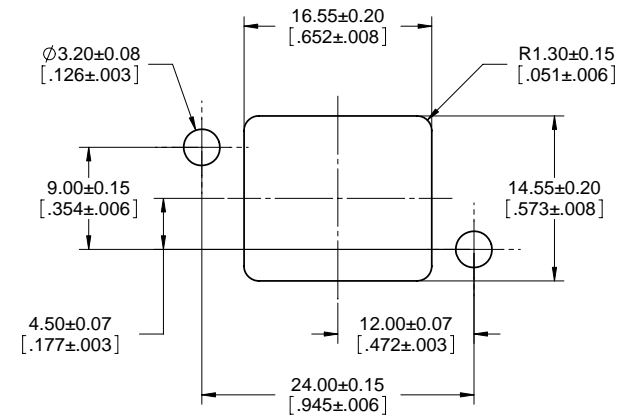
CODE ID NO. 03554 DWG SIZE: C SCALE: 3:1 SHEET 1 OF 2

REVISIONS			
REV	DESCRIPTION, ECN, EAR NO.	DATE	APP'D
C	PRODUCT DRAWING (EAR 13532)	JUN10/09	K.L.

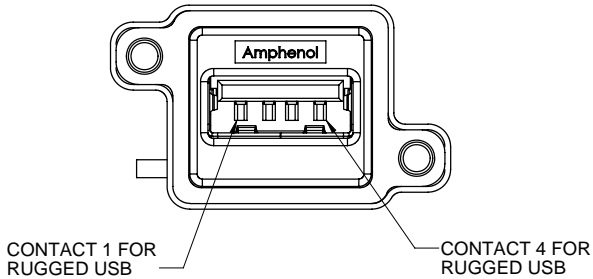


RUGGED USB TO PCB CONNECTION CHART		
RUGGED USB RECEPTACLE	PCB HOLE PATTERN A	PCB HOLE PATTERN B
SHELL/GROUND	HOLE 1	HOLES 15, 20, 25 OR 26
CONTACT 1	HOLE 14	HOLE 21
CONTACT 2	HOLE 13	HOLE 22
CONTACT 3	HOLE 12	HOLE 23
CONTACT 4	HOLE 11	HOLE 24

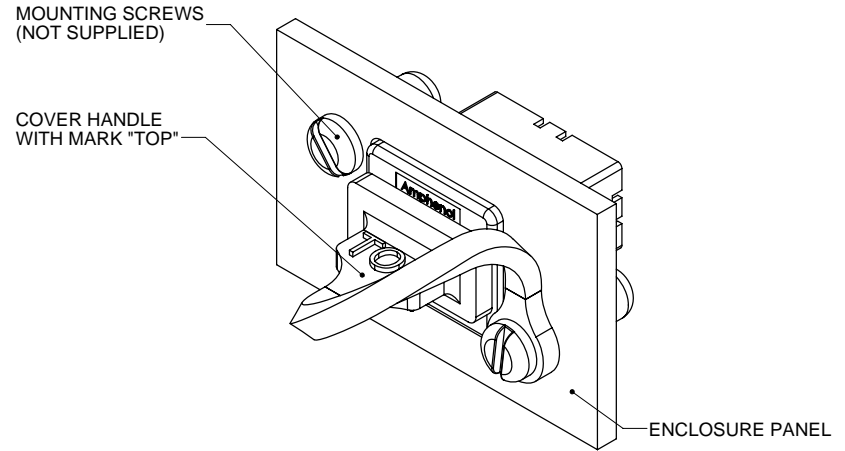
WIRES MAY BE CONNECTED TO HOLE PATTERN A OR B OR A COMBINATION OF THE TWO PATTERNS



RECOMMENDED PANEL CUTOUT
(OUTSIDE VIEW OF PANEL)



MUSB CONTACT ASSIGNMENT



DUST COVER APPLICATION



UNLESS SPECIFIED OTHERWISE	DRAWN	S.SEMENOV	FEB28/07
PRIMARY UNITS MILLIMETERS	CHECKED	K.LAMBIE	FEB28/07
SECONDARY UNITS INCHES	M.E. APP'D		
REFERENCE IN PARENTHESES	Q.A. APP'D		
GENERAL TOLERANCES	DWG APPR.	A.GREEN	FEB28/07
1 DECIMAL PLACE	ENG. REL. NO.	EAR 13532	
2 DECIMAL PLACES ±0.15	REF.		
3 DECIMAL PLACES	THIRD ANGLE PROJECTION		
ANGULAR DEGREES	DO NOT SCALE DRAWING		

Amphenol Canada Corp.

MUSB RUGGED SERIES 'A' USB RECEPTACLE, RIGHT ANGLE, ON PCB WITH HOLES FOR WIRING, THREAD AND DUST COVER OPTIONS, RoHS COMPLIANT

DWG. NO. **P-MUSB-AA11-XX** REV **C**

CODE ID NO. 03554 | DWG SIZE: C | SCALE: 3:1 | SHEET 2 OF 2