

THIS DRAWING IS UNPUBLISHED. RELEASED FOR PUBLICATION 20  
 © COPYRIGHT 20 BY - ALL RIGHTS RESERVED.

REVISIONS				
P	LTR	DESCRIPTION	DATE	APVD
B		ECR-16-010100 UPDATE NAME	14JUL2016	L.Z X.X
B1		ECR-18-008476,ADD PCB LAYOUT	08JUN2018	G.W C.W

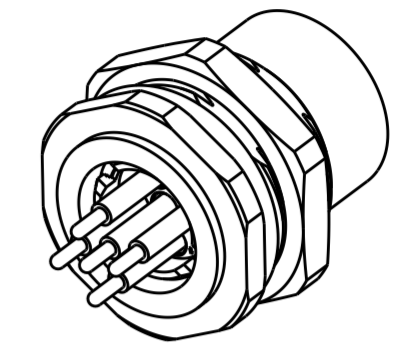
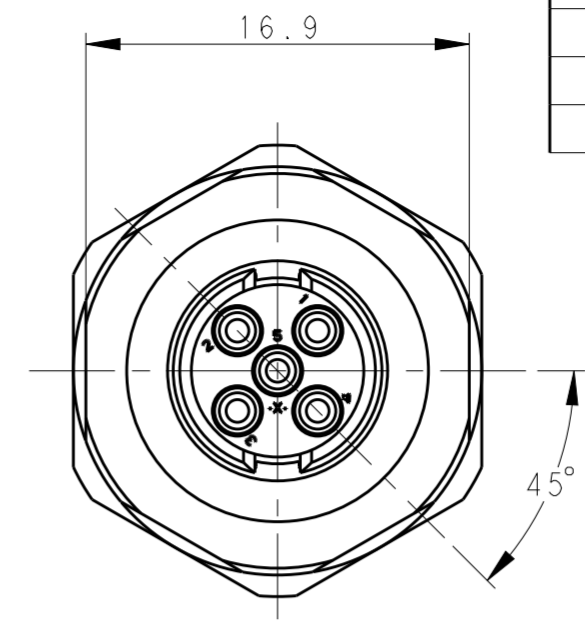
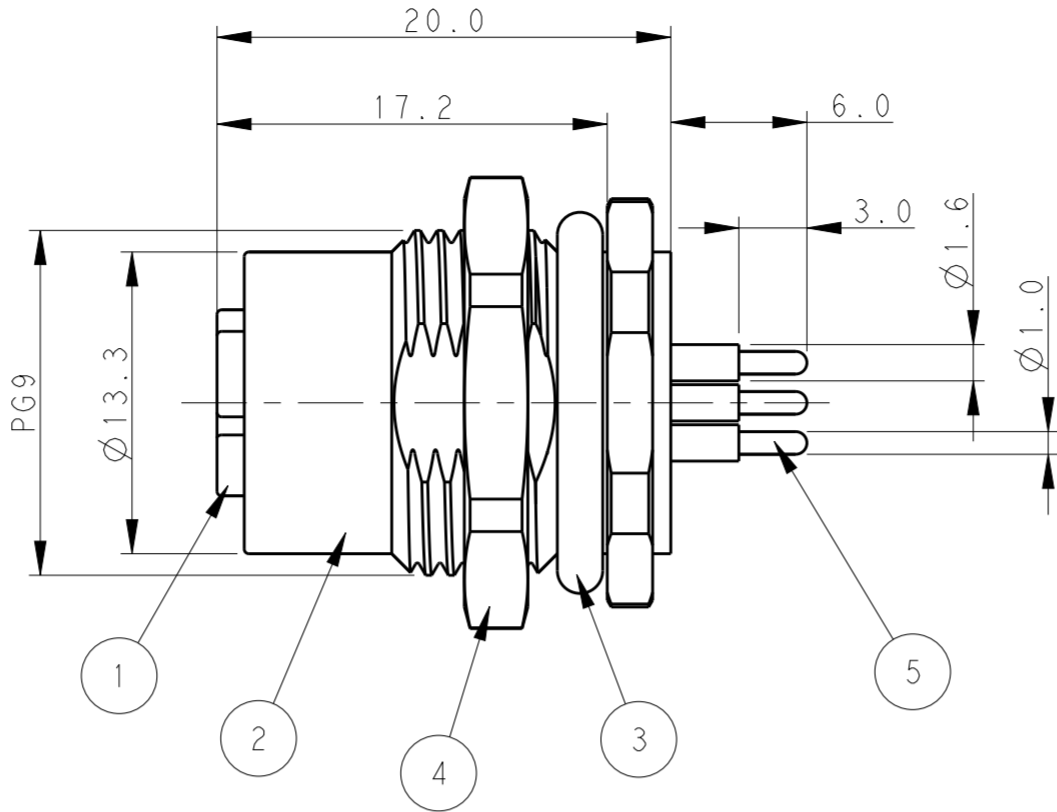
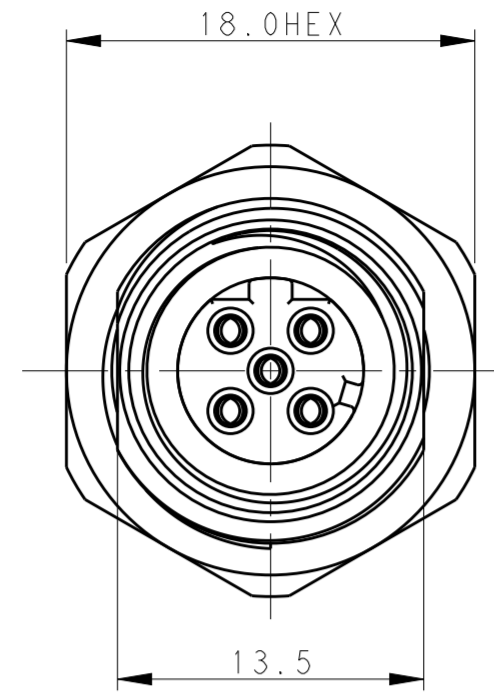
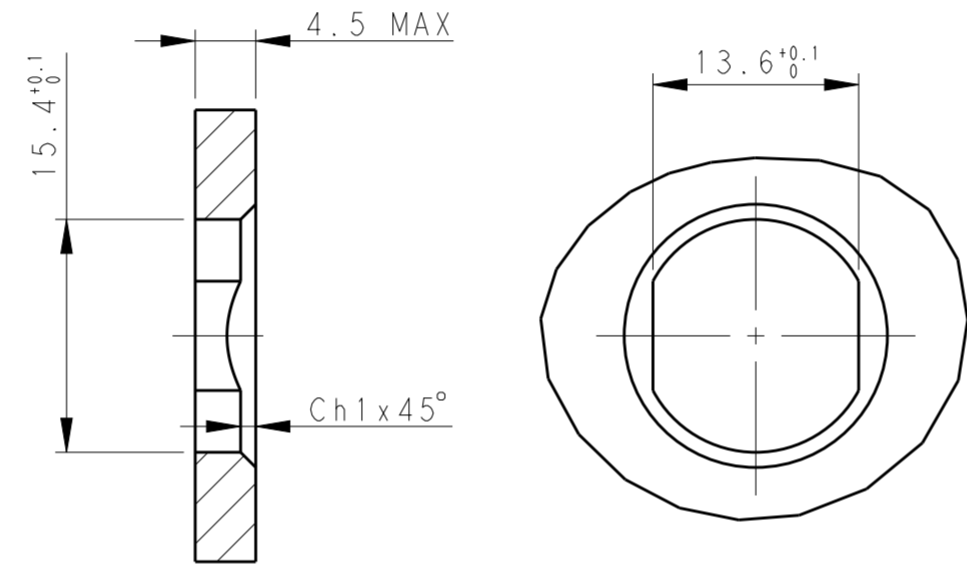


TABLE 1

TECHNICAL DATA	T4141512021-000	T4141512031-000	T4141512041-000	T4141512051-000
RATED VOLTAGE	250V	250V	250V	60V
RATED CURRENT	4A	4A	4A	4A
POLLUTION DEGREE	3	3	3	3
OVERVOLTAGE CATEGORY	II	II	II	II
MATERIAL GROUP	II	II	II	II
CONTACT RESISTANCE	<=10mΩ	<=10mΩ	<=10mΩ	<=10mΩ
INSULATION RESISTANCE	>100MΩ	>100MΩ	>100MΩ	>100MΩ
DEGREE OF PROTECTION	IP67	IP67	IP67	IP67
OPERATION TEMPERATURE	-40~85°C	-40~85°C	-40~85°C	-40~85°C



RECOMMENDED PANEL CUTOUT

NOTE:  
 1. TECHNICAL DATA: SEE TABLE 1  
 2. RECOMMENDED MOUNT PANEL SEE DETAIL  
 3. PRODUCT COMPLIES WITH IEC61076-2-101  
 4. PLASTIC INERT MATERIAL:UL LISTED WITH UL94V0 FLAME RATING  
 5. ALL MATERIALS TO BE ROHS COMPLIANT  
 6. ALL MATERIALS TO BE REACH COMPLIANT  
 7. PN INFORMATION FOR ASSEMBLY PARTS

注释:  
 1: 技术参数,见表1  
 2: 推荐开孔尺寸详见如图所示  
 3: 产品符合标准IEC61076-2-101  
 4: 塑胶材料符合UL标准,UL-94V0阻燃等级  
 5: 所有材料符合ROHS参照标准TEC-138-705  
 6: 所有材料符合REACH参照标准TEC-138-705  
 7: 成品料号信息如下:

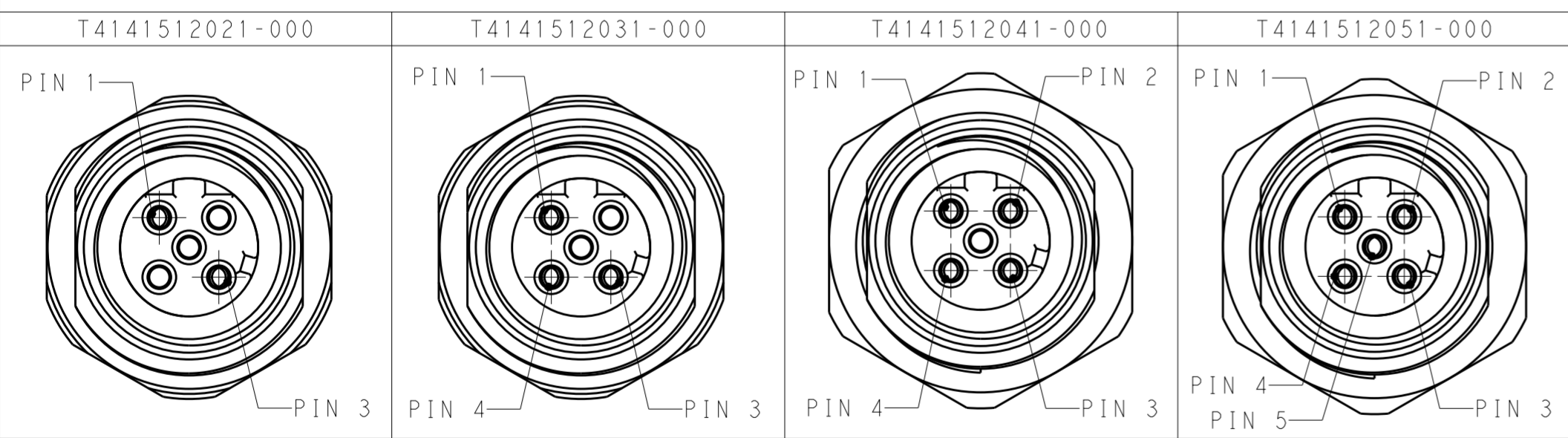
T41415120X1-000

CONTACT FINISH:  
 1: GOLD 3u''  
 NUMBER OF PINS:  
 02: 2 PINS  
 03: 3 PINS  
 04: 4 PINS  
 05: 5 PINS

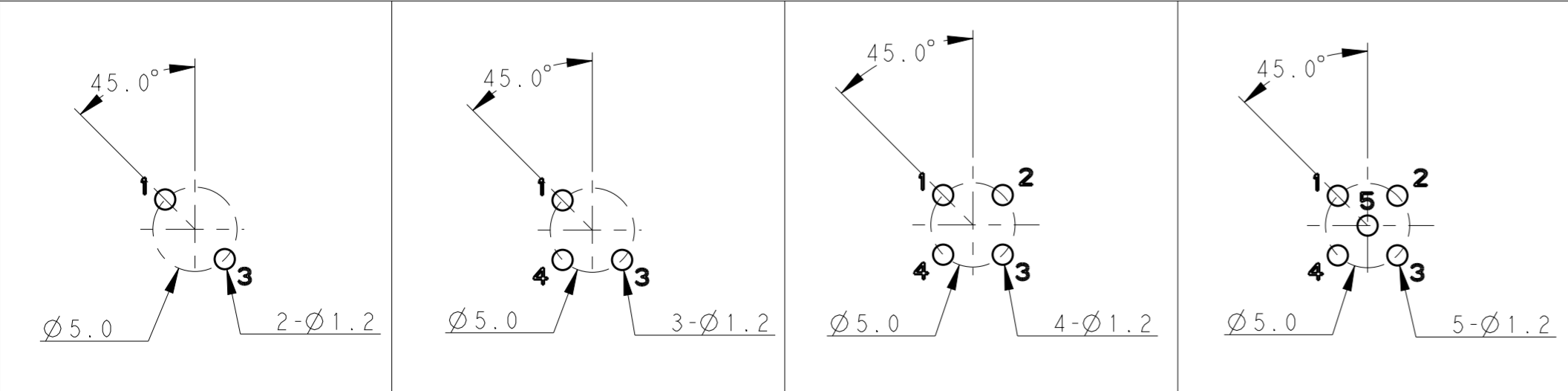
T41415120X1-000

端子电镀:  
 1: 3u''金  
 针数:  
 02: 2 针  
 03: 3 针  
 04: 4 针  
 05: 5 针

PIN ARRANGEMENT D-CODE



RECOMMENDED DRILLING DIAGRAM



PLATING	MATERIAL	DESCRIPTION	ITEM
3u'' GOLD MIN.	COPPER ALLOY	CONTACT	5 2 3 4 5
200u'' NICKEL MIN.	COPPER ALLOY	METAL NUT	4 1 1 1 1
-	-	O-RING	3 1 1 1 1
200u'' NICKEL MIN.	COPPER ALLOY	M12, MALE, METAL BODY	2 1 1 1 1
-	PA66	M12, MALE HSG	1 1 1 1 1

THIS DRAWING IS A CONTROLLED DOCUMENT. DWN BO GAO 16FEB2016  
 CHK KOBBY ZHAO 16FEB2016  
 APVD XIANG XU 16FEB2016

**STE** TE Connectivity

NAME: M12 PANEL MOUNT CONNECTOR D CODE, FEMALE, REAR MOUNTING PCB SOLDERING

PRODUCT SPEC: 108-106140  
 APPLICATION SPEC: -  
 WEIGHT: -

SIZE: A2 CAGE CODE: - DRAWING NO: T41415120X1000 RESTRICTED TO: -  
 SCALE: 3:1 SHEET 1 OF 1 REV: B1