



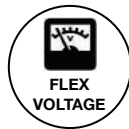
# PML50 Series

## 0.688" (17.5mm) Low Profile LED

### FlexVolt™ Panel Mount Indicator



PML50 Series with built-in LED FlexVolt™ technology offers daytime visibility, easy installation in harsh environments



## Applications

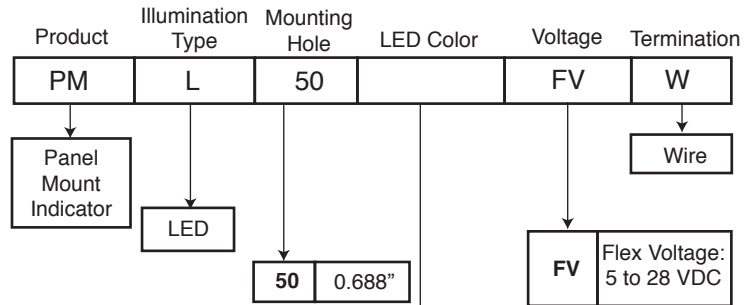
- Industrial
- Transportation
- People Movers
- Automation and Control
- Maritime, Oil and Gas Industry
- Safety and Emergency Applications
- Slot, Gaming and Vending Machines
- Outdoor Applications

## Key Features

- For panel hole diameter: 0.688" (17.5mm)
- Low profile semi dome lenses for uniform illumination
- Mounting hardware provided: lock washer and hex nut.
- Clear transparent lenses and high brightness LEDs produce daylight and outdoor visibility.
- Designed for extreme harsh and outdoor environments.
- Available in five solid colors (red, green, white, blue and yellow) and one bicolor (red/green).
- Resistant to shock and vibration.
- Flex voltage (5 VDC to 28 VDC) designed for application flexibility: one solution for several required input voltages.
- Wide viewing angle.
- Maximum installation torque: 15in/lb.
- D mounting hole to prevent rotation.
- IP67 protection rating protect panels against entry of dust and moisture.
- Long lifetime, up to 100k hours
- Retrofit solution: save energy and reduce costs.
- Please contact us for modified standard options (e.g. quick connection, wire length).
- RoHS and REACH Compliant.

## Ordering Data

The PML50 Series is available in a range of standard features and options. To specify your Panel Mount Indicator, select one option from each column.

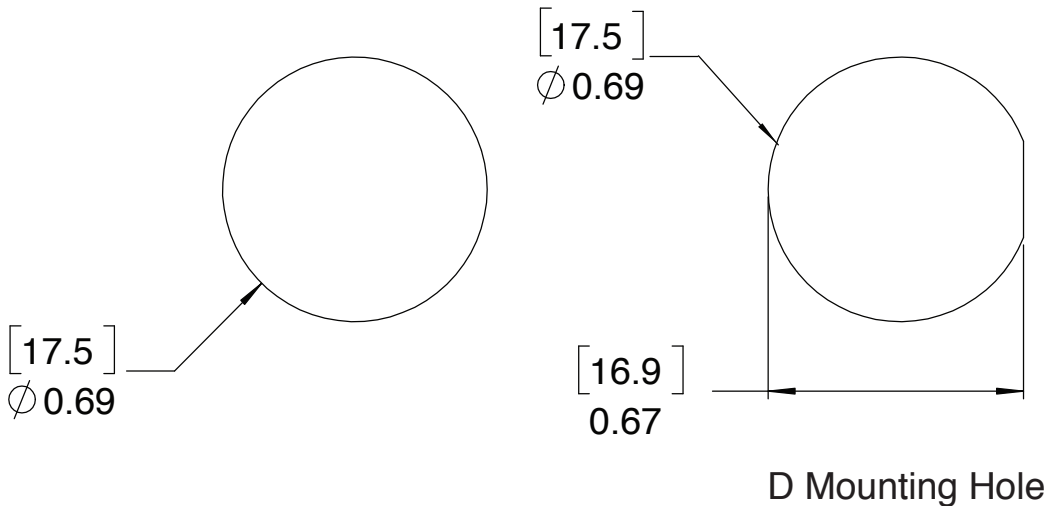


Part Numbers	Color
PML50RFVW	Red
PML50WFVW	White
PML50GFVW	Green
PML50BFVW	Blue
PML50YFVW	Yellow
PML50RGFVW	Red/Green

B	Blue
G	Green
R	Red
W	White
Y	Yellow
RG	Red/Green

## Product Dimensions

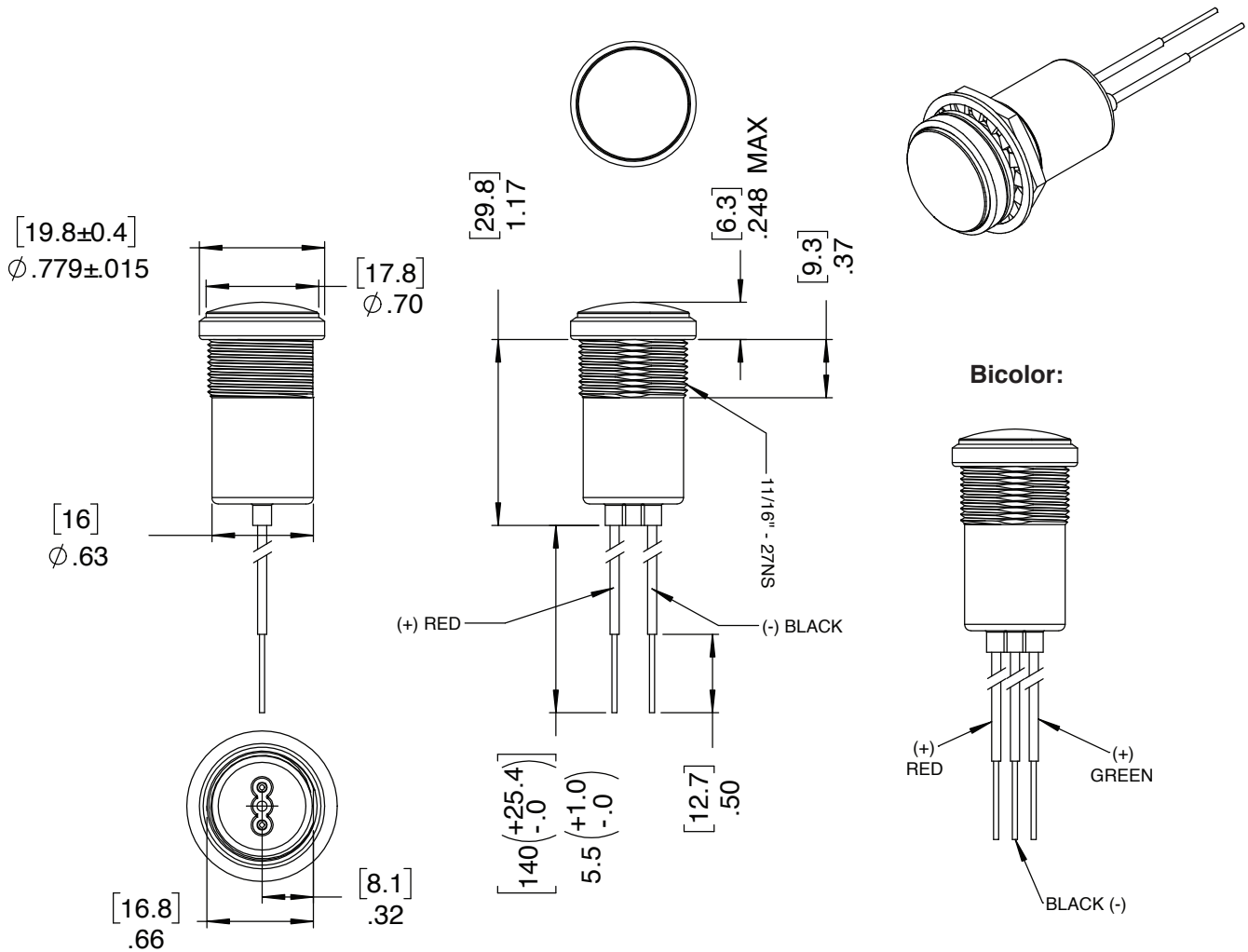
### Recommended Mounting Hole



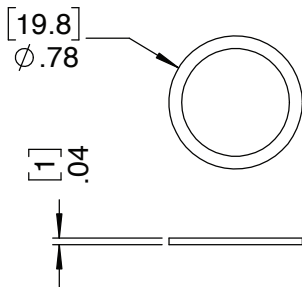
### Notes:

1. All dimensions are in [millimeters] inches.
2. Tolerance is  $\pm$ [0.25] 0.01 unless otherwise noted.
3. The specifications, characteristics and technical data described in the datasheet are subject to change without prior notice.

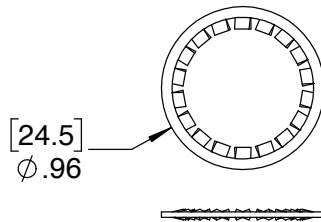
# Product Dimensions



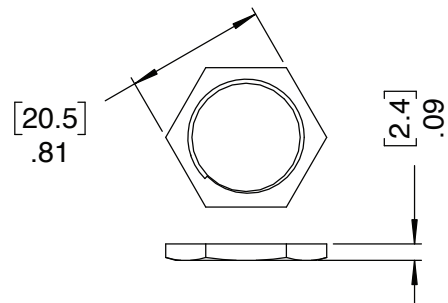
Gasket (already assembled):



Lock Washer:



Hex Nut:



**Notes:**

1. All dimensions are in [millimeters] inches.
2. Tolerance is  $\pm [0.25] 0.01$  unless otherwise noted.
3. The specifications, characteristics and technical data described in the datasheet are subject to change without prior notice.

## Product Specifications

Materials	
Housing	White Polycarbonate UL 94 V-0
Lens	Transparent Polycarbonate UL94 V-0
Bezel	Plated, Black Color Finish
Wire Leads	Tinned Copper Conductor PVC Insulation
Washer (installed)	EPDM rubber
Lock Washer	SPCC, Nickel Plated
Hex Nut	Brass, Nickel Plated

Electrical Specifications	
Operating Voltage	5 VDC to 28 VDC (flex voltage)
Operating Current	20mA (max.)

Installation Specifications	
Mounting Hole ("D" Shape)	11/16" or 0.688" (17.46 mm)
Panel Thickness (max.)	0.156" (3.96 mm)
Wire Leads	24 AWG - UL1430 rated, 5.5" (140 mm) long, stripped .5" <b>Anode (+):</b> Red lead (Single Color) and Green and Red leads (Bicolor)
Mounting Torque	15 in-lbs (17.28 kg-cm)

Temperature Specifications	
Operating Temperature	-25°C to +80°C -13°F to +176°F
Storage Temperature	-30°C to +100°C -22°F to +212°F

## Optical Ratings\*

Part Number	Color	Luminance (fL)
PML50RFVW	Red	1150
PML50YFVW	Yellow	2700
PML50WFVW	White	3600
PML50GFVW	Green	4850
PML50BFVW	Blue	306
PML50RGFVW	Red/Green	1830/1820

\*Test Parameters: Voltage at 24VDC and Temperature at 25°C or 77°F

## Compliances and Approvals

