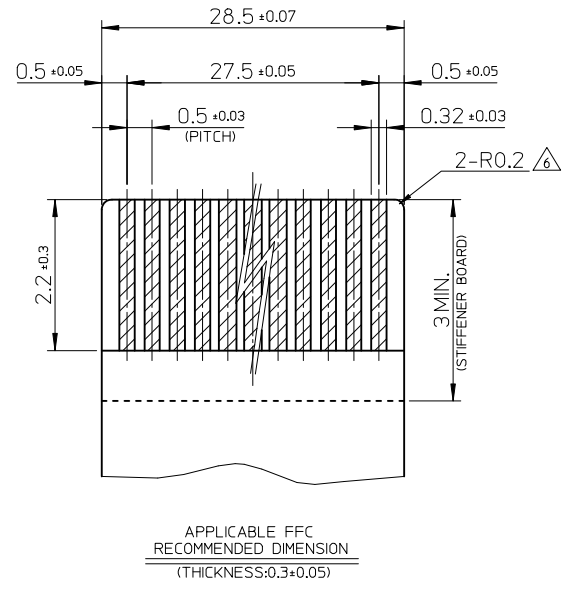
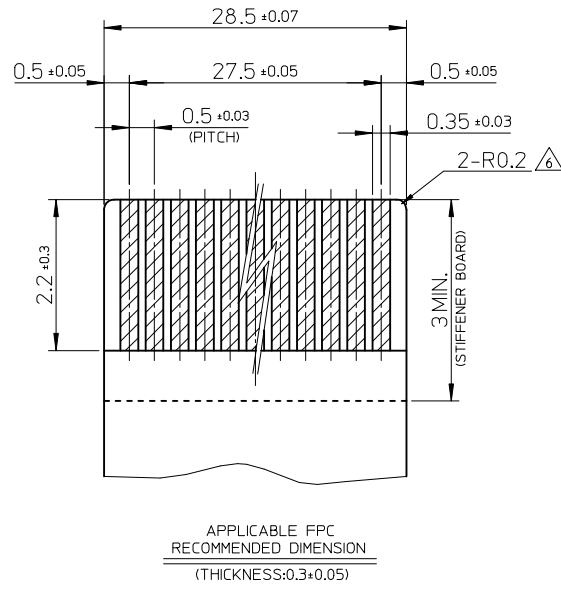
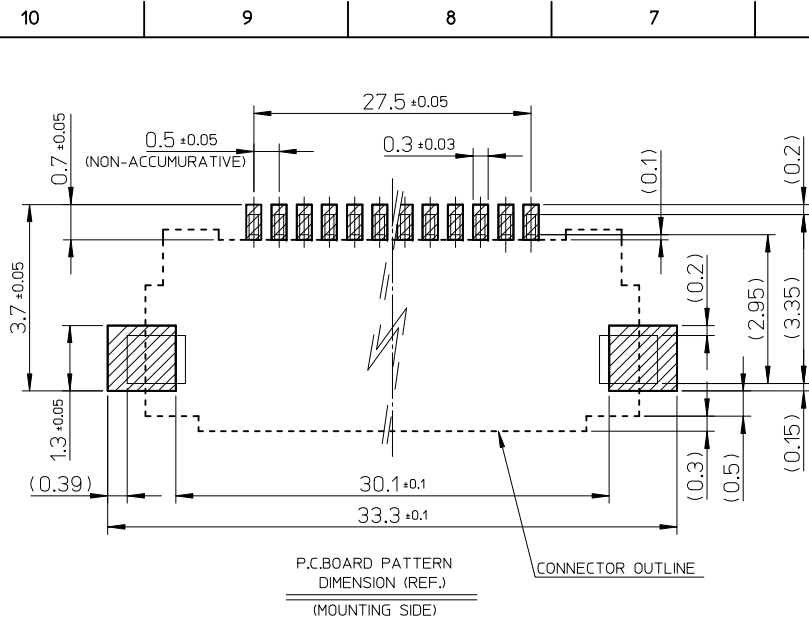


1041125617	56
ORDER No.	Ck1

NEW RELEASED EC NO: KOR2013-0022 DRWN: JHCHANG 2012/08/16 CHKD: APPR: YSK1M02 2012/08/31	QUALITY SYMBOLS	GENERAL TOLERANCES (UNLESS SPECIFIED) <table border="1"> <tr> <th></th> <th>mm</th> <th>INCH</th> </tr> <tr> <td>4 PLACES</td> <td>± ---</td> <td>± ---</td> </tr> <tr> <td>3 PLACES</td> <td>± 0.005</td> <td>± ---</td> </tr> <tr> <td>2 PLACES</td> <td>± 0.05</td> <td>± ---</td> </tr> <tr> <td>1 PLACE</td> <td>± 0.1</td> <td>± ---</td> </tr> </table> ANGULAR ± 1 °		mm	INCH	4 PLACES	± ---	± ---	3 PLACES	± 0.005	± ---	2 PLACES	± 0.05	± ---	1 PLACE	± 0.1	± ---	DIMENSION STYLE	SCALE	DESIGN UNITS	THIRD ANGLE PROJECTION
			mm	INCH																	
	4 PLACES		± ---	± ---																	
	3 PLACES		± 0.005	± ---																	
2 PLACES	± 0.05	± ---																			
1 PLACE	± 0.1	± ---																			
		MM ONLY		METRIC																	
		DRAWN BY: JHCHANG DATE: 2012/08/16	TITLE	0.5MM FPC/FFC FRONTFLIP SLIM CONN. 56P (H=1.5) HOUSING ASS'Y																	
		CHECKED BY: KSK1M DATE: 2012/08/16	MOLEX INCORPORATED																		
		APPROVED BY: YSK1M02 DATE: 2012/08/31	MATERIAL NO.	DOCUMENT NO.	SHEET NO.																
		DRAFT WHERE APPLICABLE MUST REMAIN WITHIN DIMENSIONS	SEE TABLE	SD-104112-001	1 OF 3																
			SIZE: A3	THIS DRAWING CONTAINS INFORMATION THAT IS PROPRIETARY TO MOLEX INCORPORATED AND SHOULD NOT BE USED WITHOUT WRITTEN PERMISSION																	



NOTES

1. MATERIAL

HOUSING LCP GLASS FILLED,UL94V-0(NATURAL)
 ACTUATOR PPS GLASS FILLED,UL94V-0(BLACK)
 (CHLORINE CONTROLLED MATERIAL)
 TERMINAL PHOSPHOR BRONZE
 FITTING NAIL PHOSPHOR BRONZE

2. PLATING

TERMINAL : SELECTIVE GOLD[Au] OVER NICKEL[Ni] PLATING.
 CONTACT AREA : GOLD[Au] 0.1 MICROMETER MIN. OVER
 NICKEL[Ni] 1.0 MICROMETER MIN.(UNDER PLATING)
 SOLDER AREA : GOLD[Au] 0.05 MICROMETER MIN. OVER
 NICKEL[Ni] 1.0 MICROMETER MIN.(UNDER PLATING)
 FITTING NAIL : TIN[Sn] OVER NICKEL[Ni] PLATING.
 Tin[Sn] 1~3 MICROMETER.
 NICKEL[Ni] 1~3 MICROMETER (UNDER PLATING)

3. PRODUCT SPECIFICATION : PS-104112-001
 PACKING SPECIFICATION : PK-104112-001
 4. ACTUATOR IS CLOSED IN THE EMBOSSED PACKING

5. FITTING NAIL FOR PREVENTION OF PEELING OF PCB PATTERN.

△ R0.3 MUST NOT BE OVERLAPPED TO PATTERN OF FPC.

7. N : CIRCUIT.

8. COPLANARITY IS 0.10MAX.

ABOUT FPC/FFC

RECOMMENDED PUNCHER DIRECTION : FROM CONDUCTOR SIDE TO STIFFENER FILM SIDE.
 RECOMMENDED CONDUCTOR THICKNESS OF SOFT COPPER FOIL : 35 μm OR 50 μm.

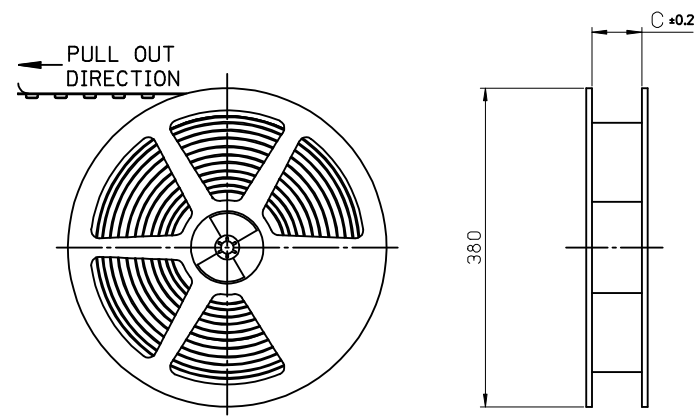
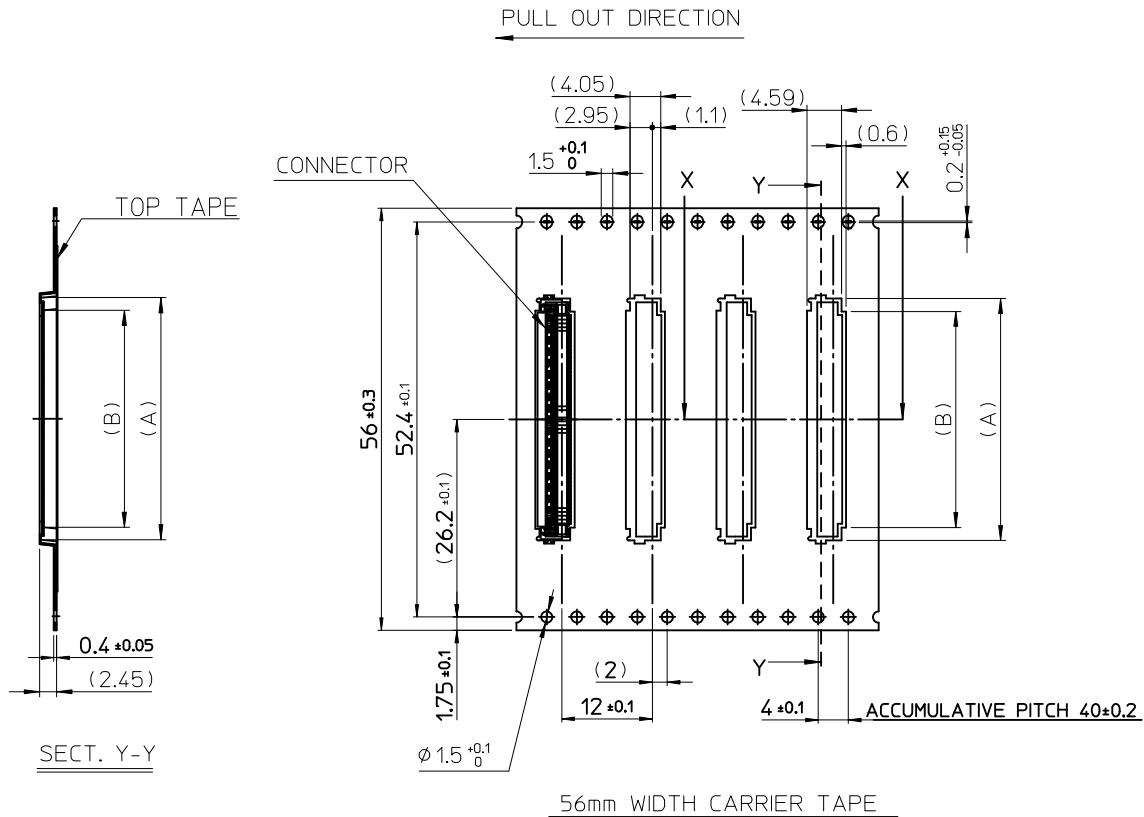
ABOUT FPC

RECOMMENDED MATERIAL/THICKNESS.
 STIFFENER FILM : POLYIMIDE
 BONDING AGENT : THERMOSETTING BONDING AGENT
 BASE FILM THICKNESS : 25 μm
 PLEASE PUT APPROPRIATE AMOUNT OF ADHESIVE ON THE CONTACT AREA BECAUSE THE EXTRA ADHESIVE MAY CAUSE THE DEFECT IN ELECTRICAL CONTINUITY.

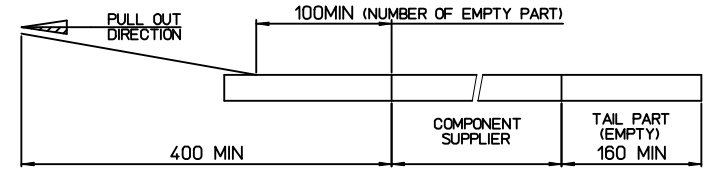
ABOUT METAL MASK

RECOMMENDED METAL MASK THICKNESS : 0.12μ
 RECOMMENDED METAL MASK OPEN RATIO : OVER 80%

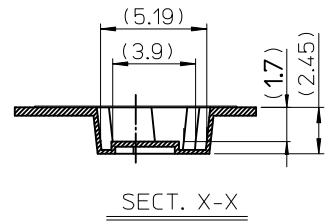
NEW RELEASED EC NO: KOR2013-0022 DRWN: JHCHANG 2012/08/16 CHKD: APPR: YSK1M02 2012/08/31	DESCRIPTION KOR2013-0022	QUALITY SYMBOLS		GENERAL TOLERANCES (UNLESS SPECIFIED)		DIMENSION STYLE MM ONLY		SCALE 5:1	DESIGN UNITS METRIC	THIRD ANGLE PROJECTION	
				mm	INCH	DRAWN BY JHCHANG	DATE 2012/08/16	TITLE 0.5MM FPC/FFC FRONTFLIP SLIM CONN. 56P (H=1.5) HOUSING ASS'Y			
				4 PLACES ± --- ± ---	3 PLACES ± 0.005 ± ---	CHECKED BY KSK1M	DATE 2012/08/16	MATERIAL NO. SEE SHEET 1			
				2 PLACES ± 0.05 ± ---	1 PLACE ± 0.1 ± ---	APPROVED BY YSK1M02	DATE 2012/08/31	DOCUMENT NO. SD-104112-001			
		ANGULAR ± 1 °		DRAFT WHERE APPLICABLE MUST REMAIN WITHIN DIMENSIONS		SIZE A3		SHEET NO. 2 OF 3			
THIS DRAWING CONTAINS INFORMATION THAT IS PROPRIETARY TO MOLEX INCORPORATED AND SHOULD NOT BE USED WITHOUT WRITTEN PERMISSION											



- NOTES
1. QUANTITY OF CONNECTORS : 3000PCS/REEL
 2. LEAD LENGTH



3. THIS PRODUCT IS HALOGEN FREE (LV.2)



56	57.5	30.29	32.7	104112-5617	56
CARRIER TAPE WIDTH	C	(B)	(A)	ORDER No.	Ckt

<p>NEW RELEASED</p> <p>EC NO: KOR2013-0022</p> <p>DRWN: JHCHANG 2012/08/16</p> <p>CHKD:</p> <p>APPR: YSK1M02 2012/08/31</p>	<p>QUALITY SYMBOLS</p> <p>▽=0</p> <p>⊕=0</p>	<p>GENERAL TOLERANCES (UNLESS SPECIFIED)</p>		<p>DIMENSION STYLE</p> <p>MM ONLY</p>		<p>SCALE</p> <p>5:1</p>		<p>DESIGN UNITS</p> <p>METRIC</p>		<p>THIRD ANGLE PROJECTION</p>		
		4 PLACES	± ---	± ---	DRAWN BY	DATE	<p>TITLE</p> <p>0.5MM FPC/FFC FRONTFLIP SLIM CONN. 56P (H=1.5) HOUSING ASS'Y</p>					
		3 PLACES	± 0.005	± ---	CHECKED BY	DATE						
		2 PLACES	± 0.05	± ---	APPROVED BY	DATE	<p>MOLEX INCORPORATED</p>					
1 PLACE	± 0.1	± ---	YSK1M02	2012/08/31								
<p>ANGULAR ± 1°</p>		<p>DRAFT WHERE APPLICABLE MUST REMAIN WITHIN DIMENSIONS</p>		<p>MATERIAL NO.</p> <p>SEE SHEET 1</p>		<p>DOCUMENT NO.</p> <p>SD-104112-001</p>		<p>SHEET NO.</p> <p>3 OF 3</p>				