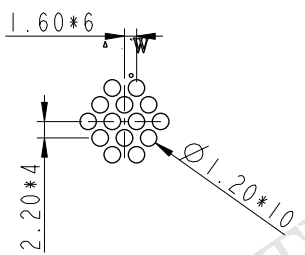
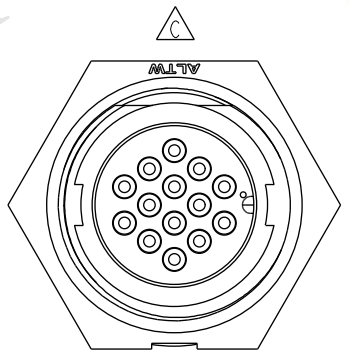
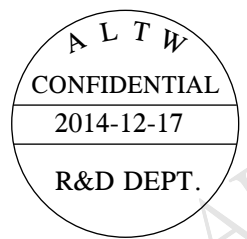
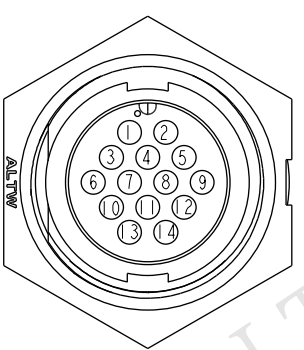
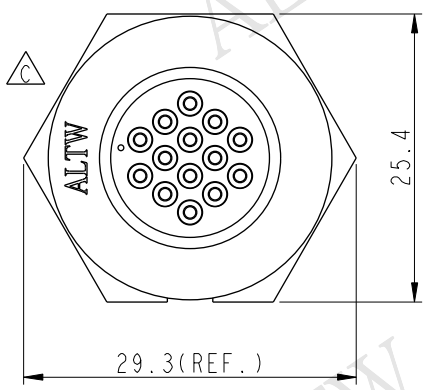
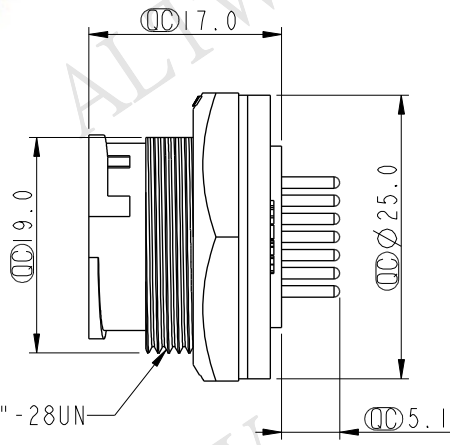


THIS DOCUMENT IS SUBJECT TO CHANGE WITHOUT NOTICE. IT IS CONFIDENTIAL AND A PROPERTY OF AMPHENOL LTW. DISCLOSURE TO THIRD PARTY HAS TO BE AUTHORIZED BY AMPHENOL LTW.

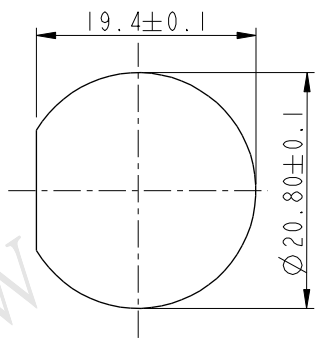
REV.	ECN NO.	DATE	SIGN	DESCRIPTION
B	LEN-8B0089	2008/09/25	Shin	Add Note
C	LEN1530183	2014/12/17	Ruru	Change Logo



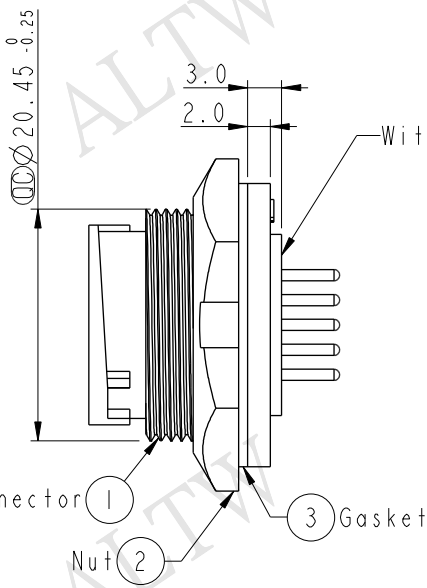
14Pin Male Connector  
Male Pin PCB Layout



Pin Assignments  
Front View



Recommended Panel Cut-Out



Notes:

- \*  $\varnothing$  Important Dimension To Check.
- \* Waterproof Rate: IP67
- \* Housing: Black, Nylon+GF
- \* Pin: Copper Alloy, Gold Plated
- \* Nut: Nylon+GF
- \* Gasket: EPDM
- $\triangle B$  \* Use with waterproof cap or dust cap  
Panel Thickness Max: 3.0mm
- $\triangle B$  \* Use without waterproof cap or dust cap  
Panel Thickness Max: 4.0mm

UNIT:mm		
TOLERANCE	.X ±0.25	
	.XX ±0.1	
	.XXX ±0.05	
ANGLES	±1°	

TITLE Middle Panel Lock 14Pin M Conn M Pin			
SCALE 1:1	SIZE A4	SHEET 1 OF 1	
REV. C	WC-REV. A.3	$\varnothing$ : Inspection item	

**Amphenol LTW**  
安費諾亮泰企業股份有限公司

ITEM NO. CD-14PMMP-LC7001	DRAWN BY Ruru	DATE 2014-12-17
DWG NO. CD-14PMMP-LC7001	CHECKED BY Rita	DATE 2014-12-17
CUSTOMER ALTW	APPROVED BY Win	DATE 2014-12-17

