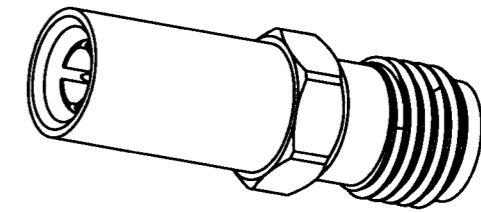


NOTES:

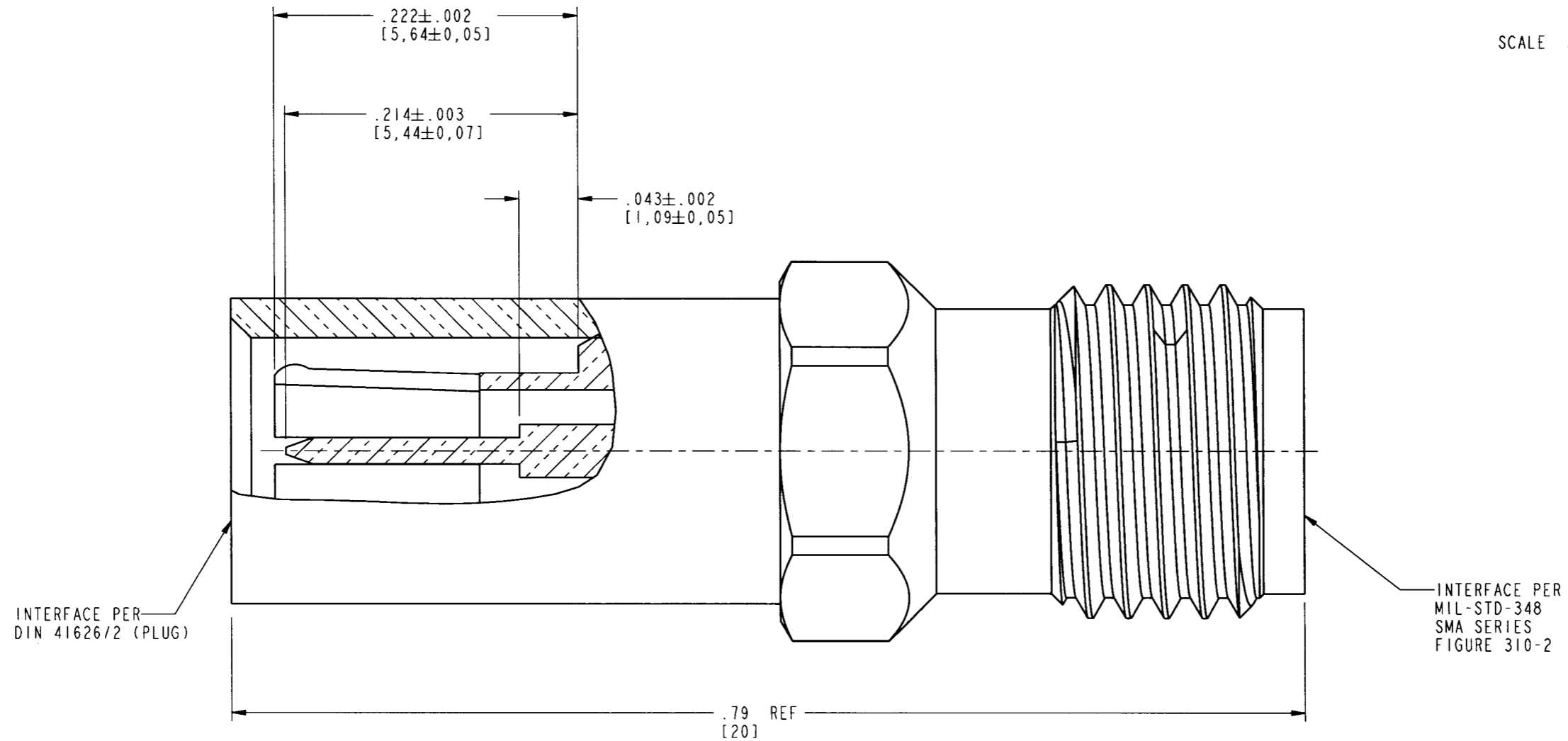
1. MATERIAL AND FINISH:  
 BODY - BeCu, GOLD PLATED  
 CONTACT - BeCu, GOLD PLATED  
 INSULATOR - PTFE
2. ELECTRICAL  
 A. VSWR(RETURN LOSS), MAXIMUM  
 DC - 4GHz: 1.15 (-30 dB)

901-10006		REVISIONS			
DRAWING NO.	REV	DESCRIPTION	DATE	ECO	APPR
THIRD ANGLE PROJ.	A	OFFICIAL ENG. RELEASE TO MFG.	2/11/99	42829	PB/TA

CUSTOMER OUTLINE DRAWING  
FOR REFERENCE ONLY



SCALE 3.000



INTERFACE PER  
DIN 41626/2 (PLUG)

INTERFACE PER  
MIL-STD-348  
SMA SERIES  
FIGURE 310-2

UNLESS OTHERWISE SPECIFIED, DIMENSIONS ARE IN INCHES AND TOLERANCES ARE: 2 PLACE DECIMAL 3 PLACE DECIMAL ANGLES ±.015 (0,381 mm) ±.005 (0,127 mm) ± 1°	MATERIAL	DRAWN J. WILKINSON	DATE 8 FEB 99	TITLE SMA JACK 1.0/2.3 PLUG ADAPTER	Amphenol Amphenol Corporation Communication and Network Products Division Danbury, CT U.S.A. 06810
	REFERENCE GEN# ASSY_SMAF_1023M EAR 102-967033 1 615X-1503-200	ENGINEER J. WILKINSON	DATE 8 FEB 99		
NOTICE - These drawings, specifications, or other data (1) are, and remain the property of Amphenol Corp. (2) must be returned upon request; and (3) are confidential and not to be disclosed to any person other than those to whom they are given by Amphenol Corp. The furnishing of these drawings, specifications, or other data by Amphenol Corp., or to any other person to anyone for any purpose is not to be regarded by implication or otherwise in any manner licensing, granting rights or permitting such holder or any other person to manufacture, use or sell any product, process or design, patented or otherwise, that may in any way be related to or disclosed by said drawings, specifications, or other data.		APPROVED <i>J. Wilkin</i>	DATE 2/10/99		SCALE: 10.0:1 SHEET 1 OF 1
		CAD FILE I:\SMA\901-10006	CODE ID 74868	DWG SIZE B	DRAWING NO. 901-10006