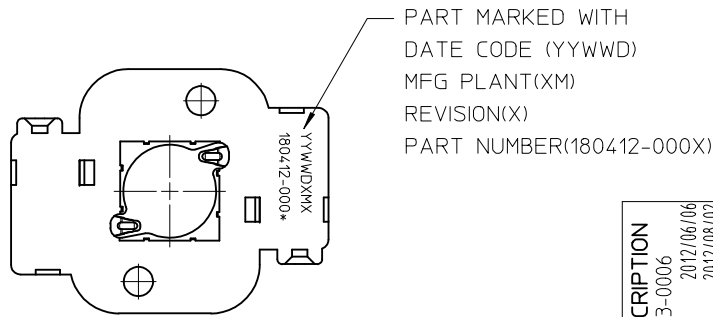
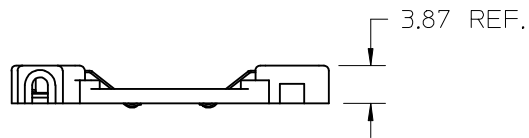
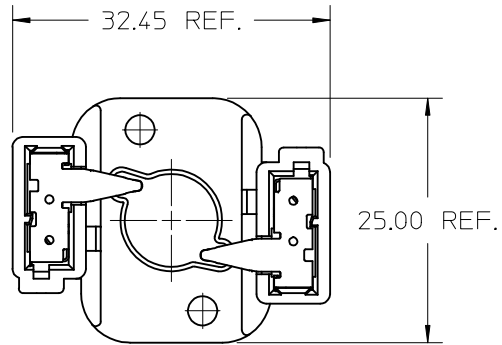


10	9	8	7	6	5	4	3	2	1
PART NUMBER	DESCRIPTION								
180412-0001	CLL010 HOLDER ASSEMBLY - NO CAP								
180412-0002	CLL010 HOLDER ASSEMBLY - CAP WITH TAB								
180412-0003	CLL010 HOLDER ASSEMBLY - CAP WITHOUT TAB								

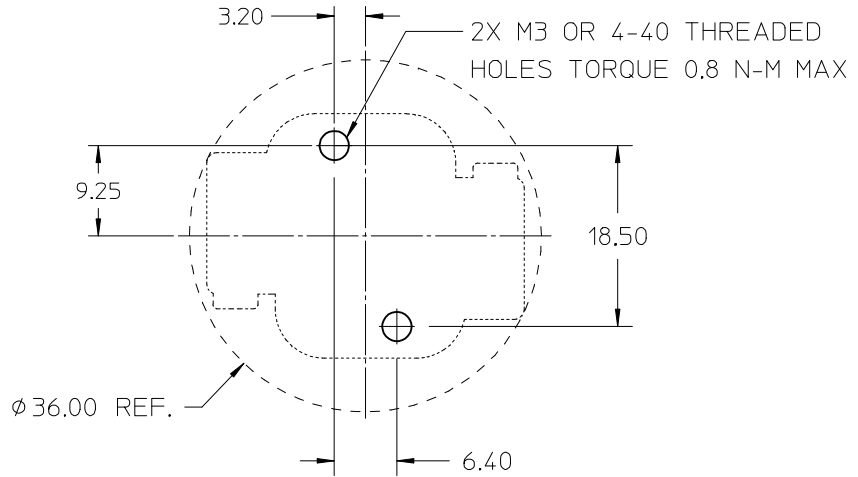
NOTES:

1. MATERIALS: HOUSING: POLYAMIDE (PA66), GLASS FILLED, UL94V-0, 5VA (89992-0289); CAP: POLYAMIDE (PA66) UNFILLED, UL94V-0 (89992-0922); TERMINAL: COPPER ALLOY
2. FINISHES: TERMINAL: NICKEL (Ni) UNDERPLATE 1.27 μm , SELECT TIN (Sn) 2.54 μm , SELECT GOLD (Au) 0.76 μm
3. PRODUCT SPECIFICATION: PS-180412-001
4. PACKAGING SPECIFICATION: PK-180412-001
5. APPLICATION SPECIFICATION: AS-180412-001
6. FOR USE WITH: CITIZEN COB SERIES CLL010 LED
7. HOLDER ASSEMBLY AVAILABLE WITH OPTIONAL CAP SEE CHART FOR PART NUMBERS
8. WIRE GAUGE: 18 OR 20 AWG, SOLID OR STRANDED WITH TIN OVERCOAT. STRIP LENGTH 1CM.
9. UL:0LFB2 UL496 FILE: E345583 (PENDING)
10. REFERENCE PS-180412-001 FOR RoHAS REQUIREMENTS.

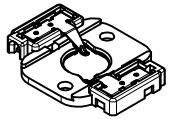


PART MARKED WITH
DATE CODE (YYWDX)
MFG PLANT(XM)
REVISION(X)
PART NUMBER(180412-000X)

HOLDER ASSEMBLY - NO CAP



RECOMMENDED MOUNTING DIMENSIONS

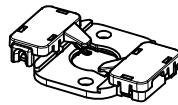
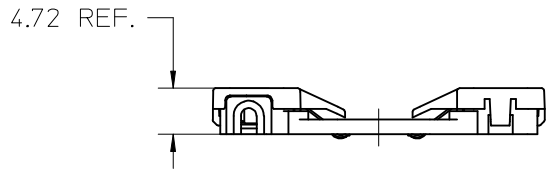
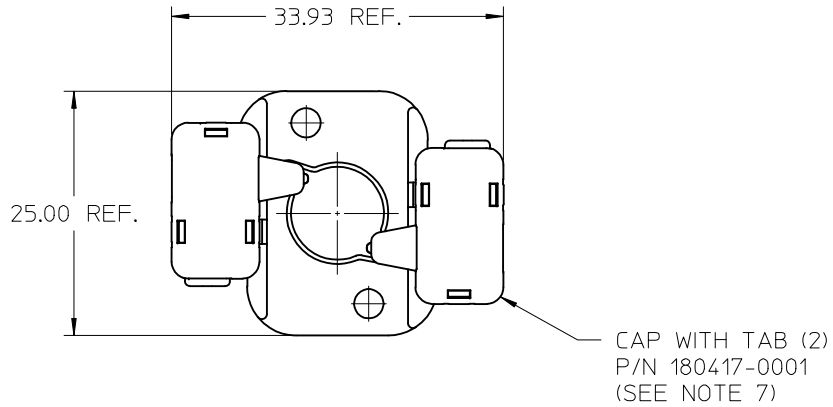


ISO VIEW
Scale 1:1

ENTER DESCRIPTION EC NO: SSL2013-0006 DRAWN: MDEVITO 2012/06/06 CHKD: FJAKLIC 2012/08/02 APPR: DMCGOWAN 2012/08/06 B	DESCRIPTION REV	QUALITY SYMBOLS $\nabla F/0$ $\nabla E/0$ $\nabla F/0$	GENERAL TOLERANCES (UNLESS SPECIFIED) <table border="1"> <thead> <tr> <th></th> <th>mm</th> <th>INCH</th> </tr> </thead> <tbody> <tr> <td>4 PLACES</td> <td>\pm---</td> <td>\pm---</td> </tr> <tr> <td>3 PLACES</td> <td>\pm---</td> <td>\pm---</td> </tr> <tr> <td>2 PLACES</td> <td>\pm0.13</td> <td>\pm---</td> </tr> <tr> <td>1 PLACE</td> <td>\pm0.25</td> <td>\pm---</td> </tr> </tbody> </table>		mm	INCH	4 PLACES	\pm ---	\pm ---	3 PLACES	\pm ---	\pm ---	2 PLACES	\pm 0.13	\pm ---	1 PLACE	\pm 0.25	\pm ---	DIMENSION STYLE MM ONLY	SCALE 2:1	DESIGN UNITS METRIC	THIRD ANGLE PROJECTION
			mm	INCH																		
		4 PLACES	\pm ---	\pm ---																		
		3 PLACES	\pm ---	\pm ---																		
2 PLACES	\pm 0.13	\pm ---																				
1 PLACE	\pm 0.25	\pm ---																				
DRAWN BY MCOLE	DATE 2012/01/30	TITLE CITIZEN COB SERIES CLL010 HOLDER ASSEMBLY																				
CHECKED BY MCOLE	DATE 2012/05/15	MOLEX INCORPORATED																				
APPROVED BY	DATE	MATERIAL NO. SEE CHART	DOCUMENT NO. SD-180412-001	SHEET NO. 1 OF 2																		

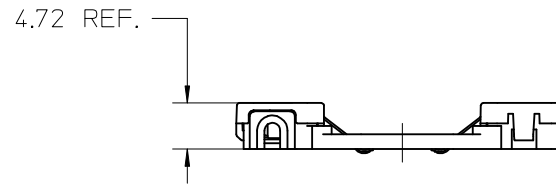
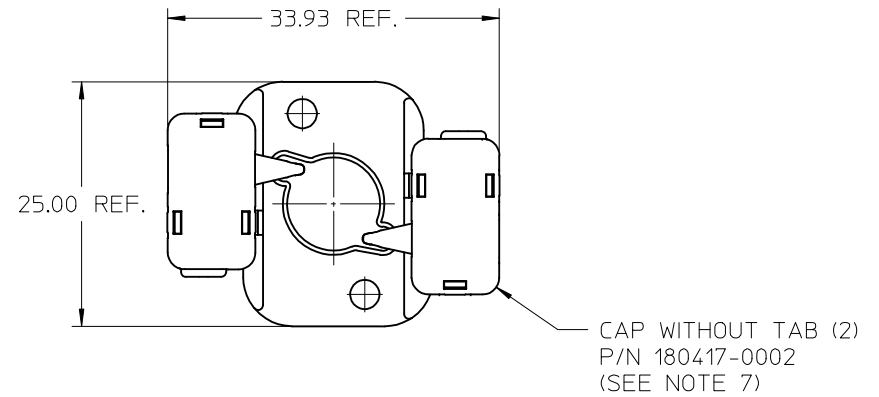
10 9 8 7 6 5 4 3 2 1

HOLDER ASSEMBLY - CAP WITH TAB



ISO VIEW
SCALE 1:1

HOLDER ASSEMBLY - CAP WITHOUT TAB



ISO VIEW
SCALE 1:1

ENTER DESCRIPTION EC NO: SSL2013-0006 DRAWN: MDEVITO 2012/06/06 CHK'D: JAKLIC 2012/08/02 APPR: DMC GOWAN 2012/08/06 REV B	QUALITY SYMBOLS ▽=0 ▽=0 ▽=0	GENERAL TOLERANCES (UNLESS SPECIFIED) <table border="1"> <thead> <tr> <th></th> <th>mm</th> <th>INCH</th> </tr> </thead> <tbody> <tr> <td>4 PLACES</td> <td>± ---</td> <td>± ---</td> </tr> <tr> <td>3 PLACES</td> <td>± ---</td> <td>± ---</td> </tr> <tr> <td>2 PLACES</td> <td>± 0.13</td> <td>± ---</td> </tr> <tr> <td>1 PLACE</td> <td>± 0.25</td> <td>± ---</td> </tr> <tr> <td>0 PLACE</td> <td>± ---</td> <td>± ---</td> </tr> </tbody> </table>		mm	INCH	4 PLACES	± ---	± ---	3 PLACES	± ---	± ---	2 PLACES	± 0.13	± ---	1 PLACE	± 0.25	± ---	0 PLACE	± ---	± ---	DIMENSION STYLE MM ONLY DRAWN BY DATE MCOLE 2012/01/30 CHECKED BY DATE MCOLE 2012/05/15 APPROVED BY DATE	SCALE 2:1	DESIGN UNITS METRIC	THIRD ANGLE PROJECTION
		mm	INCH																					
	4 PLACES	± ---	± ---																					
	3 PLACES	± ---	± ---																					
2 PLACES	± 0.13	± ---																						
1 PLACE	± 0.25	± ---																						
0 PLACE	± ---	± ---																						
TITLE CITIZEN COB SERIES CLL010 HOLDER ASSEMBLY																								
MATERIAL NO. SEE CHART DOCUMENT NO. SD-180412-001																								
SHEET NO. 2 OF 2 THIS DRAWING CONTAINS INFORMATION THAT IS PROPRIETARY TO MOLEX INCORPORATED AND SHOULD NOT BE USED WITHOUT WRITTEN PERMISSION																								

9 8 7 6 5 4 3 2 1