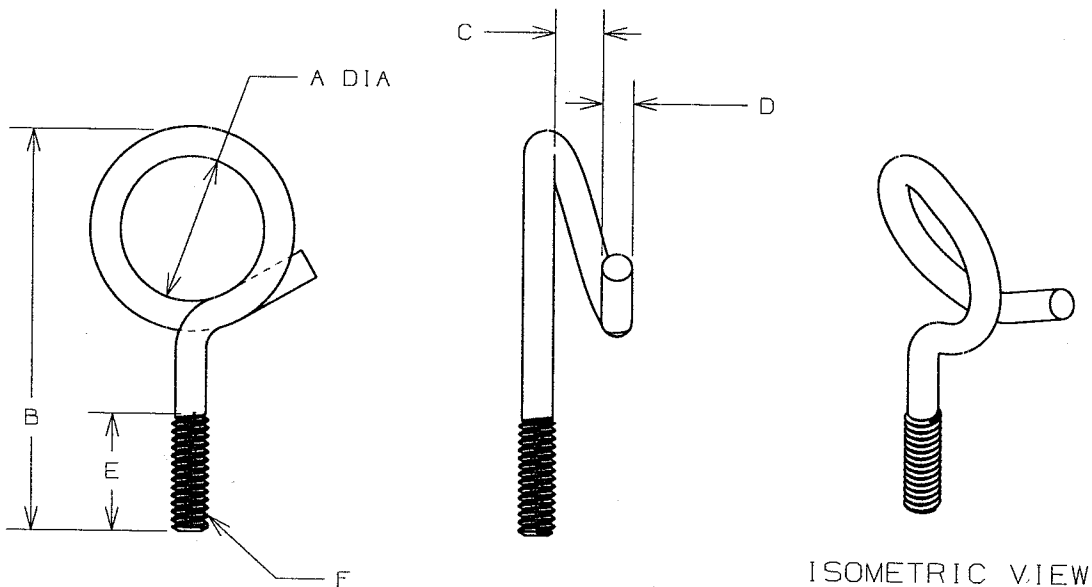


THIS COPY IS PROVIDED ON A RESTRICTED BASIS AND IS NOT TO BE USED IN ANY WAY DETRIMENTAL TO THE INTERESTS OF PANDUIT CORP.

PANDUIT PART NO.	DIMENSIONS						WEIGHT lbs / QTY (kg) / QTY
	A (REF)	B (REF)	C	D	E (REF)	F	
BR-.50-10-24	0.50 [ 13 ]	1.78 [ 45 ]	0.15 [ 4 ] MINIMUM	0.161 [ 4.08 ] 0.157 [ 4.00 ]	0.61 [ 16 ]	10-24 UNC THREAD	1.9 / 100pcs (0.9) / 100pcs
BR-.75-10-24	0.75 [ 19 ]	2.03 [ 52 ]	0.15 [ 4 ] MINIMUM	0.161 [ 4.08 ] 0.157 [ 4.00 ]	0.61 [ 16 ]	10-24 UNC THREAD	2.4 / 100pcs (1.1) / 100pcs
BR-1.25-10-24	1.25 [ 32 ]	2.53 [ 64 ]	0.32 [ 8 ] MINIMUM	0.161 [ 4.08 ] 0.157 [ 4.00 ]	0.61 [ 16 ]	10-24 UNC THREAD	3.5 / 100pcs (1.6) / 100pcs
BR-1.25-1/4-20	1.25 [ 32 ]	3.04 [ 77 ]	0.32 [ 8 ] MINIMUM	0.215 [ 5.45 ] 0.211 [ 5.37 ]	1.00 [ 25 ]	1/4-20 UNC THREAD	6.8 / 100pcs (3.1) / 100pcs
BR-2.0-10-24	2.00 [ 51 ]	3.28 [ 83 ]	0.32 [ 8 ] MINIMUM	0.161 [ 4.08 ] 0.157 [ 4.00 ]	0.61 [ 16 ]	10-24 UNC THREAD	5.2 / 100pcs (2.4) / 100pcs
BR-2.0-1/4-20	2.00 [ 51 ]	3.89 [ 99 ]	0.32 [ 8 ] MINIMUM	0.215 [ 5.45 ] 0.211 [ 5.37 ]	1.00 [ 25 ]	1/4-20 UNC THREAD	9.4 / 100pcs (4.3) / 100pcs
BR-4.0-1/4-20	4.04 [ 103 ]	5.93 [ 151 ]	0.90 [ 23 ] MINIMUM	0.215 [ 5.45 ] 0.211 [ 5.37 ]	1.00 [ 25 ]	1/4-20 UNC THREAD	8.0 / 50pcs (3.6) / 50pcs



NOTES:  
1. SEE CURRENT PRICE SHEET FOR PART NUMBER SUFFIX DESIGNATION FOR PACKAGE SIZE.

DIMENSIONS IN BRACKETS ARE METRIC [ mm ]	
CAD FILENAME/LAYERS G03668CP_DC_GB3668CP/O1B	
<b>PANDUIT</b> CORP. TINLEY PARK, ILLINOIS	
BR- - - THREADED BRIDLE RING	
UNLESS OTHERWISE SPECIFIED, DIMENSIONAL TOLERANCES ARE: (.X) ±0.05 (1.3) (.XXX) ±0.010 (0.25) (.XX) ±0.02 (0.5) ANGLES ±5°	UNLESS OTHERWISE SPECIFIED, ALL DIMENSIONS ARE GIVEN IN INCHES, THIRD ANGLE PROJECTION.
DRAWN BY ARHA	MAT'L: LOW CARBON STEEL BRIGHT ZINC ELECTROPLATE
DATE 09-15-09	SCALE NONE
CHK'D KLN	DRAWING NO. GB3668CP
	DWG A

REV	DATE	BY	CHK	DESCRIPTION	ECN	R	CUST	SUP
O1B	09/25/09	ARHA	PK	CORRECTED PART NUMBER FOR BR-.50-10-24	GB3668CP	O1B	KLN	
O1A	09/15/09	ARHA		INITIAL RELEASE	GB3668CP	O1A		