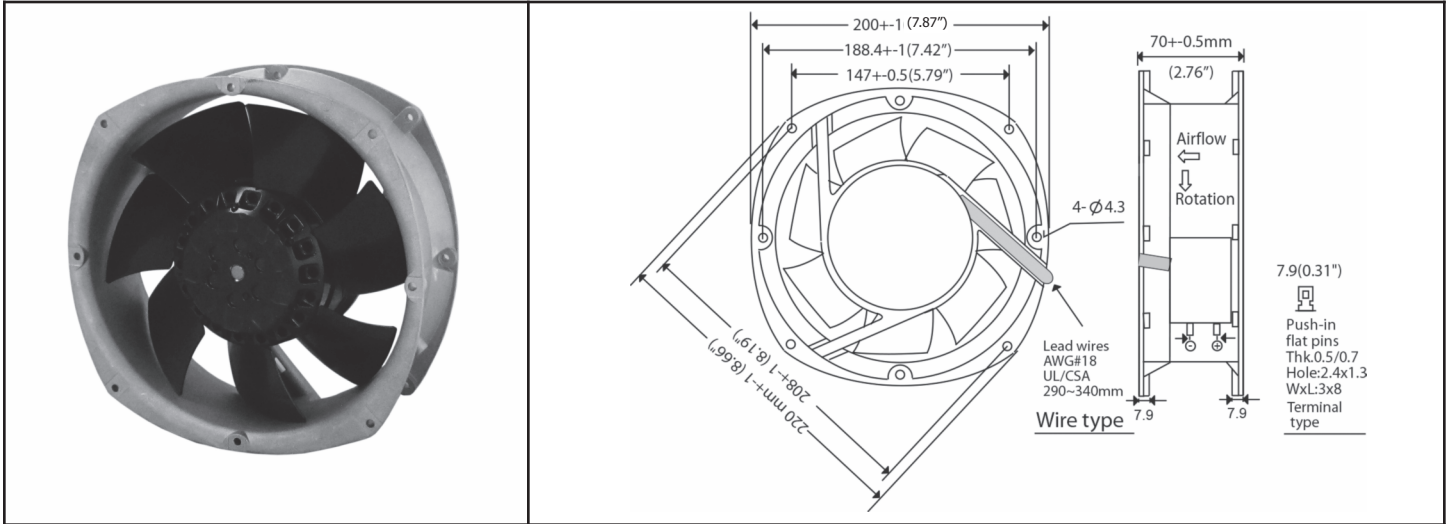


# OA200AN Series - All Metal



AC Fan - 115V, 230V  
200 x 220 x 70mm (7.8"x 8.7"x 2.8")



<b>Frame</b>	Diecast Aluminum	<b>Operating Temperature</b> Ball Bearing -30C ~ +80C (non-condensing) Storage Temp -40C ~ +100C	
<b>Impeller</b>	Metal Alloy		
<b>Connection</b>	2x Lead Wires 18 AWG or terminals	<b>Life Expectancy</b> Ball Bearing 50,000 hours (L10 at 55C) Environmental Protection IP56	
<b>Motor</b>	AC Capacitor Inductance, thermally protected	Weight: ~ 4.0 lbs	
<b>Bearing System</b>	Dual ball bearing		
<b>Insulation Resistance</b>	>100M ohm between lead-wire and frame (500VDC)		
<b>Dielectric Strength</b>	1 min at 1500 VAC, 50/60Hz	m0	

Model Number	Speed (RPM)	Airflow (CFM)	Noise (dB)	Volts AC	Voltage Range	Watts	Max. Static Pressure ("H <sub>2</sub> O)	Curves
OA200AN-11-1 * 1856	2800 3300	430 485	68	115	100~120	95 105	0.82 0.93	2 (50Hz) 1 (60Hz)
OA200AN-11-2 * 1856	2400 2600	365 395	54	115	100~120	80 95	0.68 0.75	4 (50Hz) 3 (60Hz)
OA200AN-11-3 * 1856	1600 1500	245 230	43	115	100~120	32 40	0.46 0.42	6 (50Hz) 5 (60Hz)
OA200AN-22-1 * 1856	2800 3300	430 485	68	230	200~240	95 105	0.82 0.93	2 (50Hz) 1 (60Hz)
OA200AN-22-2 * 1856	2400 2600	365 395	54	230	200~240	80 95	0.68 0.75	4 (50Hz) 3 (60Hz)
OA200AN-22-3 * 1856	1600 1500	245 230	43	230	200~240	32 40	0.46 0.42	6 (50Hz) 5 (60Hz)

\* Indicate "TB" for terminal type or "WB" for lead wires