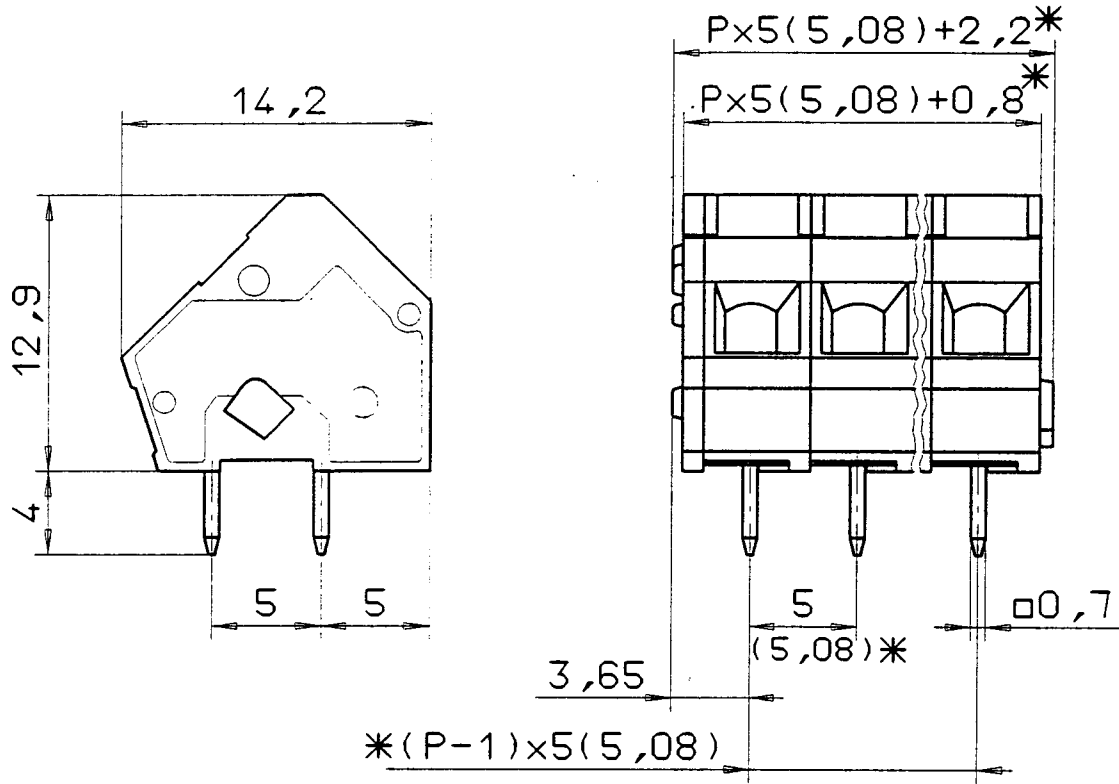


Ratings:
 Current 16A
 Voltage 300 VB
 Wire Size 28-14AWG
 Test Voltage 2.0 kV

Rated Cross Section:
 Single Wire (solid) 2.5mm²
 Stranded Wire (flexible) 2.5mm²
 Stranded Wire with Ferrules 1.5mm²

Dimensions:
 Spacing 5.0mm(5.08mm)
 PCB Hole Diameter 1.0mm(2x)
 Stripped Length 6.0mm

Materials:
 Insulating Material PA
 Flammability UL94V-0
 Temperature -30°C/+105°C
 Cage Clamp Stainless Steel
 Wire Guard Cu
 Color Slade Gray



Part Number
ED(Z)3000/[*][*]
 * - NUMBER OF POSITIONS

Units
 mm

Drawing

Reviewed

Approved

Date
 1/05/96

Sheet 1 of 1

Rev. A