

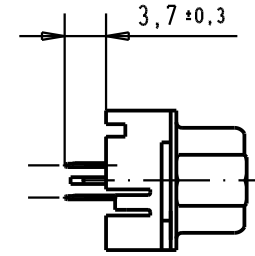
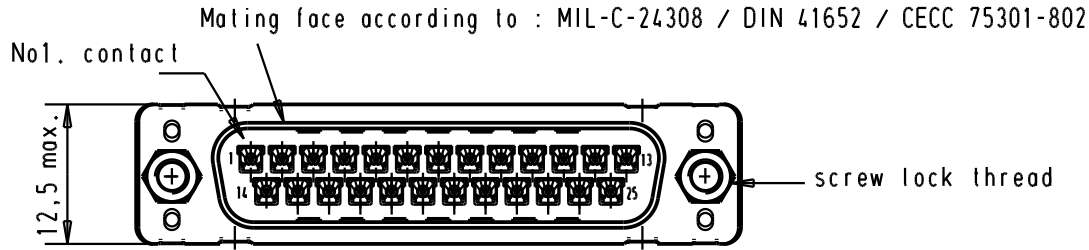
5

4

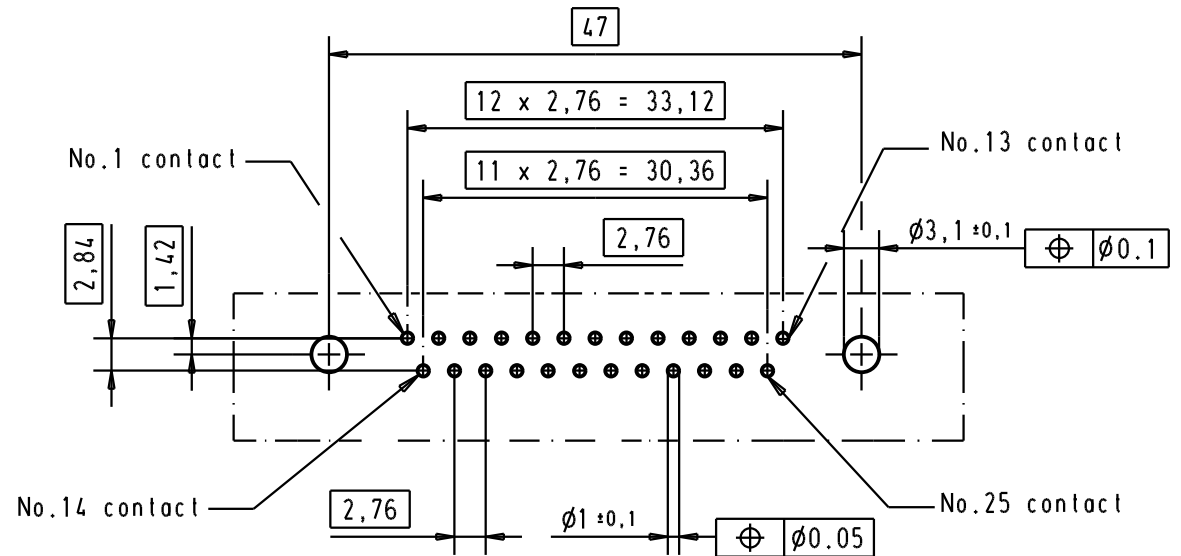
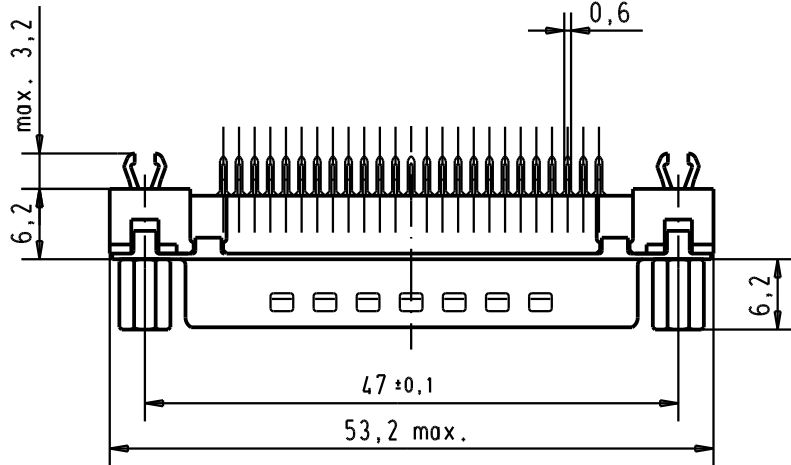
3

2

1



Printed board layout component side



Connector retention and insertion forces on the PCB = 25 / 80 Newtons.

A	09 65 361 3733	M3	1							D-Sub, 25 poles, male, straight with solder pins 3,7 screw lock and grounding board lock.	Maßstab/ Scale 1.5:1	
	09 65 361 6733	M3	2					Det.	07-FEB-02			JB
	09 65 361 7733	M3	3					Insp.				
	09 65 361 3713	4-40 UNC	1	31892	22/04/04	JH		Stand.				
	09 65 361 6713	4-40 UNC	2	29723	05-MAR-02	CV	HARTING EUROL F-95972 Paris					TB 09 65 361 x7x3
09 65 361 7713	4-40 UNC	3	29746	07-FEB-02	JB	All Dim. in mm Orig. Size DIN A 4				Sub.		
	Part number	Screw lock thread	Performance level	Mod.	Dat.	Name						