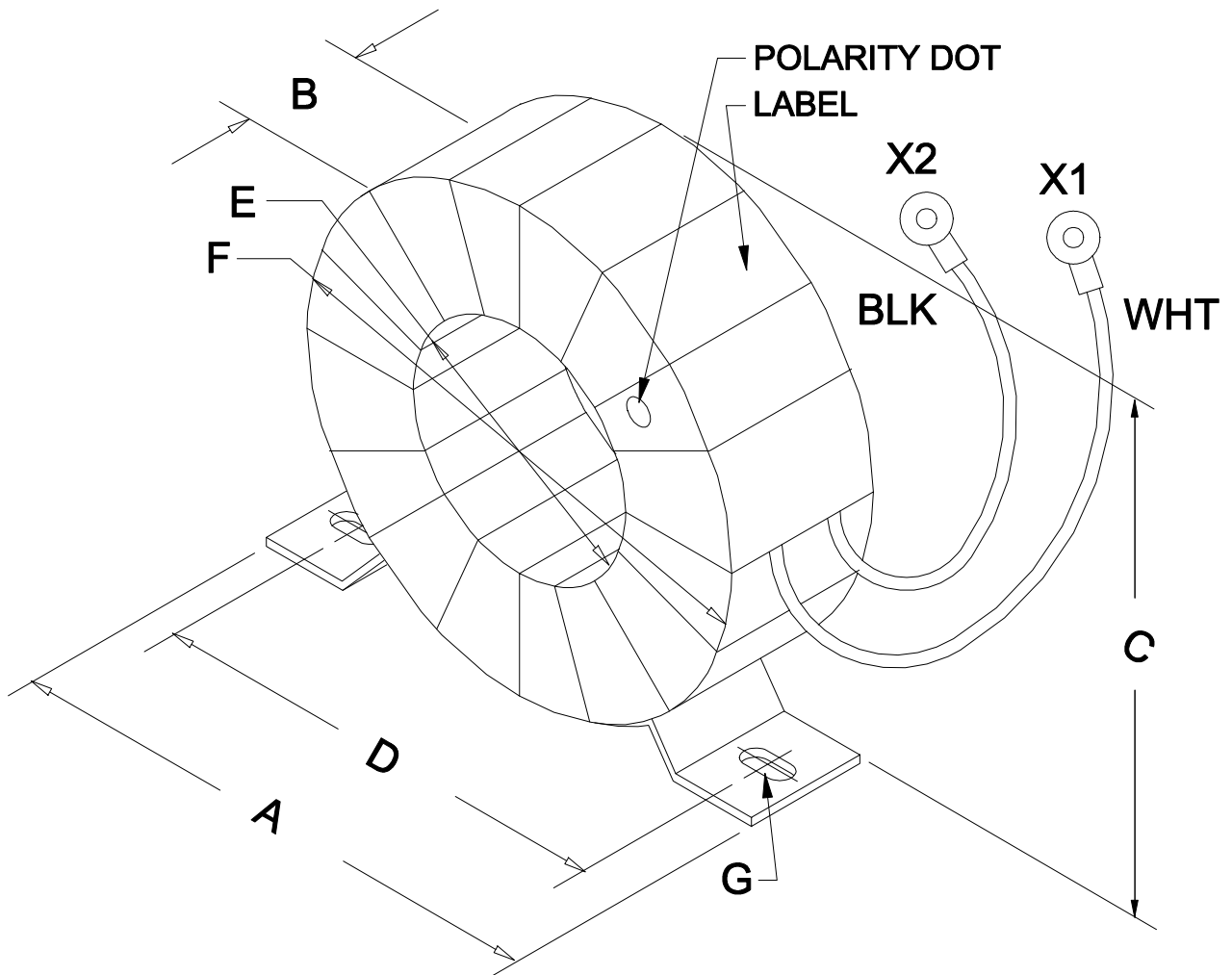
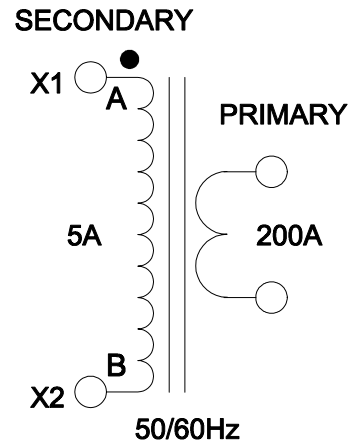


EDBCT200A

DIMENSIONS:	
A	4.75" ±0.063
B	1.35" REF.
C	4.25" ±0.063
D	4.00" ±0.063
E	2.25" MIN.
F	3.87" REF.
G	0.22" X 0.37" ±0.015



**ELECTRONIC DIVISION**  
52 RANKIN PLACE,  
WATERLOO, ONTARIO, N2J 3Z5  
PH # (519) 886-6181  
FAX # (519) 886-9540

TITLE  
**CURRENT TRANSFORMER  
CT200A**

NO	DATE	REVISION	DWG. BY
0	05/02/12	RELEASED. C.I.	CORINA ILIE
			DATE
			05/02/12
			DIM IN(Ø)MM( )

EDBCT200A