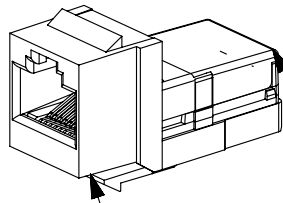


THIS COPY IS PROVIDED ON A RESTRICTED BASIS AND IS NOT TO BE USED IN ANY WAY DETRIMENTAL TO THE INTERESTS OF PANDUIT CORP.

PANDUIT PART NO.	DESCRIPTION	WEIGHT
NK388M**Y	CATEGORY 3 KEYSTONE MODULE: 8 POSITION, 8 WIRE WITH TERMINATION CAP COLOR CODED FOR T568A AND T568B WIRING SCHEMES.	.66 LB/50 PCS [300 g/50 PCS]
NK366UM**Y	CATEGORY 3 KEYSTONE MODULE: 6 POSITION, 6 WIRE WITH TERMINATION CAP COLOR CODED FOR USOC WIRING SCHEME.	
NK366M**Y	CATEGORY 3 KEYSTONE MODULE: 6 POSITION, 6 WIRE	

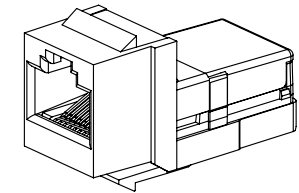
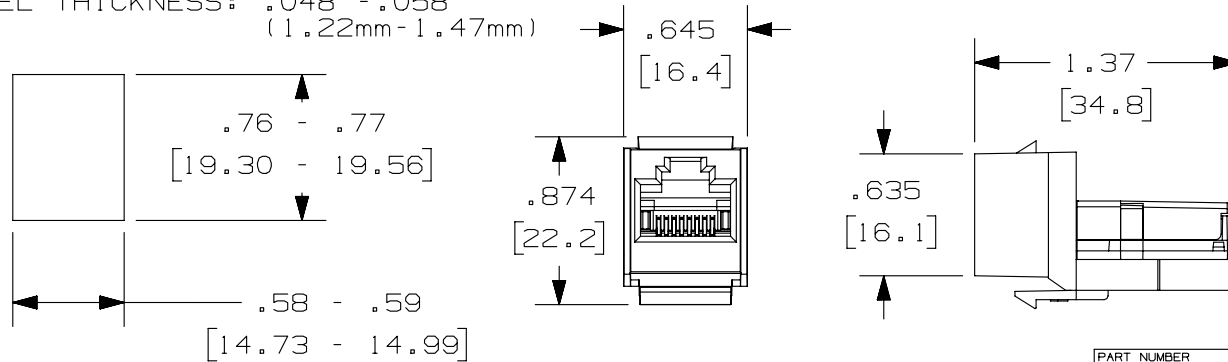


TERMINATION CAP
MODULE HOUSING

NOTES:

- SEE CURRENT NETKEY CATALOG FOR ADDITIONAL PART NUMBER SUFFIXES TO INDICATE COLOR AND OR PACKAGE QUANTITY.
- MATERIAL:
MODULE HOUSING: ABS
NOMINAL WALL THICKNESS: .078(2.0)
TERMINATION CAP: POLYCARBONATE.
- ALL 8 POSITION, 8 WIRE CONNECTOR MODULES WILL ACCEPT TWO, THREE OR FOUR PAIR MODULAR PLUGS WITHOUT DAMAGE.
- DIMENSIONS IN BRACKETS ARE IN METRIC.

PANEL OPENING REQUIREMENTS
PANEL THICKNESS: .048" - .058"
(1.22mm - 1.47mm)



ACTUAL SIZE

PART NUMBER NK388M**Y, NK366UM**Y, NK366M**Y	
TITLE NETKEY CATEGORY 3 KEYSTONE STYLE MODULE	
CUSTOMER DRAWING	
ITEM REVISION NAME M02479KX/00	PANDUIT
DATASET FILE NAME M02479KX_DC285/00B	
UNLESS OTHERWISE SPECIFIED, DIMENSIONAL TOLERANCES ARE: IN [mm]	
.x ± .xxx ± .010 [.3] .xx ± .03 [.8]	MATERIAL:
THIRD ANGLE PROJECTION	DRAWING NUMBER: 02479-285
DRAWN BY TA	DATE 3/18/06
CHK PBD	SCALE NONE
SHT 1 OF 1	
SIZE A	

REV	DATE	BY	CHK	APR	DESCRIPTION	ECN
1	5/19/14	JSP	REFR	JCK	A. REVISED DRAWING TITLE BLOCK.	02479-285
R	3/18/06	TA	PBD	PBD	RELEASED TO PRODUCTION	02479-285

D10100DA/14