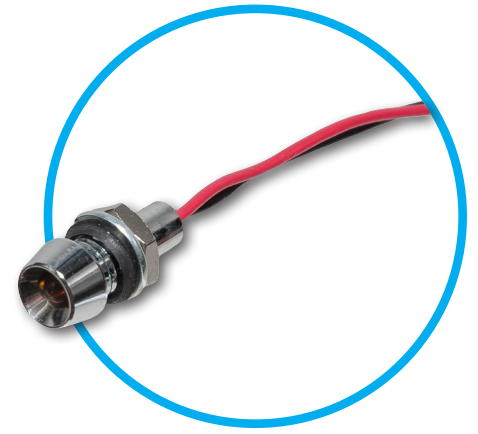




L60 Series 0.230" (5.9mm) Watertight LED Panel Mount Indicator



L60 Series offers a robust body with drip-proof protection in a small package

Applications

- automotive
- aerospace
- industrial
- instrumentation
- medical
- military
- mining
- outdoor
- safety
- transportation
- vending & gaming machines

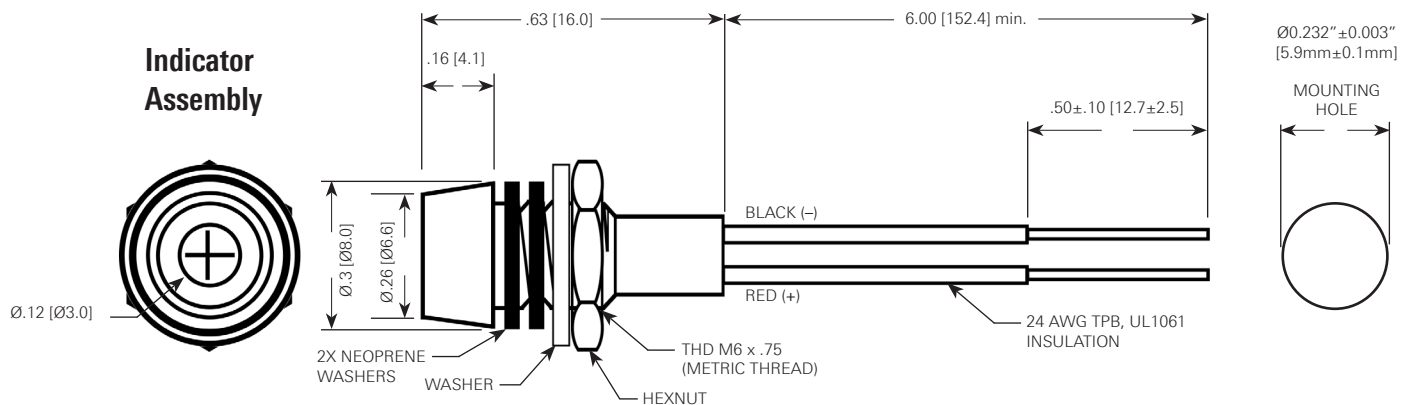
Key features

- watertight
- tinted diffused LEDs
- reflective chrome-plated body
- 45° viewing angle
- mounting hardware provided
- 6" (152.4mm) wire leads, 24 AWG
- mounting hole 0.232" ±0.003" (5.9mm ±0.1mm)
- maximum panel thickness 0.070" (1.7mm)
- RoHS compliant

Product specifications

VCC Model Number	Output Color	Design Voltage / Current (Vf/If)	Max. Voltage / Current (Vf/If)	Typical Intensity (mcd)	Peak Wavelength (nm)
L60D-R5-W	RED	5VDC / 17mA	5.5VDC / 20mA	60	635
L60D-A5-W	AMBER	5VDC / 17mA	5.5VDC / 20mA	30	583
L60D-G5-W	GREEN	5VDC / 17mA	5.5VDC / 20mA	44	565
L60D-R12-W	RED	12VDC / 16mA	14VDC / 19mA	60	635
L60D-A12-W	AMBER	12VDC / 16mA	14VDC / 19mA	30	583
L60D-G12-W	GREEN	12VDC / 16mA	14VDC / 19mA	44	565
L60D-R28-W	RED	28VDC / 15.8mA	30VDC / 17.5mA	60	635
L60D-A28-W	AMBER	28VDC / 15.8mA	30VDC / 17.5mA	30	583
L60D-G28-W	GREEN	28VDC / 15.8mA	30VDC / 17.5mA	44	565

Dimensions



engineered to light up your design

www.vcclite.com

1.800.522.5546