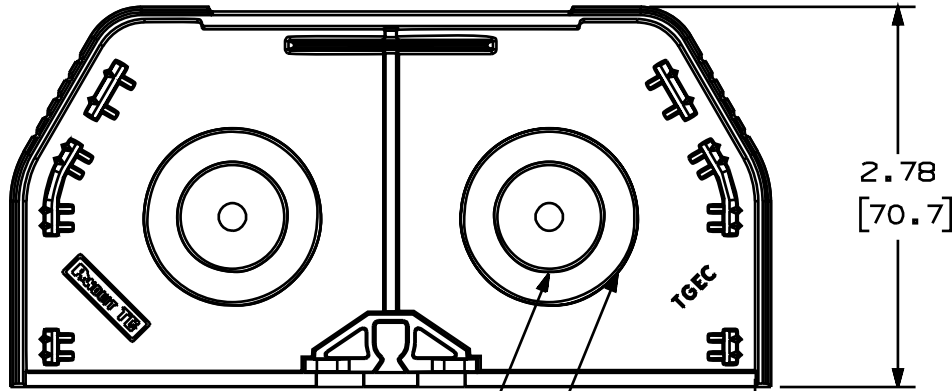
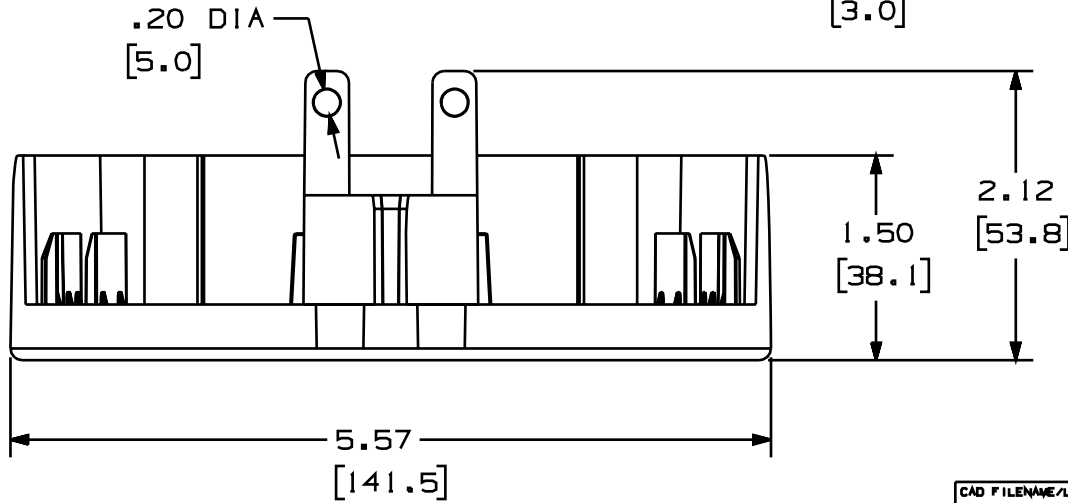


THIS COPY IS PROVIDED ON A RESTRICTED BASIS AND IS NOT TO BE USED IN ANY WAY DETRIMENTAL TO THE INTERESTS OF PANDUIT CORP.



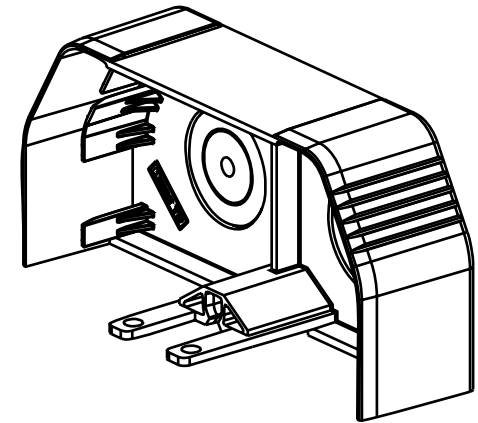
.50 (12.7) DIA. CONDUIT BREAKOUTS
 1.00 (25.4) DIA. CONDUIT BREAKOUTS



PANDUIT P/N	WEIGHT
TGEC	1.74 LB/10 PCS. (790g/10 PCS.)

NOTES:

- SEE CURRENT CATALOG FOR ADDITIONAL PART SUFFIXES TO INDICATE COLOR AND OR PACKAGE QUANTITY.
- THE END CAP FITTING IS USED IN TERMINATING OR ENTERING TG RACEWAY.
- DIMENSIONS IN PARENTHESIS ARE IN METRIC.



CAD FILENAME/LAYERS D37270CA_DC_TGEC_00A.prt

PANDUIT CORP. TINLEY PARK, ILLINOIS

TG END CAP
(TGEC)
CUSTOMER DRAWING

UNLESS OTHERWISE SPECIFIED,
DIMENSIONAL TOLERANCES ARE:
(.X) ± (.XXX) ± .010(.3)
(.XX) ± .031(.8) ANGLES ±

UNLESS OTHERWISE SPECIFIED,
ALL DIMENSIONS ARE GIVEN
IN INCHES, THIRD ANGLE PROJECTION.

DRAWN BY MSO

MAT'L:

SCALE

NONE

DATE 3-15-00

PVC

DRAWING NO.

37270-48

DRG

A

SIZE

REV	DATE	BY	CHK	DESCRIPTION	ECN	CHK	CUST	SUP
R	3-15-00	MSO	CEO	RELEASED TO PRODUCTION.	37270-48	HIW	HIW	