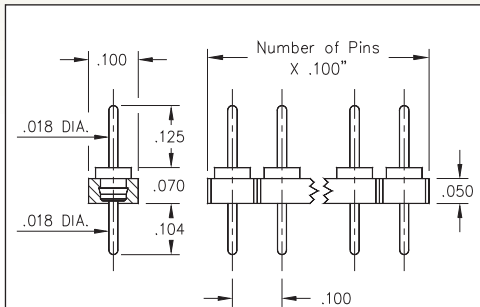
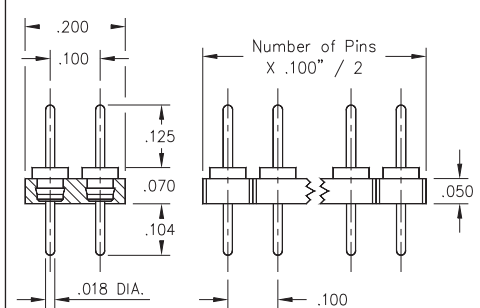


# INTERCONNECTS

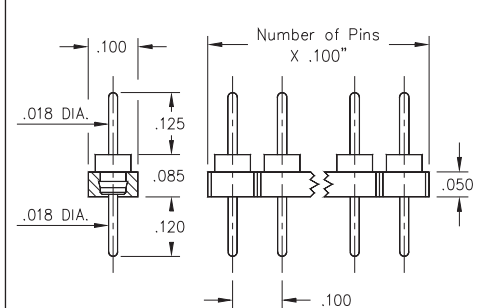
## SERIES 335, 364, 435, 464 • .100" GRID (.018" DIA. PINS), LOW PROFILE • SINGLE AND DOUBLE ROW STRIPS



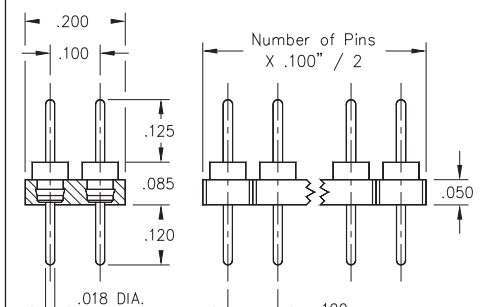
**FIG. 1**



**FIG. 2**



**FIG. 3**



**FIG. 4**

- Series 335 and 435 single and double row PCB interconnects offer a .070" profile, the lowest available
- Series 364 and 464 single and double row PCB interconnects offer .085" profile above board
- Series 335 and 435 use MM #3516 pins. See page 212 for details
- Series 364 and 464 use MM #6458 pins. See page 213 for details
- Insulators are high temperature thermoplastic, suitable for all soldering operations



### ORDERING INFORMATION

<b>FIG. 1</b>	<b>Series 335...160</b> <b>Single Row .070" Profile Pin Header</b>
	335-XX-1__-00-160000 Specify number of pins      01-32
<b>FIG. 2</b>	<b>Series 435...160</b> <b>Double Row .070" Profile Pin Header</b>
	435-XX-2__-00-160000 Specify number of pins      04-72
<b>FIG. 3</b>	<b>Series 364...580</b> <b>Single Row .085" Profile Pin Header</b>
	364-10-1__-00-580000 Specify number of pins      01-32
<b>FIG. 4</b>	<b>Series 464...580</b> <b>Double Row .085" Profile Pin Header</b>
	464-10-2__-00-580000 Specify number of pins      04-72
<div style="display: flex; justify-content: space-around; align-items: center;"> <div style="border: 1px solid black; padding: 5px; background-color: #c8e6c9;">RoHS - 2 2011/65/EU</div> <div style="border: 1px solid black; border-radius: 50%; padding: 5px;">XX=Plating Code See Below</div> <div style="border: 1px solid black; border-radius: 50%; padding: 5px;">For Electrical, Mechanical &amp; Environmental Data, See page 264</div> </div>	
<b>SPECIFY PLATING CODE XX=</b>	10 <span style="color: green;">◆</span> 90      40 <span style="color: green;">◆</span>
Pin Plating	10 μ" Au      200 μ" Sn/Pb      200 μ" Sn