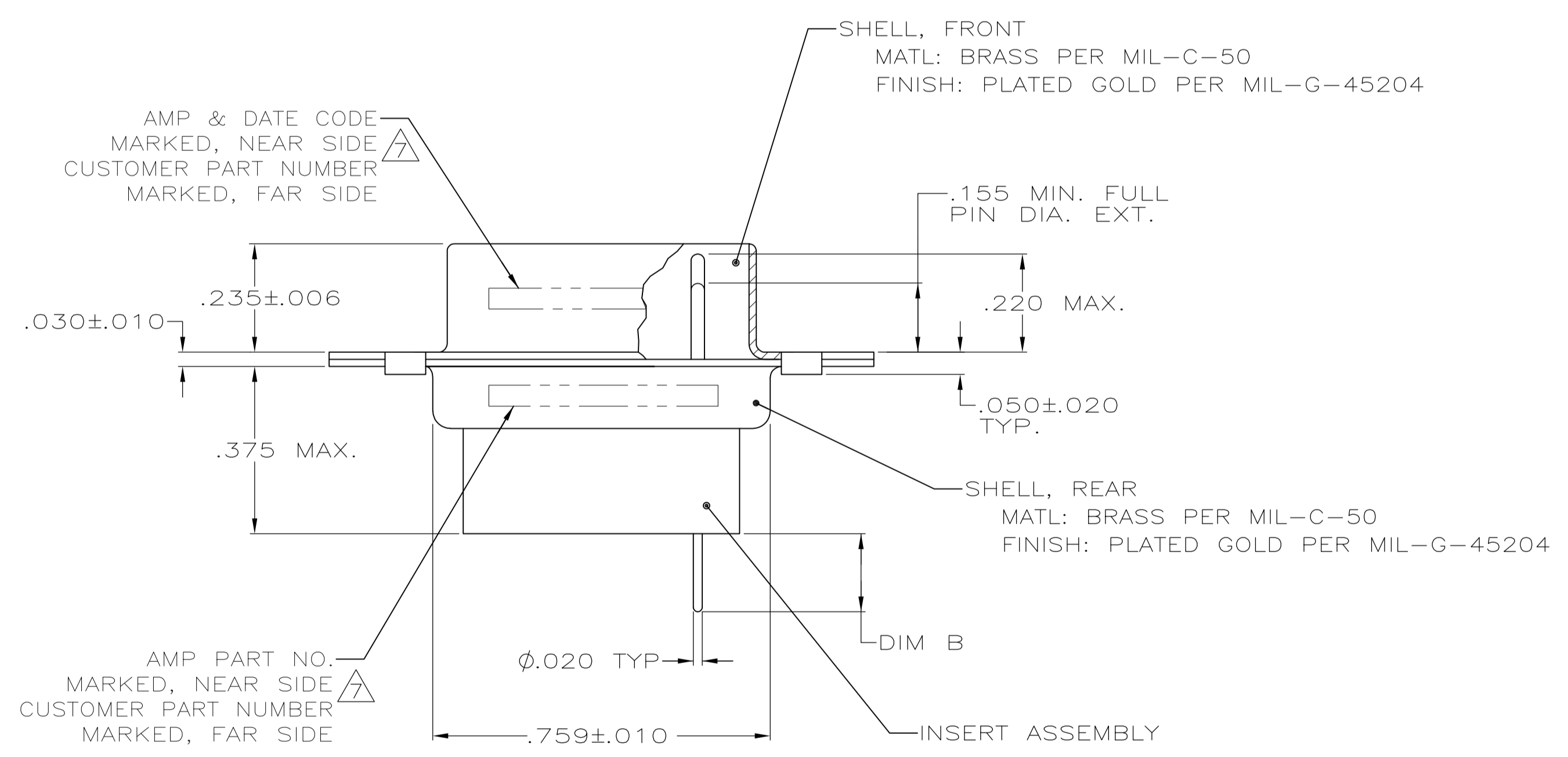
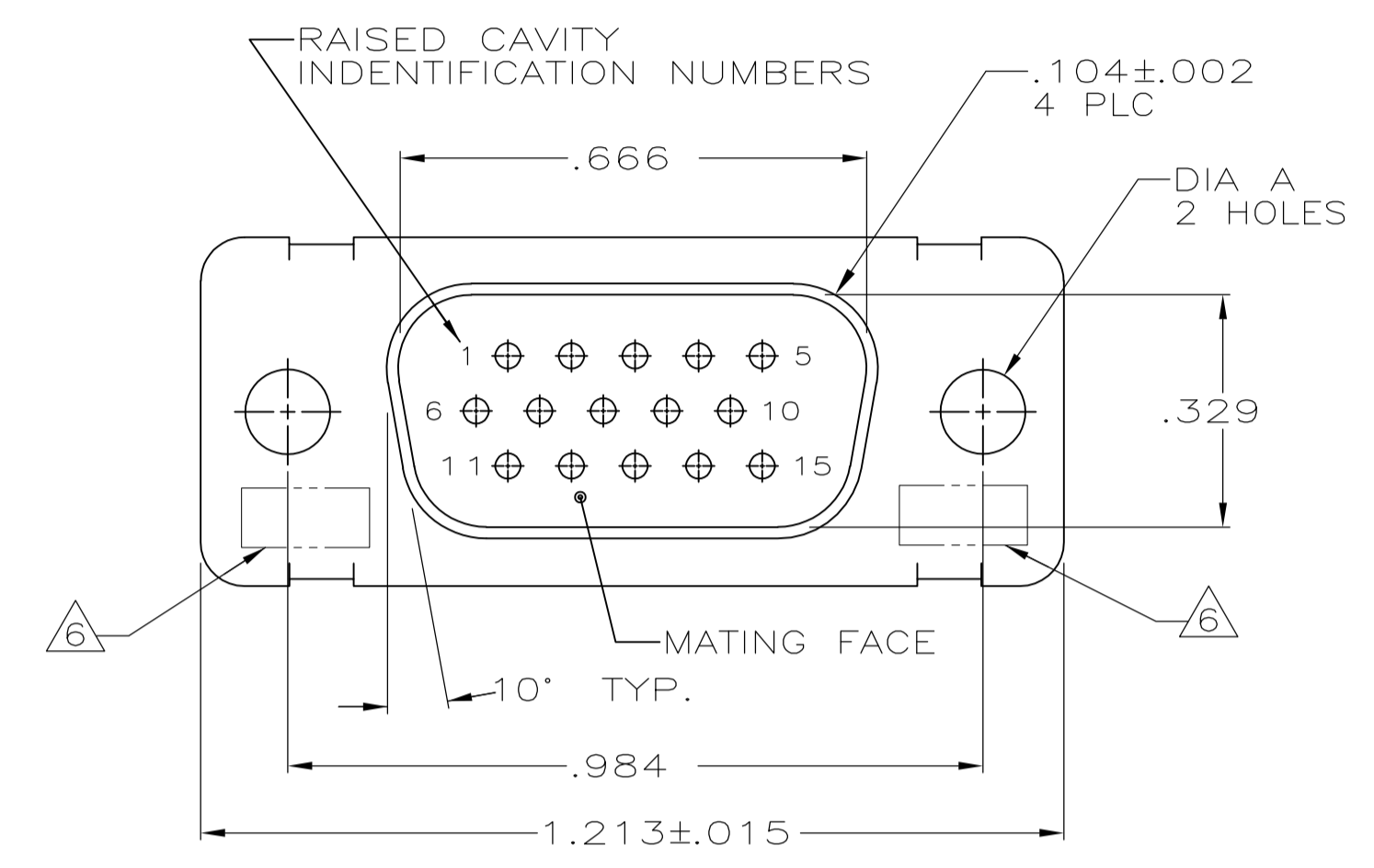
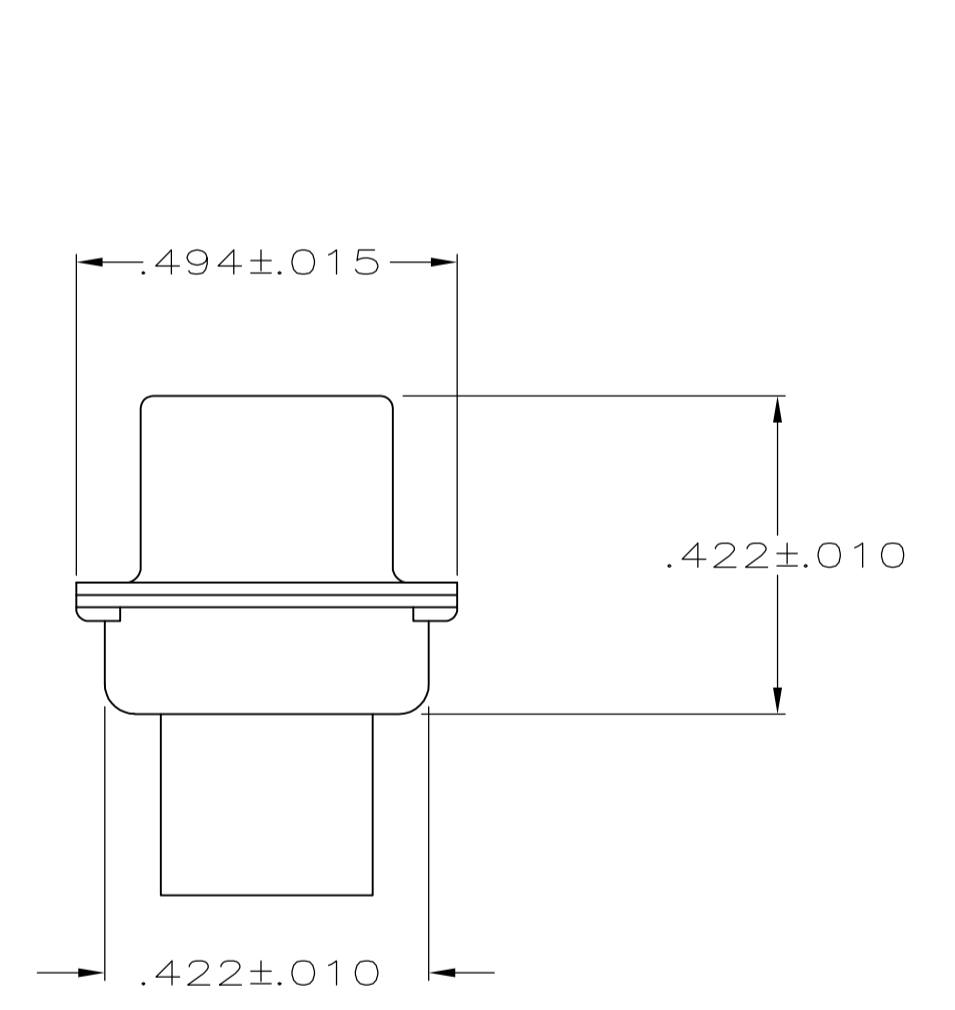


- THIS PLUG WILL MATE WITH ANY RECEPTACLE CONNECTOR WITH THE SAME INSERT ARRANGEMENT AS DEFINED BY MS18273-2.
- MAXIMUM WIRE INSULATION USED WITH THIS RCPT. IS .054 DIA.
- Be-Cu RETENTION CLIPS ARE INCLUDED IN INSERTS.
- AMP PART NO. ONLY, STAMPED AS SHOWN.
- THESE CONNECTORS ARE QUALIFIED TO GODDARD SPACE FLIGHT CENTER SPECIFICATION S-311-P-4.
- UL/CSA DESIGNATION STAMPED IN THIS AREA, OPTIONAL.
- CUSTOMER PART NUMBER MAY BE SPLIT BETWEEN FRONT AND REAR SHELLS, SAME SIDE.
- 25 CONTACTS, AMP PART NUMBER 204370-8, SUPPLIED WITH EACH CONNECTOR.
- CONNECTOR LOADED WITH POSTED CONTACTS. INSPECTION REQUIREMENTS PER GENERAL ELECTRIC DOCUMENT 20025720.
- RESTRICTED TO CAE ELECTRONICS.
- CONNECTOR LOADED WITH POSTED CONTACTS.
- CONNECTOR LOADED WITH POSTED CONTACTS. INSPECTION REQUIREMENTS PER LOCKHEED-MARTIN DOCUMENT 20131204



MATL: POLYPHENYLENE SULFIDE (PPS) GST-40F PER MIL-M-24519 OR GLASS FILLED POLYESTER, TPES013G30 PER ASTM D5927 COLOR, BLACK



CONTACT P/N 204370-8
 GSFC G-08-P1
 (SUPPLIED WITH 209498-8 ONLY)

PRELIMINARY	12	.150±.025	.120	20131204P2015P	1-206498-4	1-206498-4
		-	.120	570566-7	1-206498-3	1-206498-3
	11	.175±.025	.120	-	1-206498-2	1-206498-2
	10	-	.120	311P407-1P-B-12	206498-4	1-206498-1
	9	-	.154	311P407-1P-B-15	206498-1	1-206498-0
	8	.150±.025	.120	2002570P2015P	206498-9	206498-9
		-	.120	3261113-7	206498-8	206498-8
		-	.154	1622251-003	206498-7	206498-7
OBSOLETE		-	.120	R4383P15P	206498-6	206498-6
		-	.120	R4383P15P-2	206498-5	206498-5
	5	-	.120	311P407-1P-B-12	206498-4	206498-4
		-	.154	206498-3	206498-3	206498-3
		-	.120	R9259P15P	206498-2	206498-2
	4	-	.154	311P407-1P-B-15	206498-1	206498-1
REMARKS		DIM B	DIA A	MARKED CUSTOMER P/N	MARKED AMP P/N	AMP P/N

THIS DRAWING IS A CONTROLLED DOCUMENT.

DIMENSIONS: INCHES	TOLERANCES UNLESS OTHERWISE SPECIFIED:	0 PLC ± -	1 PLC ± -	2 PLC ± -	3 PLC ± .005	4 PLC ± -	ANGLES ± -
MATERIAL: SEE CALLOUTS	FINISH: SEE CALLOUTS	WEIGHT: -	SIZE: A1	CAGE CODE: 00779	DRAWING NO: 206498	RESTRICTED TO: -	

APPROVED: D. MILLER, 05OCT06
 DESIGNED: P. YEAGER, 02OCT2006
 Tyco Electronics Corporation, Harrisburg, PA 17105-3608
 PRODUCT SPEC: PLUG, PIN CONTACTS HI-DENSITY D CONNECTOR SIZE 1, 15 POSN, NONMAGNETIC
 APPLICATION SPEC: -
 SCALE: 4:1 SHEET 1 OF 1 REV AD