

POSITIONS/ CONTACTS	A		B		C	
	INCH	MM	INCH	MM	INCH	MM
03/06	0.157	4.00	0.260	6.60	0.079	2.00
04/08	0.236	6.00	0.339	8.60	0.157	4.00
05/10	0.315	8.00	0.417	10.60	0.236	6.00
06/12	0.394	10.00	0.496	12.60	0.315	8.00
07/14	0.472	12.00	0.575	14.60	0.394	10.00
08/16	0.551	14.00	0.654	16.60	0.472	12.00
09/18	0.630	16.00	0.732	18.60	0.551	14.00
10/20	0.709	18.00	0.811	20.60	0.630	16.00
11/22	0.787	20.00	0.890	22.60	0.709	18.00
12/24	0.866	22.00	0.969	24.60	0.787	20.00
13/26	0.945	24.00	1.047	26.60	0.866	22.00
14/28	1.024	26.00	1.126	28.60	0.945	24.00
15/30	1.102	28.00	1.205	30.60	1.024	26.00
16/32	1.181	30.00	1.283	32.60	1.102	28.00
17/34	1.260	32.00	1.362	34.60	1.181	30.00
18/36	1.339	34.00	1.441	36.60	1.260	32.00
19/38	1.417	36.00	1.520	38.60	1.339	34.00
20/40	1.496	38.00	1.598	40.60	1.417	36.00
21/42	1.575	40.00	1.677	42.60	1.496	38.00
22/44	1.654	42.00	1.756	44.60	1.575	40.00
23/46	1.732	44.00	1.835	46.60	1.654	42.00
24/48	1.811	46.00	1.913	48.60	1.732	44.00
25/50	1.890	48.00	1.992	50.60	1.811	46.00
26/52	1.969	50.00	2.071	52.60	1.890	48.00
27/54	2.047	52.00	2.150	54.60	1.969	50.00
28/56	2.126	54.00	2.228	56.60	2.047	52.00
29/58	2.205	56.00	2.307	58.60	2.126	54.00
30/60	2.283	58.00	2.386	60.60	2.205	56.00
31/62	2.362	60.00	2.465	62.60	2.283	58.00
32/64	2.441	62.00	2.543	64.60	2.362	60.00
33/66	2.520	64.00	2.622	66.60	2.441	62.00
34/68	2.598	66.00	2.701	68.60	2.520	64.00
35/70	2.677	68.00	2.780	70.60	2.598	66.00
36/72	2.756	70.00	2.858	72.60	2.677	68.00
37/74	2.835	72.00	2.937	74.60	2.756	70.00
38/76	2.913	74.00	3.016	76.60	2.835	72.00
39/78	2.992	76.00	3.094	78.60	2.913	74.00
40/80	3.071	78.00	3.173	80.60	2.992	76.00

**PART NUMBER CODING**

**xPPNxx2GFNx-RC**

**TERMINATION TYPES**

P - SURFACE MOUNT W/ GUIDE POSTS  
S - SURFACE MOUNT W/O GUIDE POSTS

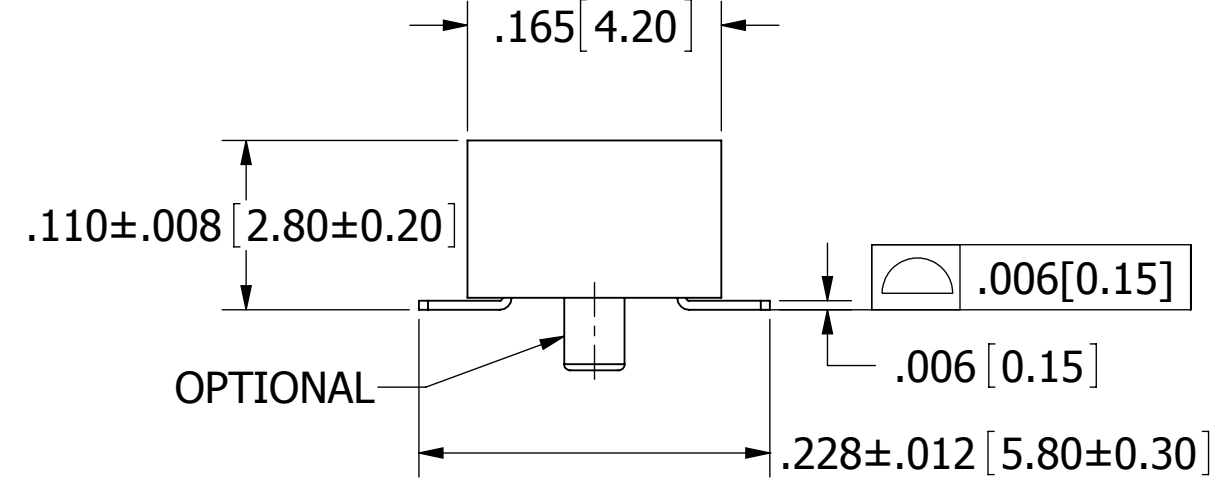
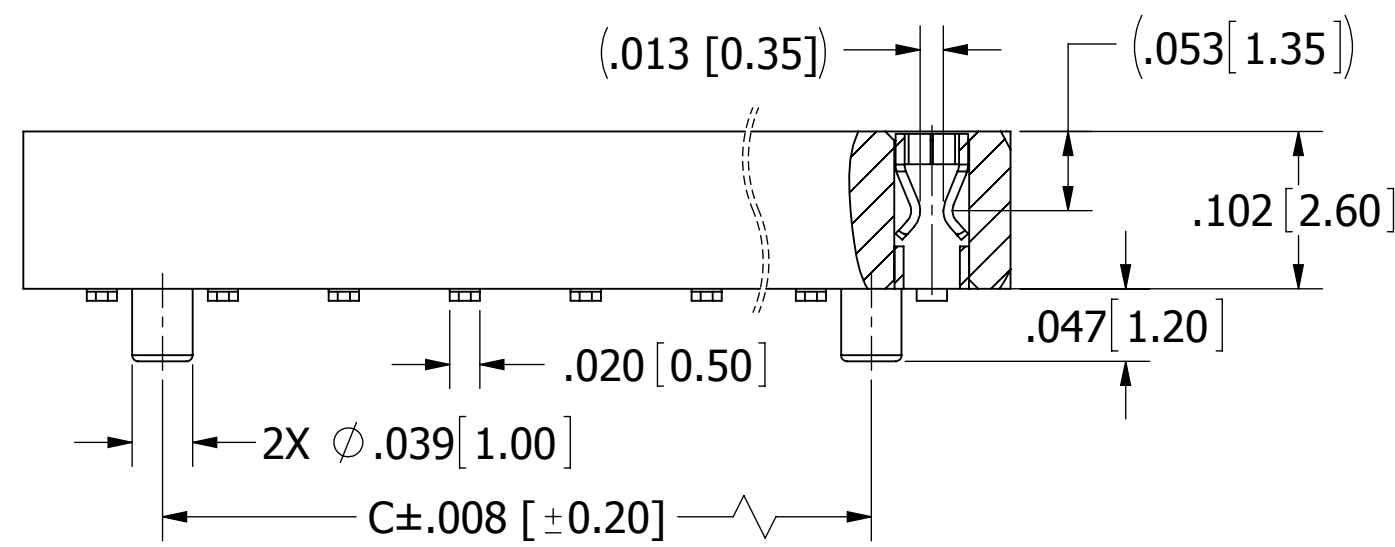
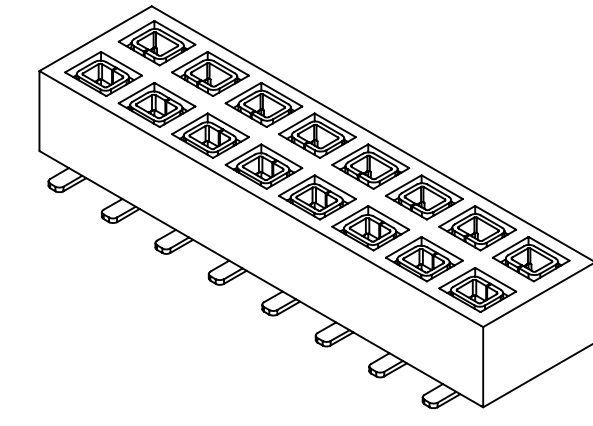
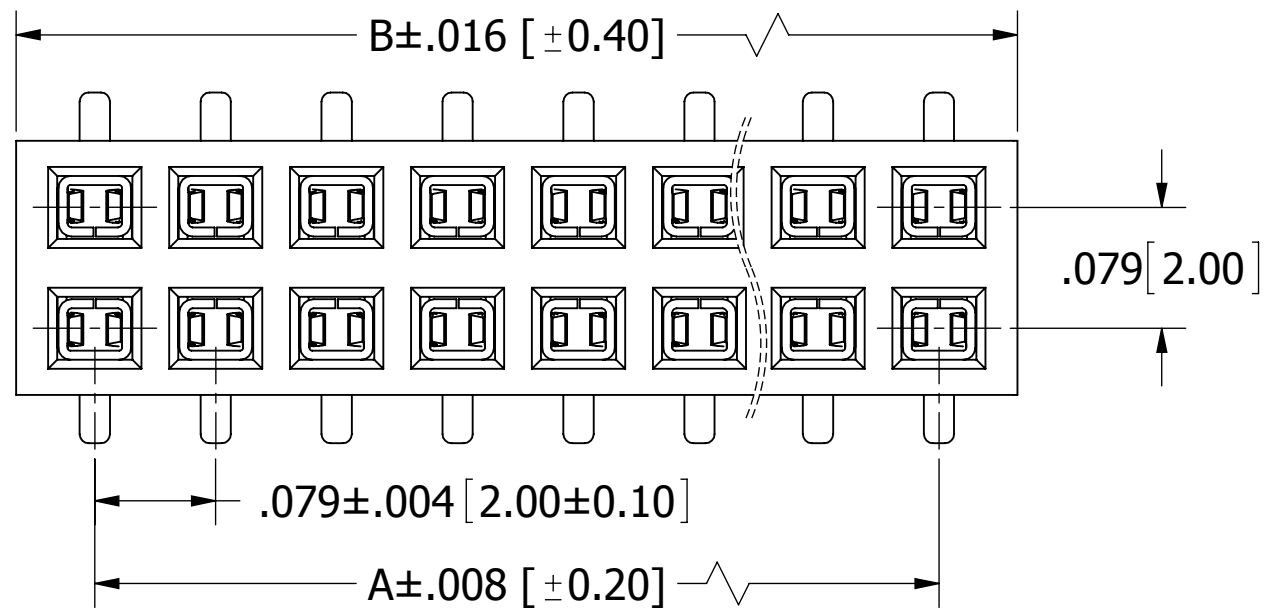
**NUMBER OF POSITIONS**

(CONTACTS PER ROW, 03 THRU 40)

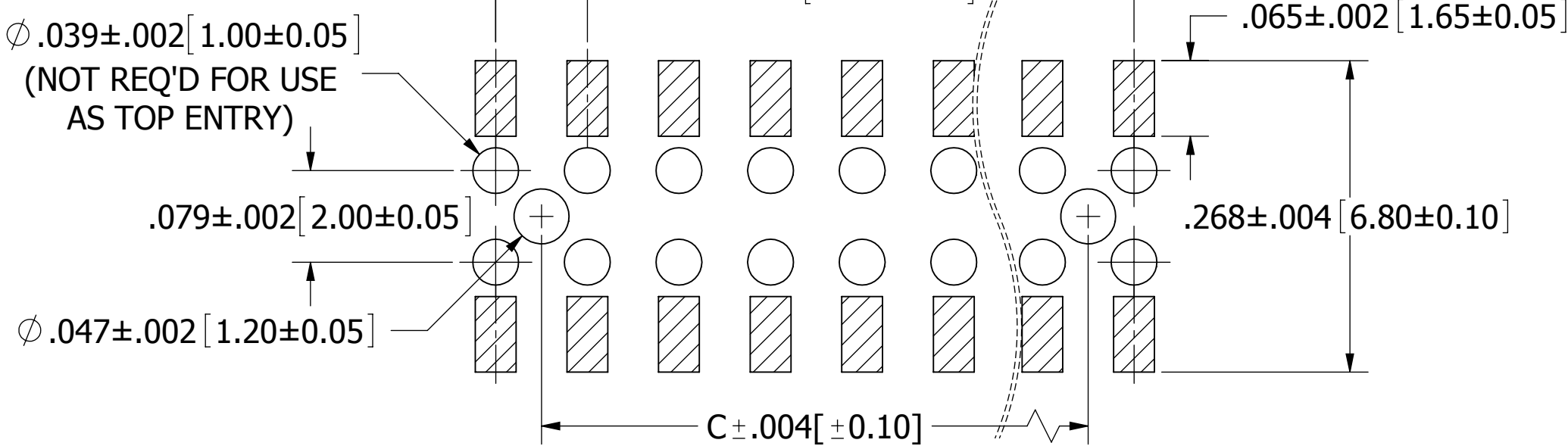
**INSULATOR MATERIAL**

N - NYLON 6T / PHOSPHOR BRONZE  
OPERATING TEMPERATURE: -40°C TO +105°C  
PROCESSING TEMPERATURE: WAVE/MANUAL SOLDERING  
L = LCP / PHOSPHOR BRONZE  
OPERATING TEMPERATURE: -40°C TO +125°C  
PROCESSING TEMPERATURE: 260°C MAX FOR 10 SECONDS

REVISIONS				
REV.	ECO. NO	DESCRIPTION	DATE	BY
E	2521	ADD CONTACT GAP DIMENSION 0.35mm & CONTACT DEPTH DIMENSION, ADD NOTE 11 MATING PARTS.	01/12/2012	LH
F	2829	ADD INSULATOR MATERIAL 'LCP' OPTION	12/10/2014	LH



02 - 20, 0.20mm MAX.  
21 - 30, 0.30mm MAX.  
31 - 40, 0.40mm MAX.



**RECOMMENDED PCB LAYOUT**

- NOTES:**
- INSULATOR MATERIAL: SEE PART NUMBER CODING, UL 94V-0, COLOR: BLACK
  - CONTACT MATERIAL: SEE PART NUMBER CODING
  - CONTACT PLATING: .000030"-.000050" NICKEL, UNDERPLATED, GOLD FLASH OVERALL
  - CURRENT RATING: 2 AMPS
  - INSULATOR RESISTANCE: 5000 MEGOHMS MIN
  - CONTACT RESISTANCE: 20 MILLIOHMS MAX
  - DIELECTRIC WITHSTANDING: 500 VAC
  - OPERATING TEMPERATURE: SEE PART NUMBER CODING
  - PROCESSING TEMP.: SEE PART NUMBER CODING
  - TOP/BOTTOM ENTRY
  - MATES WITH SULLINS .079 [2.00] CONTACT CENTER MALE HEADER SERIES (.020 [0.50] SQ POSTS)



UNLESS OTHERWISE SPECIFIED: DIMENSIONS ARE IN INCHES [MM]	DRAWN	DATE	NAME	
		01/09/2009	JH	
TOLERANCES:				TITLE <b>HEADER, FEMALE 2mm CC, 2 ROWS, SMT</b> PART NUMBER <b>xPPNxx2GFNx-RC</b>
ANGULAR: ± 1°				
DECIMALS				SIZE <b>C</b>
X.X= ± .012 [ .30]				CAGE CODE <b>54453</b>
XX.X= ± .008 [ .20]				DWG. NO. <b>10484</b>
.XXX= ± .006 [ .15]				REV <b>F</b>
SCALE: 12:1				SHEET 1 OF 1