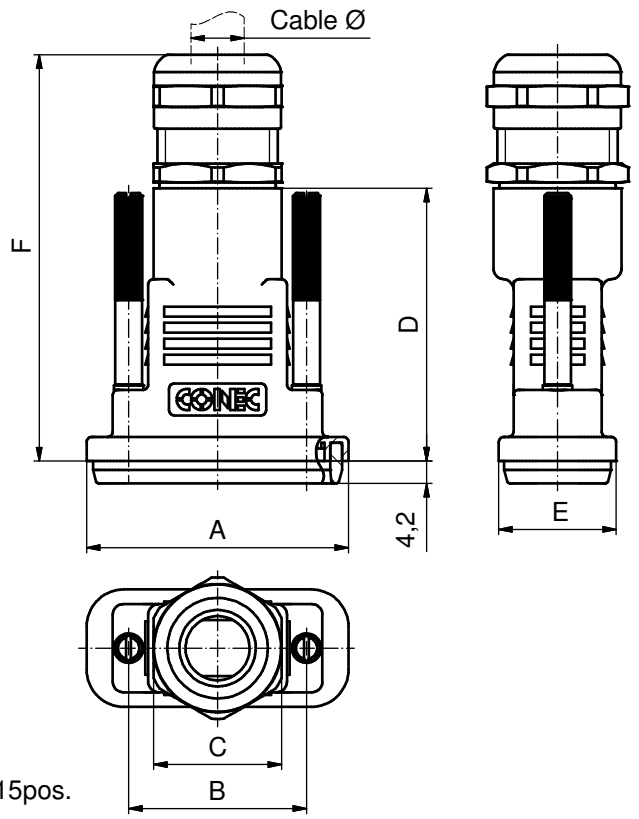
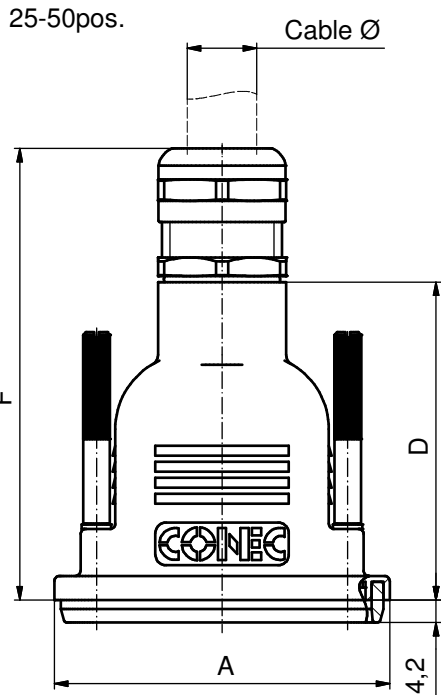


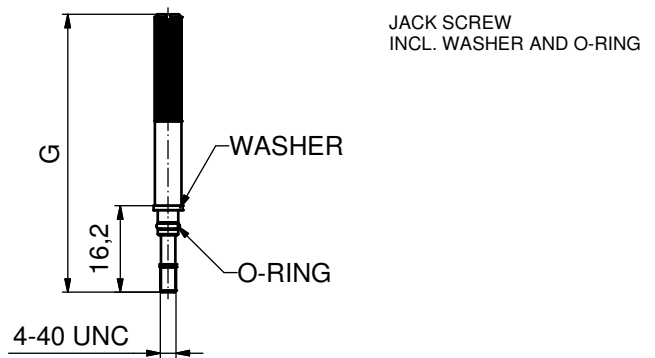
9pos.



15pos.

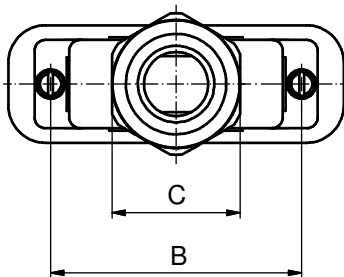


25-50pos.



JACK SCREW
INCL. WASHER AND O-RING

- NOTES:**
1. HOOD: ABS V0, METALLIZED
TEMPERATURE RANGE -30°C TO +90°C
 2. GLAND: BRASS; NICKEL PLATED
TEMPERATURE RANGE -30°C TO +90°C
 3. FRONTSEALING: TPE UL 94 V0
TEMPERATURE RANGE -30°C TO +90°C
 4. O-RING FOR GLAND: NBR
TEMPERATURE RANGE -30°C TO +90°C
 5. JACK SCREW: STAINLESS STEEL
RECOMMENDED TORQUE: 30 Ncm
 6. WASHER: STAINLESS STEEL
 7. O-RING FOR JACK SCREW: NBR
TEMPERATURE RANGE -30°C TO +90°C



Shell-size	A	B	C	D	E	F	G	Cable Ø	RECOMMENDED TORQUE FOR PG-GLAND (d)	Part No. Bulk package	Part No. Single package (c)
1	40.76	25.0	SW 20	51.0	22.0	77.0	44.0	5 - 10	3,0 Nm	165X15019X	165X15019XE
2	49.06	33.3	SW 24	51.0	22.0	79.0	52.0	7 - 12	6,0 Nm	165X15029X	165X15029XE
3	62.80	47.04	SW 24	59.5	22.0	87.5	52.0	7 - 12	6,0 Nm	165X15039X	165X15039XE
4	78.86	63.5	SW 30	67.0	22.0	99.0	52.0	9 - 16	8,0 Nm	165X15049X	165X15049XE
5	76.46	61.1	SW 40	67.0	24.8	107.0	52.0	13 - 20	10,0 Nm	165X15059X	165X15059XE

Directive 2002/95/EC RoHS compliant

THIS DRAWING MAY NOT BE COPIED OR REPRODUCED IN ANY WAY, AND MAY NOT BE PASSED ON TO A THIRD PARTY WITHOUT WRITTEN PERMISSION. OWNERSHIP AND COPYRIGHT OF CONEC GmbH

DO NOT ALTER CAD DRAWING BY HAND

tolerance		dim. in mm	
date	name	date	name
03.03.04	Lehmenkühler	03.03.04	Mickenbecker
14.02.2012	K.H.	21.10.2010	K.H.
29.04.2009	Lehmen		
14.02.2012	K.H.		
21.10.2010	K.H.		
29.04.2009	Lehmen		
Original			
rev.	description	date	name

scale:	1:1
material:	SEE NOTES
title:	WATER RESISTANT D-SUB HOOD 9-50pos. with jack screws
dwg no:	16K1A1115
part no:	SEE TABLE
DIN-A3	sh: 1

