

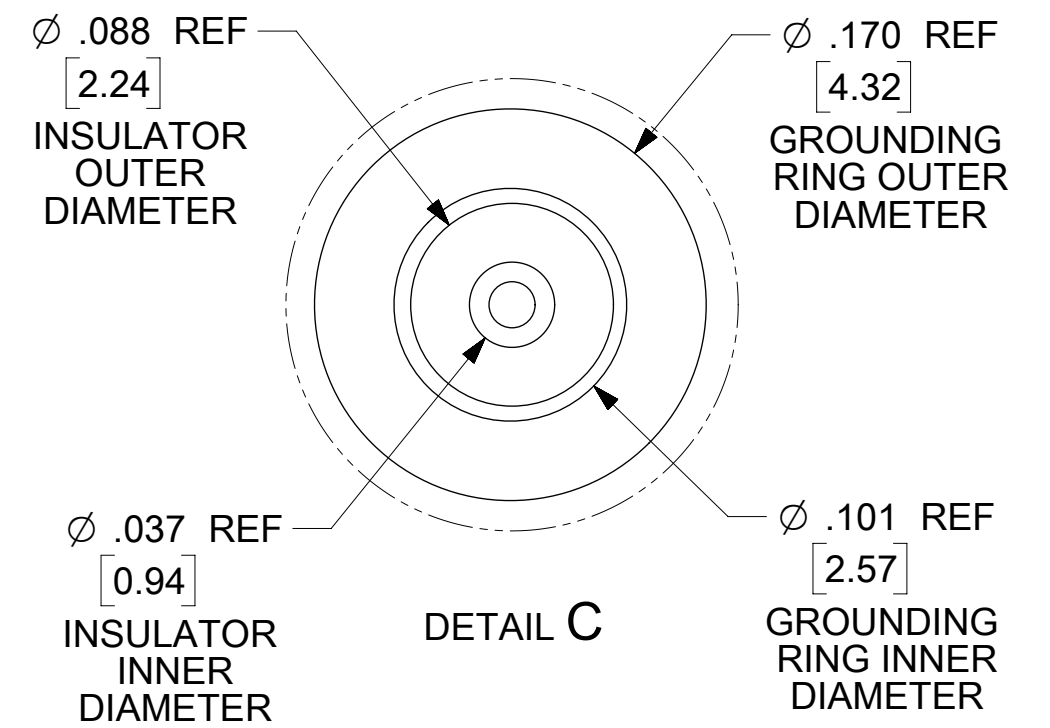
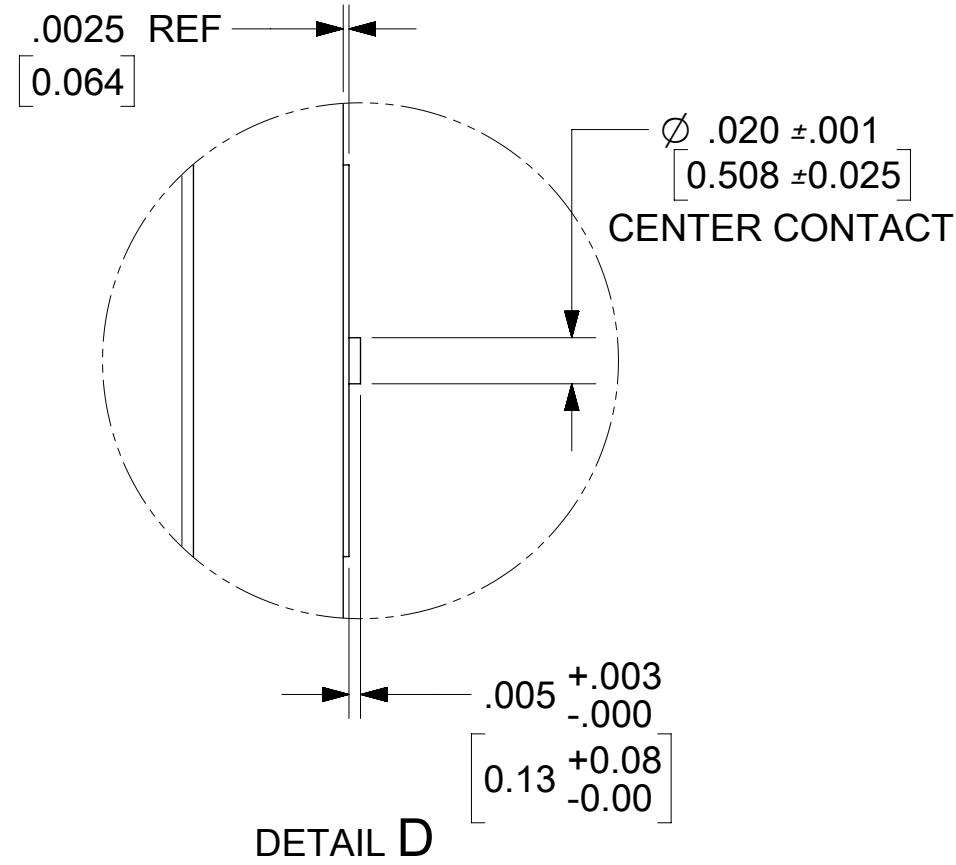
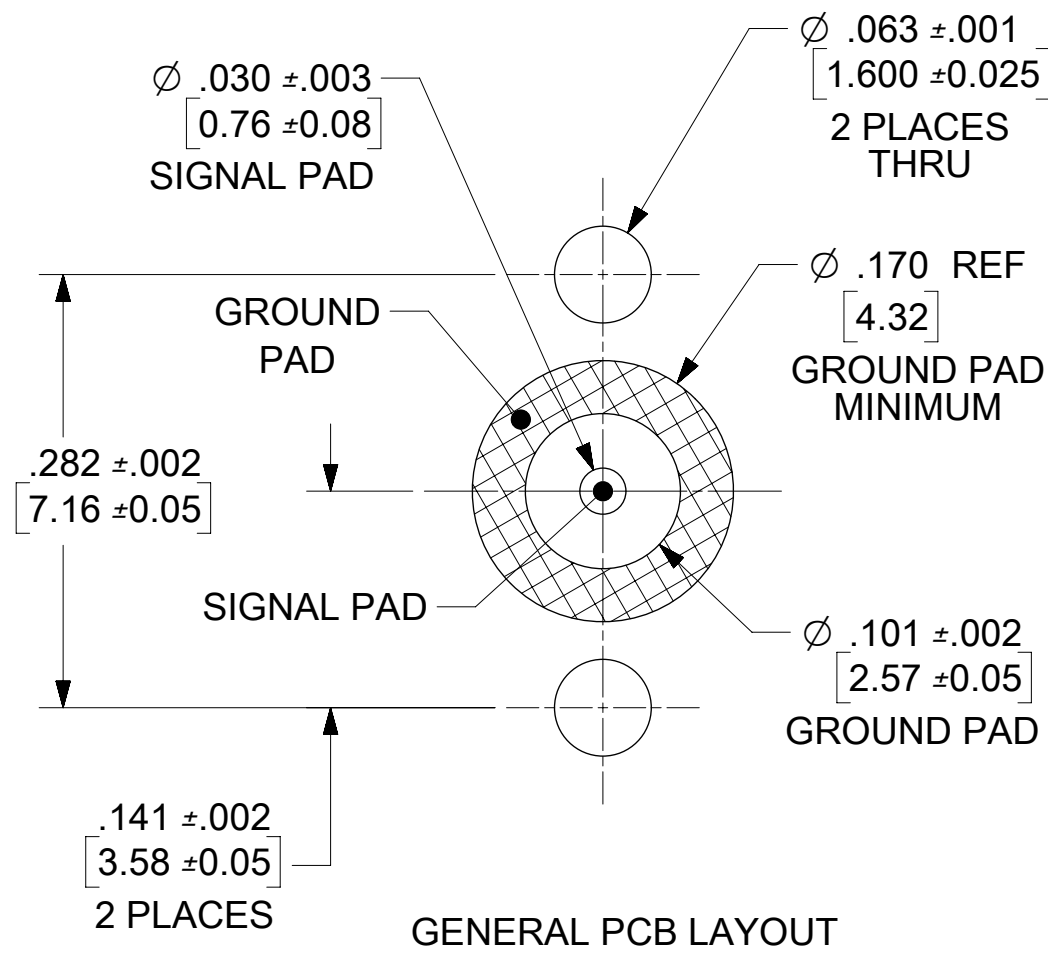
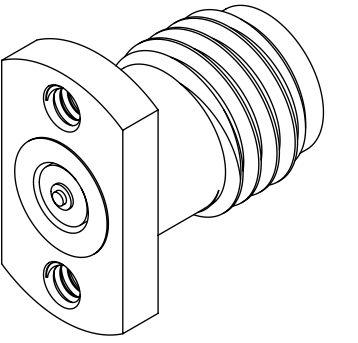
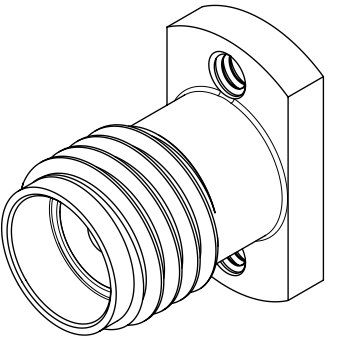
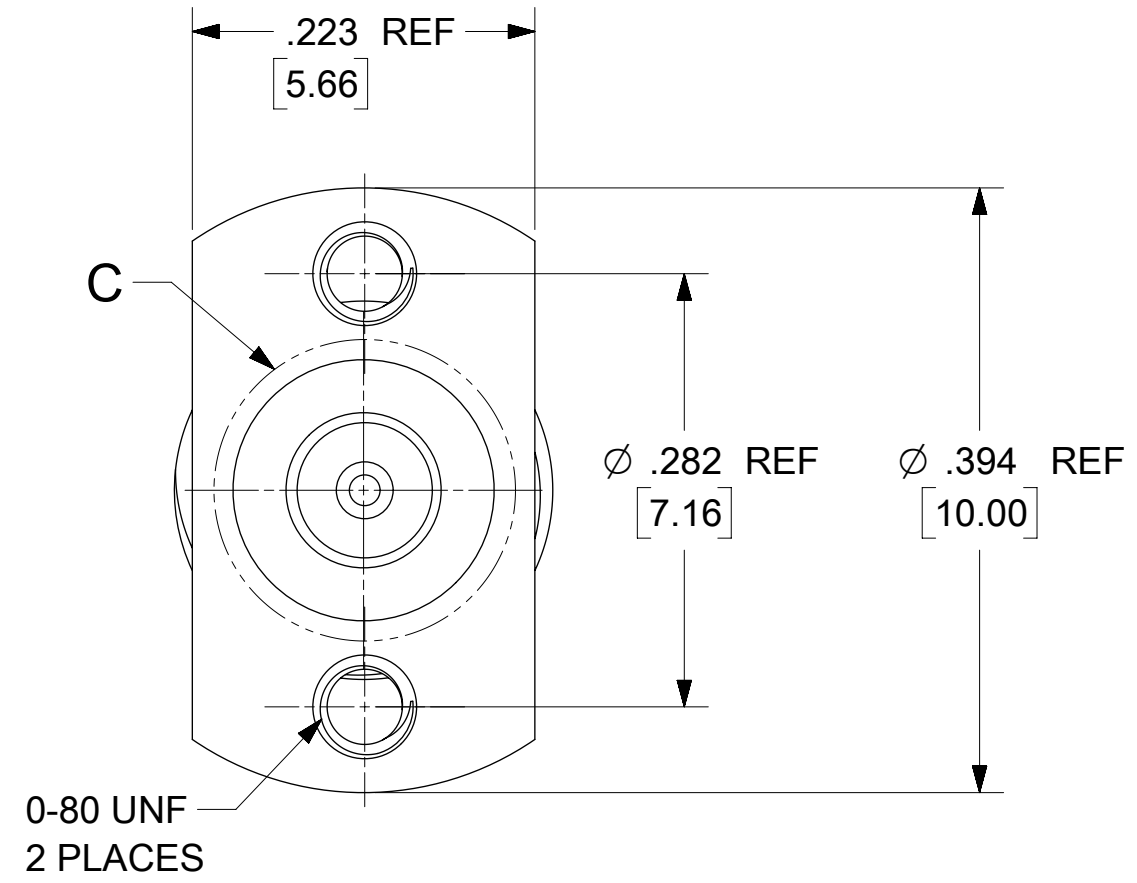
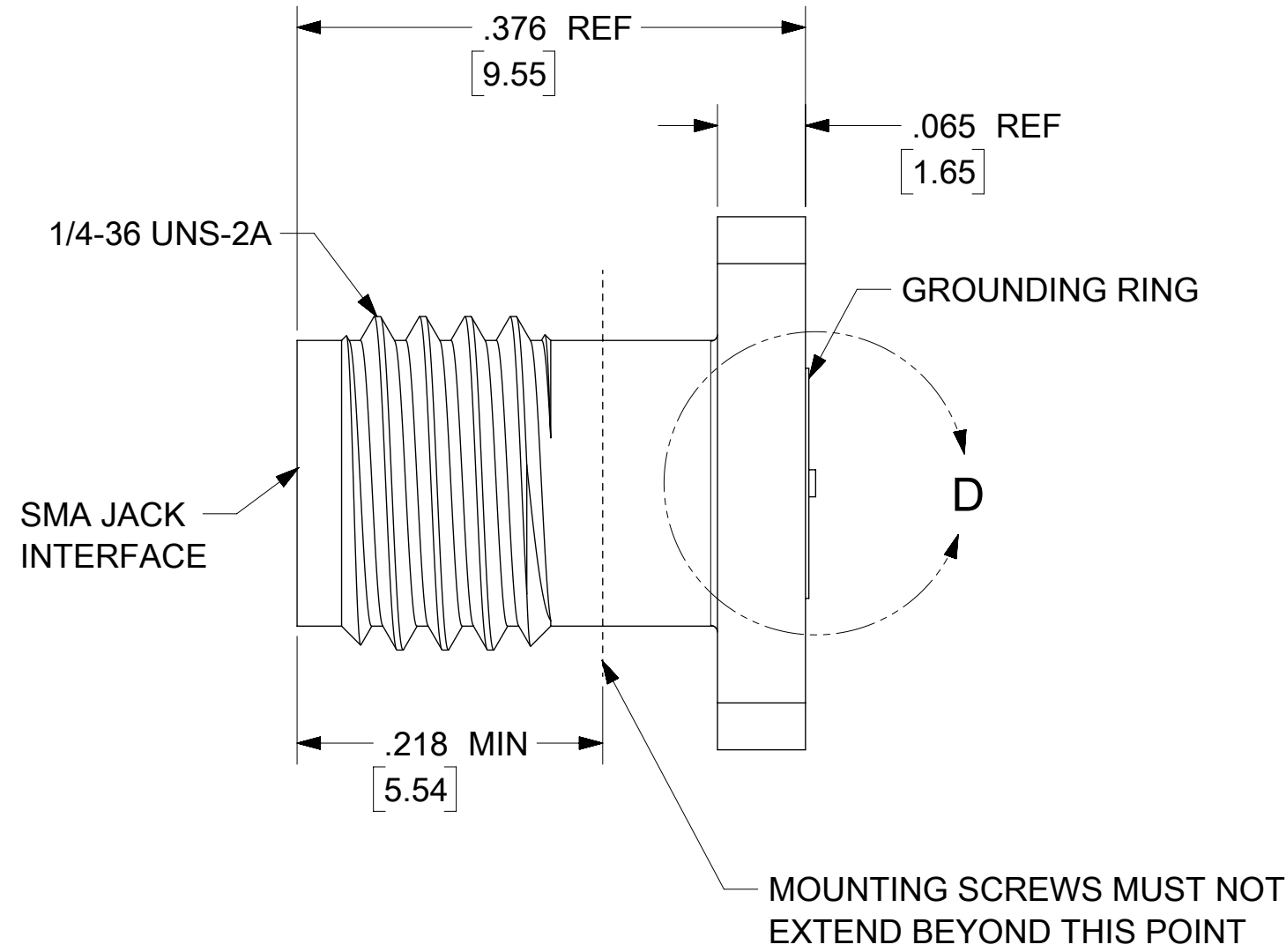
MATERIALS AND FINISHES:

BODY: STAINLESS STEEL
PLATED: PASSIVATE

CENTER CONTACT: BERYLLIUM COPPER
PLATED: GOLD (50μ-in) MIN
OVER NICKEL (100μ-in) MIN

INSULATOR: PTFE

SCREW: STAINLESS STEEL
PLATED: PASSIVATE



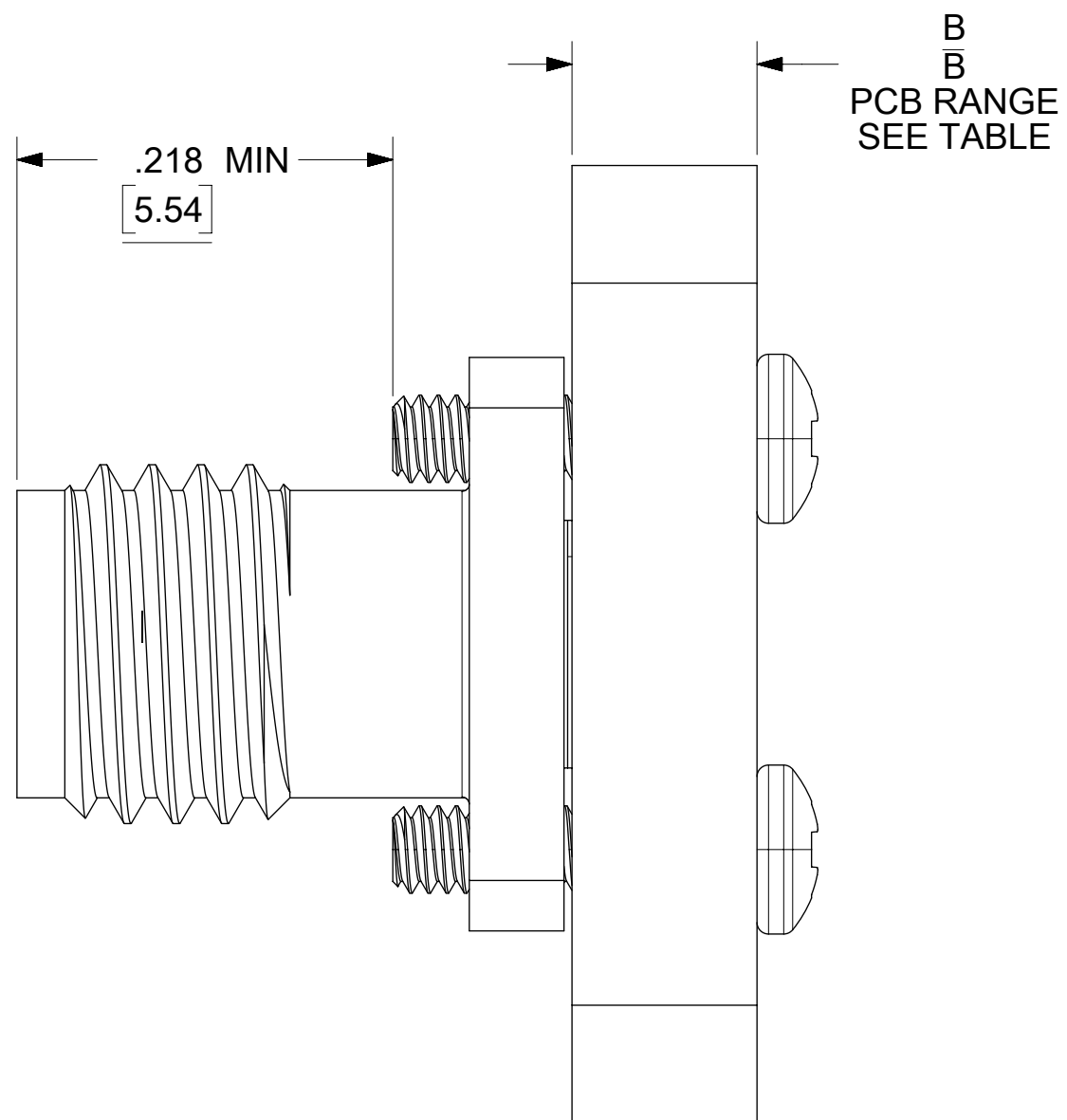
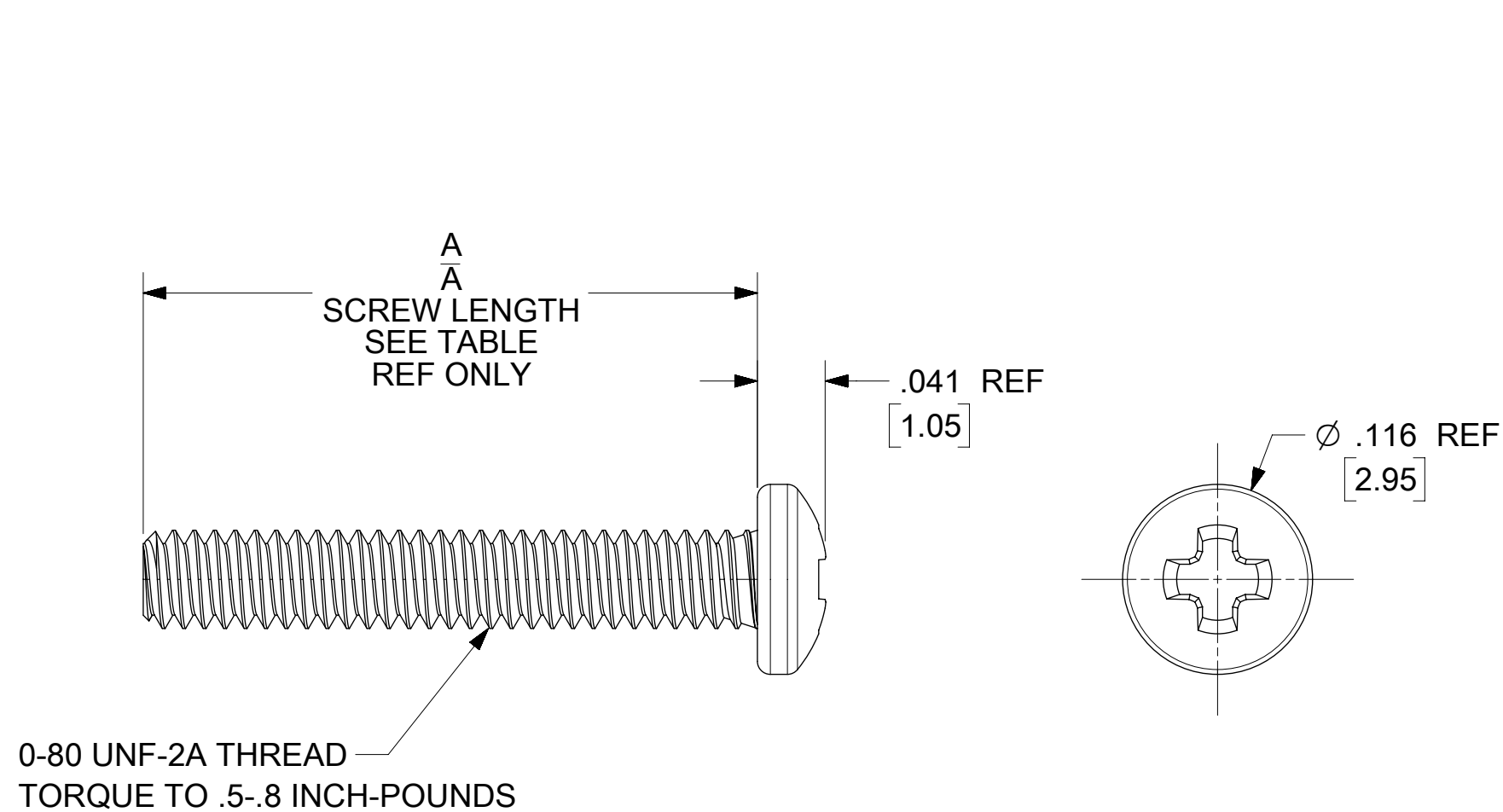
QUALITY SYMBOLS	THIS DRAWING CONTAINS INFORMATION THAT IS PROPRIETARY TO MOLEX ELECTRONIC TECHNOLOGIES, LLC AND SHOULD NOT BE USED WITHOUT WRITTEN PERMISSION			
	GENERAL TOLERANCES (UNLESS SPECIFIED)		DIMENSION UNITS	SCALE
▽ = 0	4 PLACES ±		INCH	
▽ = 0	3 PLACES ± ± 0.010		DRWN BY	DATE
▽ = 0	2 PLACES ± 0.25 ±		APRAKASH01	2015/09/01
▽ = 0	1 PLACES ± ±		CHK'D BY	DATE
▽ = 0	0 PLACES ± ±		BBHARADWAJD	2017/02/20
▽ = 0	ANGULAR TOL = 2		APPR BY	DATE
▽ = 0	DRAFT WHERE APPLICABLE MUST REMAIN WITHIN DIMENSIONS		AROBERTSON	2015/09/01
▽ = 0			DRAWING SIZE	THIRD ANGLE PROJECTION
▽ = 0			C	
CHANGED RSD TO SD				
EC NO: 113920			SMA JACK, FLANGE WITH	
DRWN: BBHARADWAJD			0-80 THD, 50 OHM 27 GHZ EWR-3690 SMA-J/R/F	
CHKD: BBHARADWAJD			PRODUCT CUSTOMER DRAWING	
APPR: BBHARADWAJD			SERIES MATERIAL NUMBER CUSTOMER	
A8			73251 SEE TABLE	
REV			DOCUMENT NUMBER	
			SD-73251-348	
			DOC TYPE DOC PART SHEET NUMBER	
			PSD 000 1 OF 2	

MATERIALS AND FINISHES

SEE SHEET 1

PCB LAYOUT

SEE SHEET 1



FOR ADDITIONAL APPLICATION NOTES
SEE SHEET 3 OF SD-73251-185

73251-3485	.13/3.2	.050+0.00/-0.040	1.27+0.00/-1.02	2
73251-3484	.38/9.5	.255+0.040/-0.02	6.48+1.02/-0.51	2
73251-3483	.25/6.4	.130+0.040/-0.02	3.30+1.02/-0.51	2
73251-3481	.19/4.8	.062+0.040/-0.01	1.57+1.02/-0.25	2
PART NO.	(IN/MM)	IN	MM	SCREWS (QTY)
	DIM A	DIM B		

THIS DRAWING CONTAINS INFORMATION THAT IS PROPRIETARY TO MOLEX ELECTRONIC TECHNOLOGIES, LLC AND SHOULD NOT BE USED WITHOUT WRITTEN PERMISSION

QUALITY SYMBOLS	CHANGED RSD TO SD	EC NO: 113920 DRWN: BBHARADWAJD CHKD: BBHARADWAJD REV APPR: BBHARADWAJD	GENERAL TOLERANCES (UNLESS SPECIFIED)		DIMENSION UNITS	SCALE	molex®
			MM	INCH	INCH		
▽ = 0			4 PLACES ±	±	DRWN BY	DATE	SMA JACK, FLANGE WITH 0-80 THD, 50 OHM 27 GHZ EWR-3690 SMA-J/R/F
▽ = 0			3 PLACES ±	± 0.010	APRAKASH01	2015/09/01	
▽ = 0			2 PLACES ±	± 0.25	CHK'D BY	DATE	PRODUCT CUSTOMER DRAWING
▽ = 0			1 PLACES ±	±	BBHARADWAJD	2017/02/20	
▽ = 0			0 PLACES ±	±	APPR BY	DATE	SERIES MATERIAL NUMBER CUSTOMER
▽ = 0					AROBERTSON	2015/09/01	
▽ = 0			ANGULAR TOL = 2		DRAWING SIZE	THIRD ANGLE PROJECTION	73251 SEE TABLE
▽ = 0			DRAFT WHERE APPLICABLE MUST REMAIN WITHIN DIMENSIONS		C		DOCUMENT NUMBER SD-73251-348
▽ = 0							DOC TYPE PSD DOC PART 000 SHEET NUMBER 2 OF 2