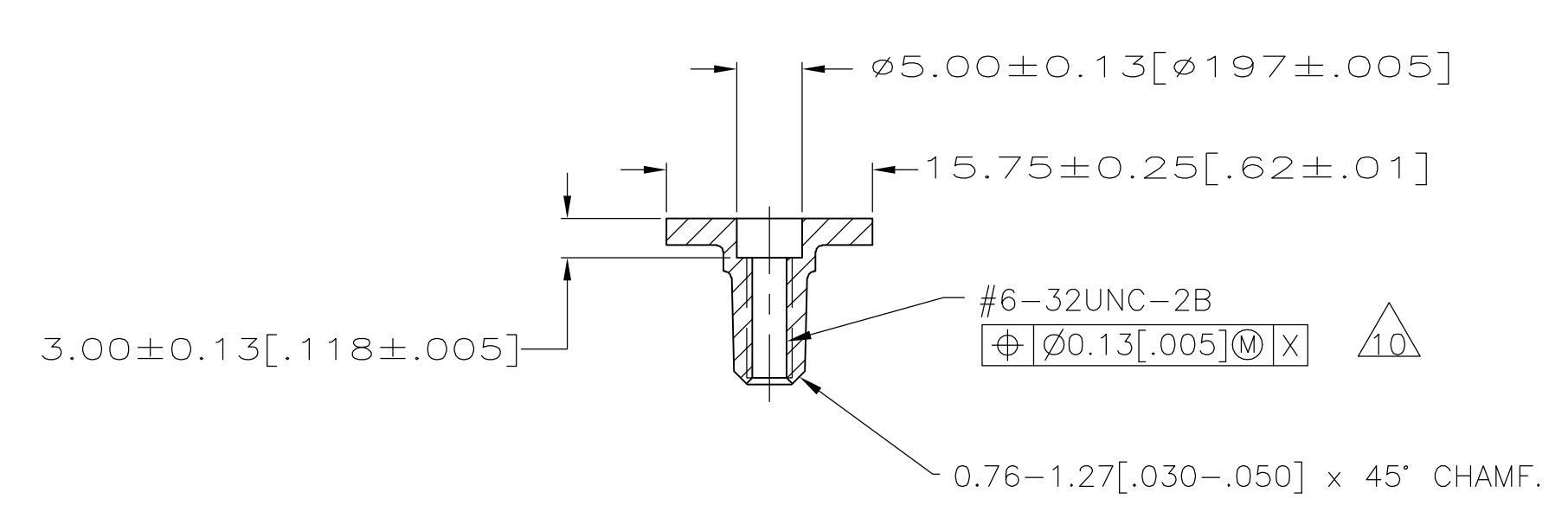
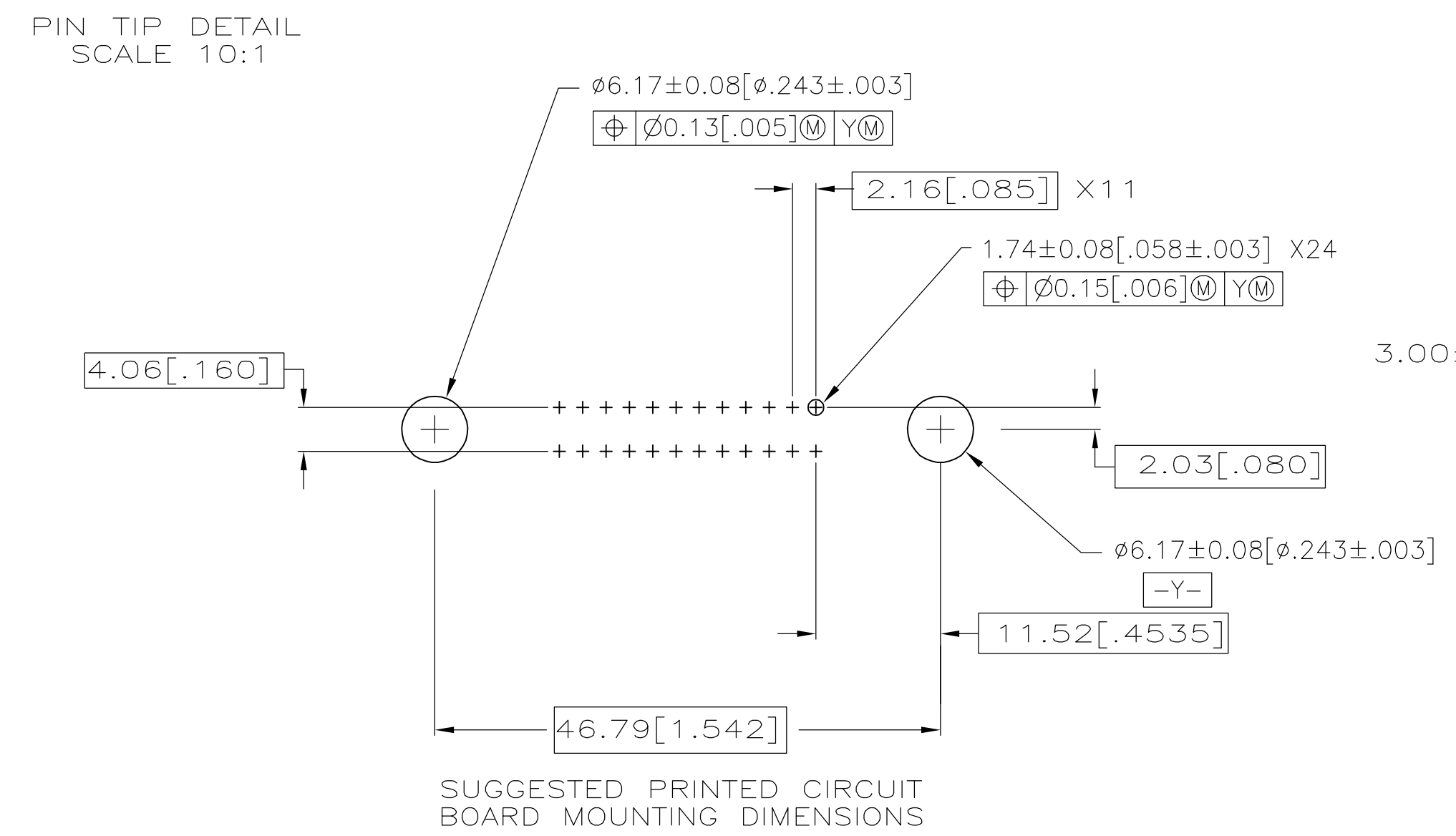
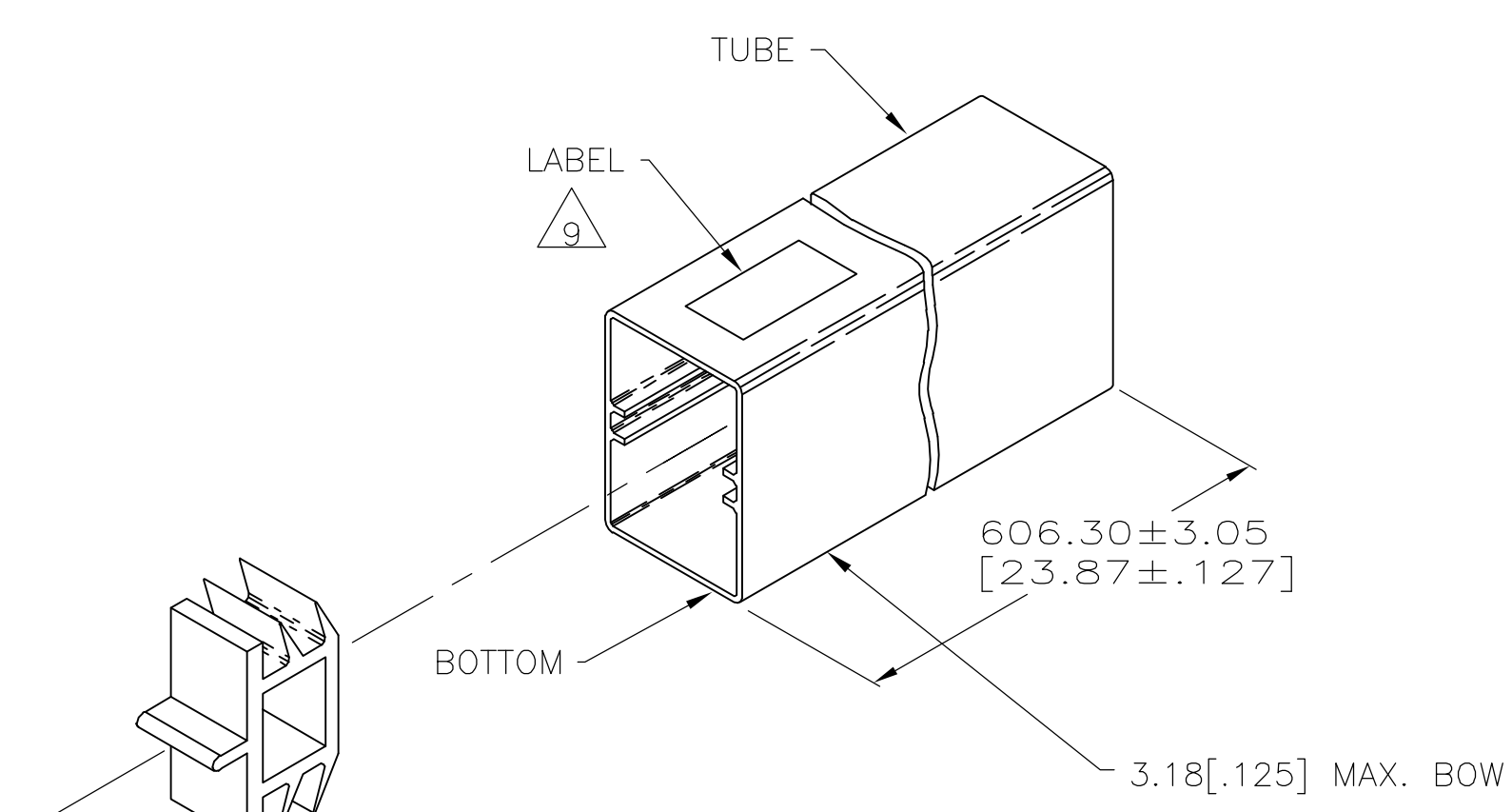
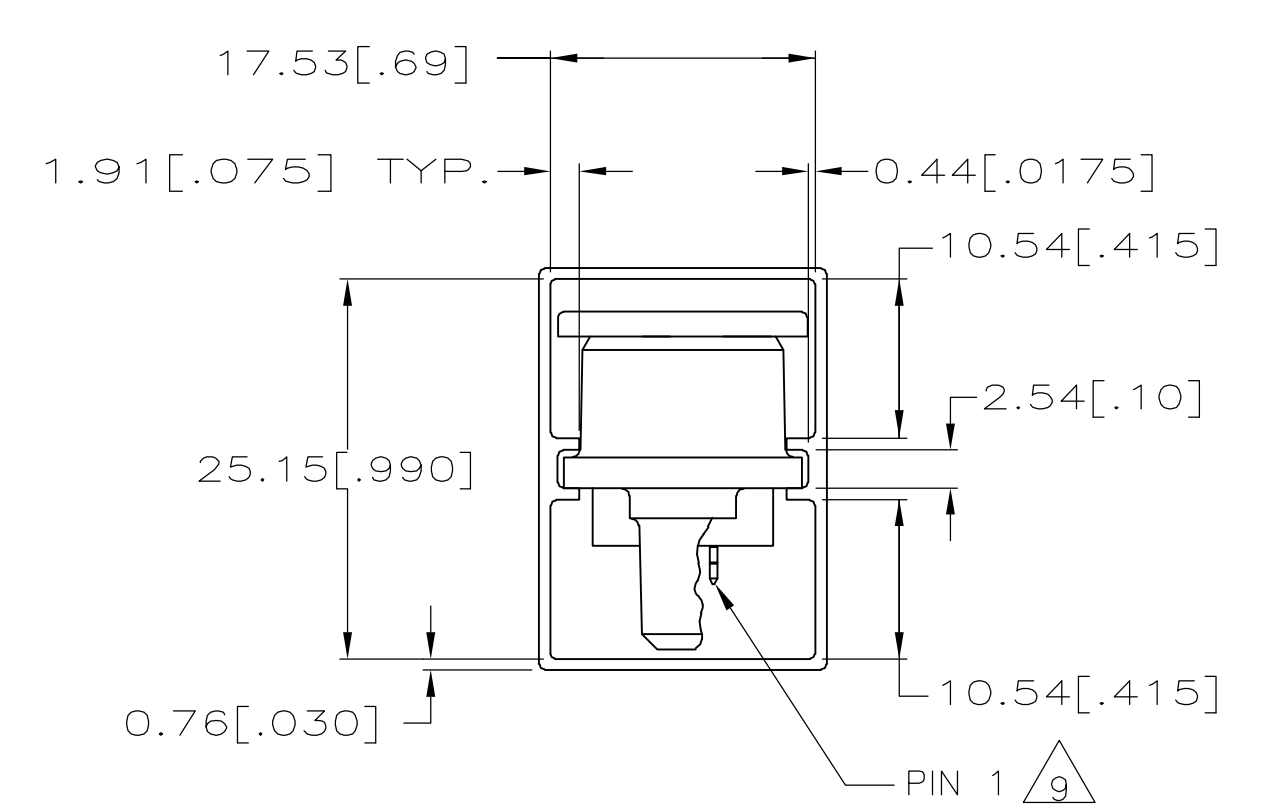
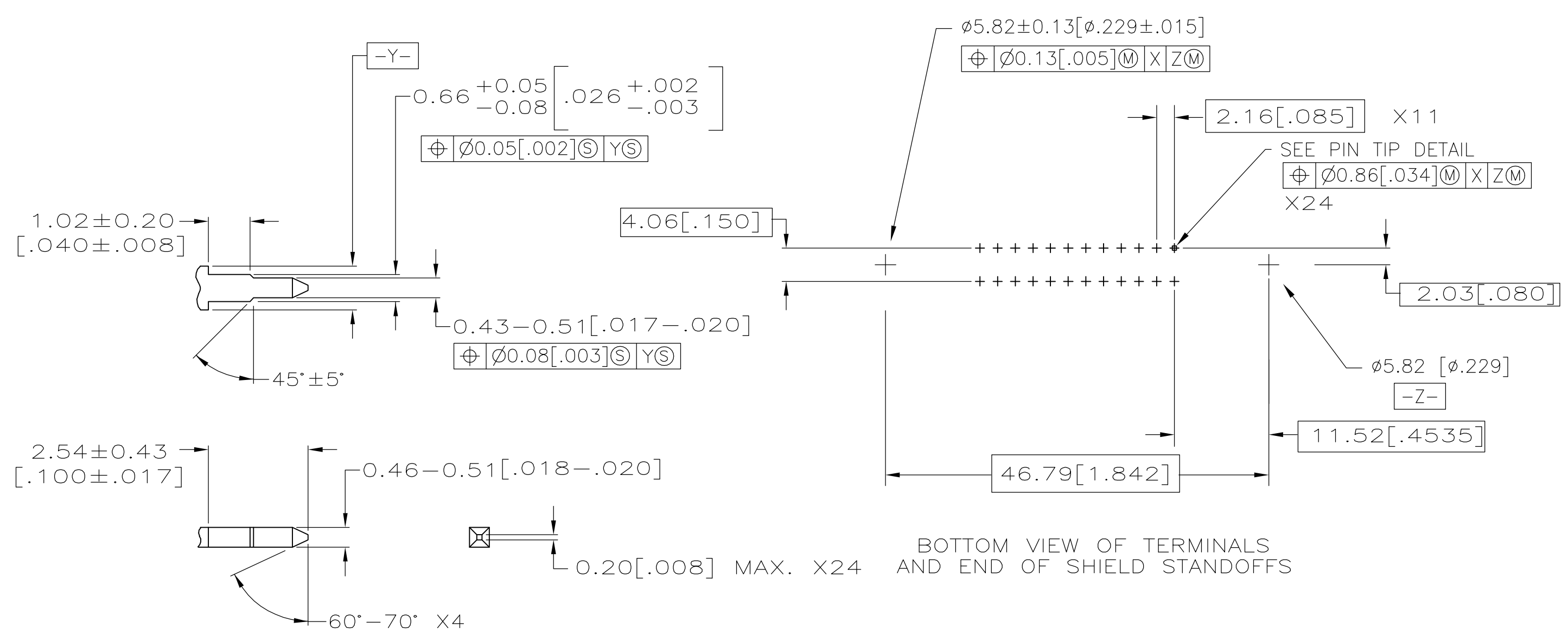
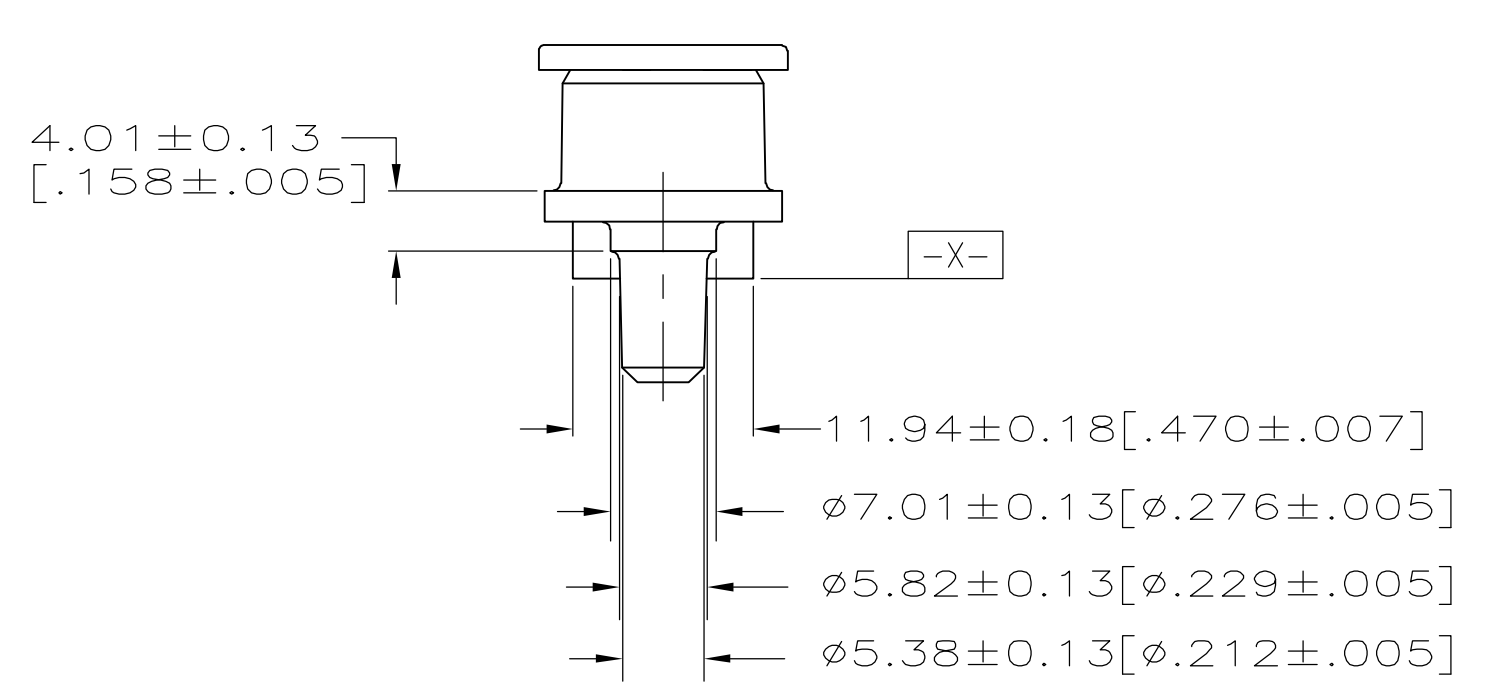
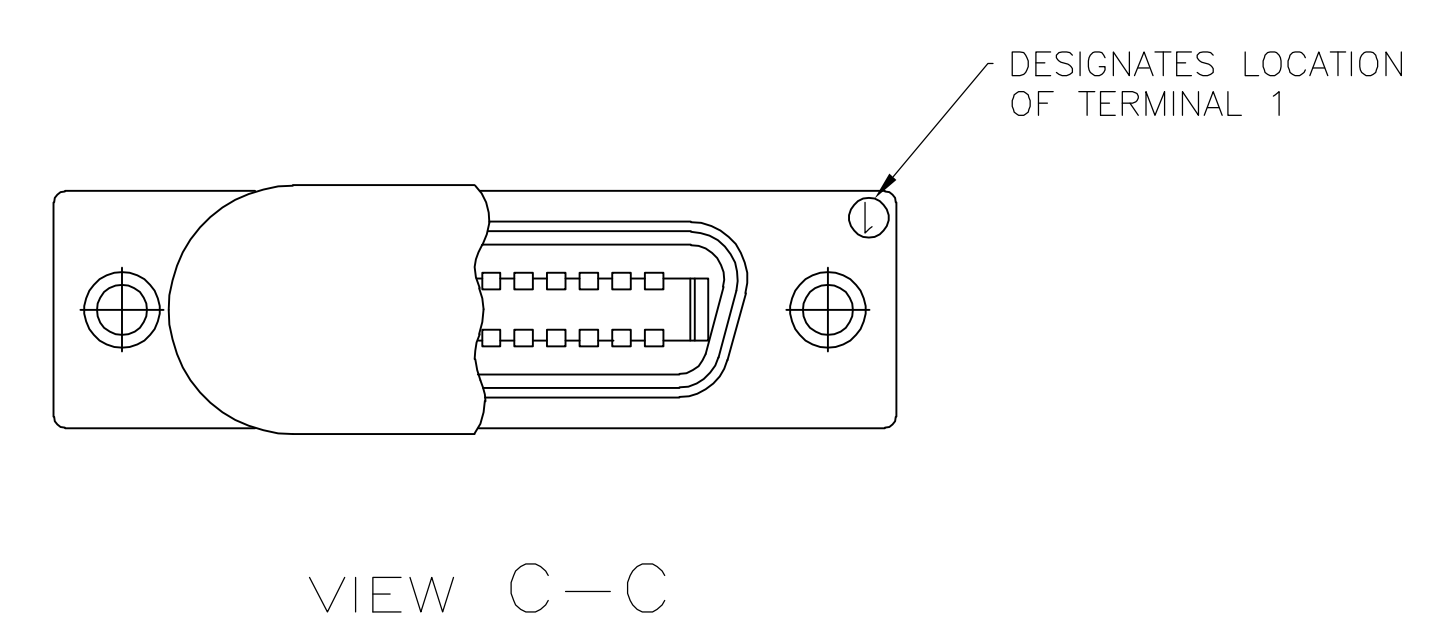
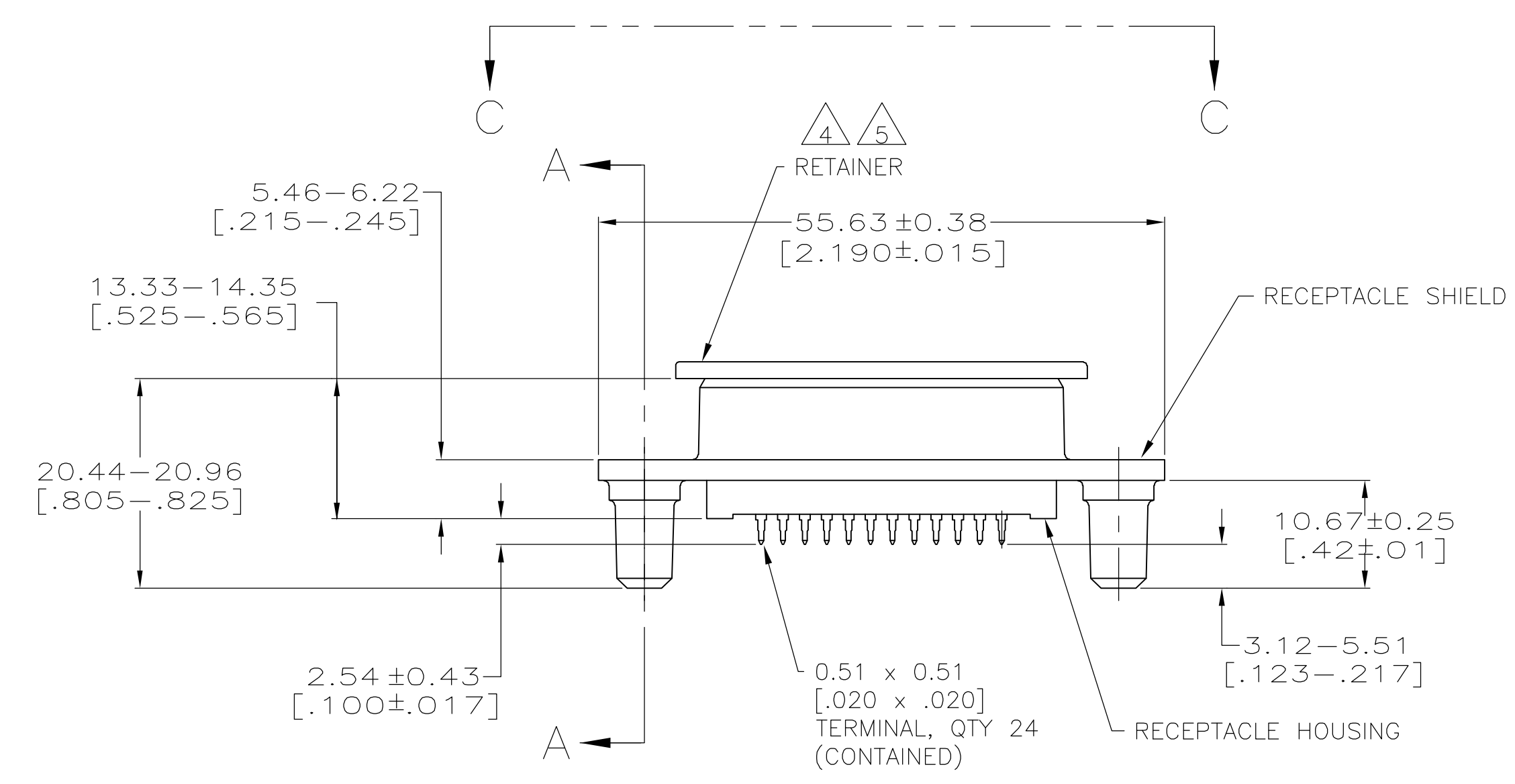


| LOC | DIST | REVISIONS | | | | | |
|-----|------|-----------|-----|------------------------------|---------|-----|------|
| GP | 00 | P | LTR | DESCRIPTION | DATE | DWN | APPR |
| | | 0 | | RELEASED PER EC OS13-0288-05 | 28SEP05 | GP | JG |



- 1 MATERIAL: HOUSING - FLAME RETARDANT POLYESTER, BLACK, 94VO RATED.
TERMINALS - GOLD OVER NICKEL PLATED COPPER ALLOY.
RETAINER - POLYETHYLENE, NATURAL.
SHIELD - NICKEL PLATED ZINC DIE CASTING.
- 2 TUBE PLUG, PART NUMBER 555265-1.
- 3 THE CONTACT SURFACES OF THE TERMINALS ARE COATED WITH LUBRICANT.
- 4 RETAINER SHALL BE REMOVED AND DISCARDED ONLY AFTER CONNECTOR AND TERMINALS ARE RETAINED BY PRINTED CIRCUIT BOARD.
- 5 MAXIMUM EXTRACTION FORCE OF RETAINER 12 LBS.
- 6 GOLD PLATING THICKNESS AT THE POINT OF MEASUREMENT SHALL AVERAGE .698 µm-.828 µm [.0000275-.0000325] FOR TERMINALS.
- 7 10 EMI RECEPTACLE ASSEMBLIES PACKAGED PER TUBE.
- 8 5554857-1 IS ONE ASSEMBLY PACKAGED IN A TUBE.
- 9 LABEL INDICATES PIN ONE (1) END OF ALL ASSEMBLIES IN A TUBE.
- 10 THREADS SHALL BE FUNCTIONAL AFTER PLATING.
- 11 ALL DIMENSIONS SHOWN IN FIGURE D ARE NOMINAL AND ASSEMBLIES WILL SLIDE FREELY WITH TUBE AT 45° INCLINE.

| | | | | | |
|--|------------|---|---|--------------------|--|
| THIS DRAWING IS A CONTROLLED DOCUMENT. | | DWN G.PETERS 28SEP05 | | 5554857-1 | |
| DIMENSIONS: mm (INCHES) | | CHK W.MILLHIMES 28SEP05 | | PART NUMBER | |
| TOLERANCES UNLESS OTHERWISE SPECIFIED: | | APP'D M.WALMSLEY 28SEP05 | Tyco Electronics Corporation Harrisburg, Pa 17105-3608 | | |
| 0 PLC ± - | 1 PLC ± - | RECEPTACLE ASSEMBLY, SHIELDED, 24 POSITION, SOLDER PIN, CHAMP | | | |
| 2 PLC ± - | 3 PLC ± - | RESTRICTED TO | | | |
| 4 PLC ± - | ANGLES ± - | SIZE CAGE CODE DRAWING NO | | | |
| MATERIAL | FINISH | A1 00779 | | C=5554857 | |
| CUSTOMER DRAWING | | SCALE 2:1 | | SHEET 1 OF 1 REV 0 | |