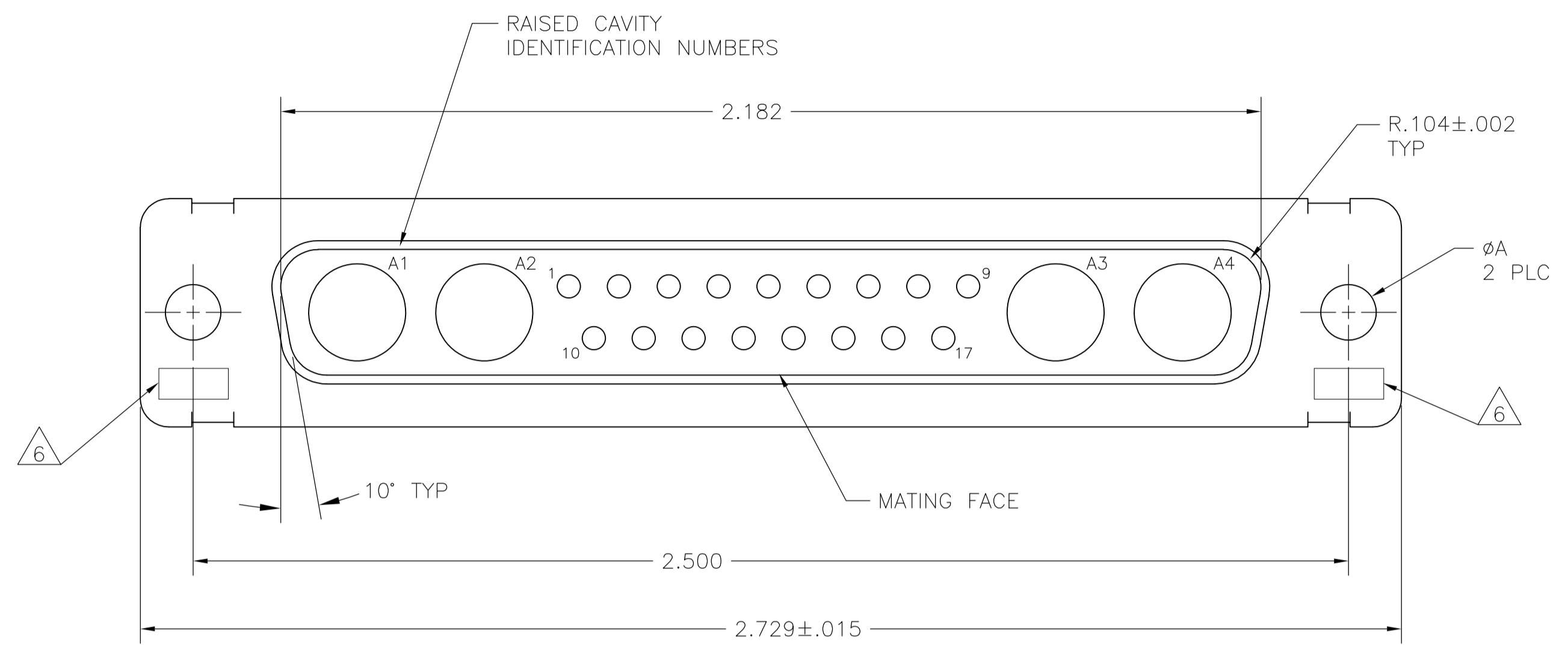
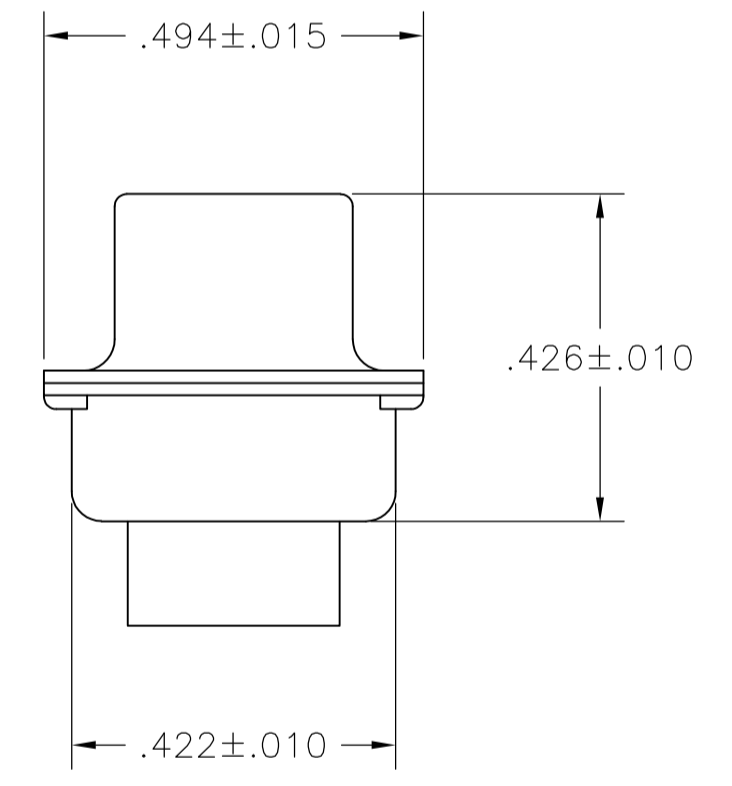
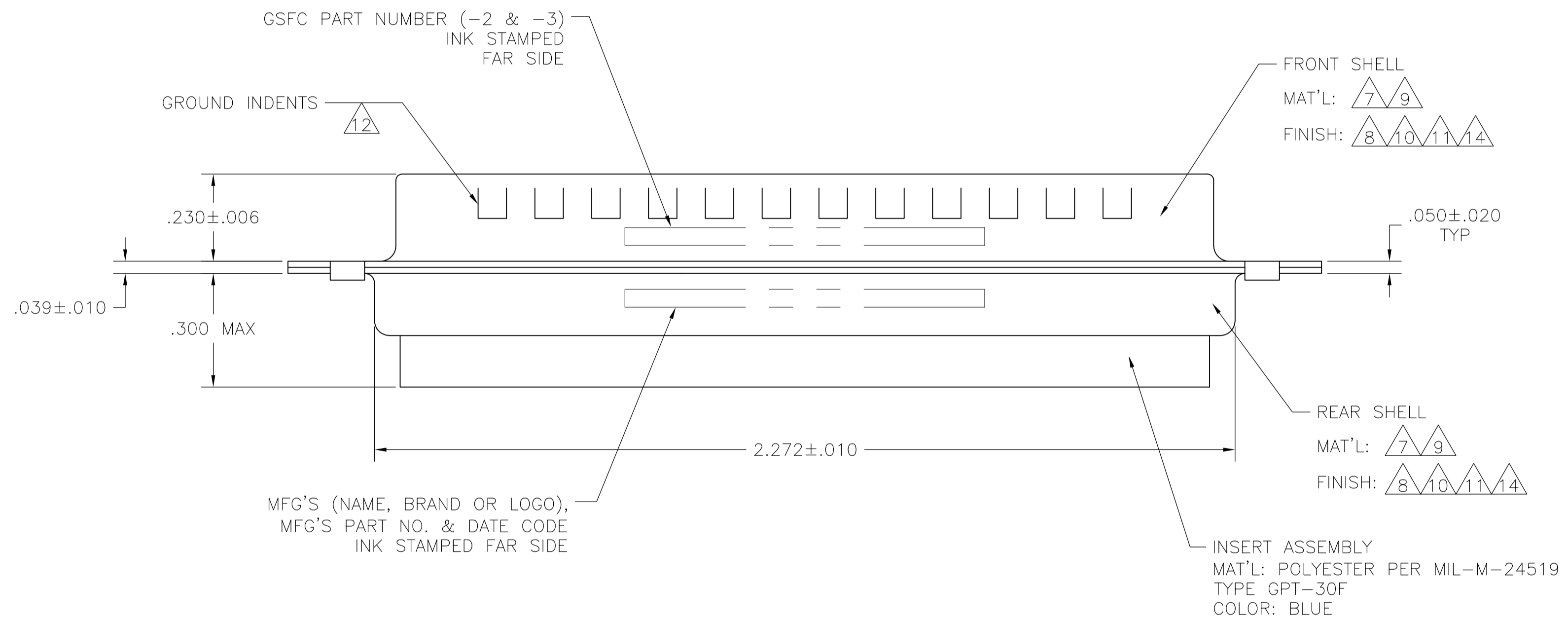


- THIS PLUG WILL MATE WITH ANY 21C4, SIZE 4 RECEPTACLE IN AMPLIMITE SERIES.
- MAXIMUM WIRE INSULATION TO BE USED WITH THIS PLUG IS ϕ .072.
- RETENTION CLIPS (17) ARE INCLUDED IN INSERT ASSEMBLY.
- THIS CONNECTOR ACCEPTS SIZE 20 PIN CONTACTS, NOT PROVIDED, IN CAVITIES 1 THRU 17.
- CAVITIES A1 THRU A4 ACCEPTS SIZE 8 POWER OR COAX PIN CONTACTS, NOT PROVIDED. RIGHT ANGLE COAX CONTACTS WILL NOT SEAT IN THIS CONNECTOR.



- 6 UL/CSA DESIGNATION STAMPED IN THIS AREA, OPTIONAL.
- 7 MATERIAL: STEEL PER ASTM-A-109.
- 8 FINISH: CADMIUM PLATED PER QQ-P-416, TYPE II, CLASS 2.
- 9 MATERIAL: BRASS PER ASTM-B-36.
- 10 FINISH: GOLD PER MIL-G-45204, TYPE II, GRADE C, CLASS 1 OVER COPPER PER MIL-C-14550, CLASS IV.
- 11 FINISH: TIN PER ASTM-B-545 .000400 MIN THK OVER COPPER PER AMS2418 .000050 MIN THK.
- 12 GROUNDING INDENTS FOR 212530-4, 212530-5, & 5-212530-4 ONLY.
- 13 212530-6 IS OBSOLETE.
- 14 FINISH: ZINC PLATE PER ASTM-B-633 .000200-.000400 THK WITH SUPPLEMENTARY CHROMATE (Cr3+).



| | | | |
|---------|------|------------------|------------|
| 7 12 11 | .120 | - | 5-212530-4 |
| 7 14 | .120 | - | 5-212530-1 |
| 7 11 | .120 | - | 212530-6 |
| 7 12 11 | .120 | - | 212530-5 |
| 7 11 12 | .120 | - | 212530-4 |
| 9 10 | .154 | 311P405-18P-B-15 | 212530-3 |
| 9 10 | .120 | 311P405-18P-B-12 | 212530-2 |
| 7 8 | .120 | - | 212530-1 |
| REMARKS | ØA | GSFC P/N | PART NO. |

THIS DRAWING IS A CONTROLLED DOCUMENT.

| | | | | |
|--------------------|--|---------------------------|-------------------------|--|
| DIMENSIONS: INCHES | TOLERANCES UNLESS OTHERWISE SPECIFIED: | DIN C.C. THOMAS 21-JAN-89 | APVD A. EMADI 27-JAN-88 | NAME PLUG ASSEMBLY AMPLIMITE 21C4 SIZE 4, SERIES 109, COAX MIX |
| 0 PLC ± - | 1 PLC ± - | 2 PLC ± - | 3 PLC ± .005(0.13) | 4 PLC ± ± 0'30' |
| MATERIAL | FINISH | WEIGHT | SCALE 4:1 | SHEET 1 OF 1 |

CUSTOMER DRAWING