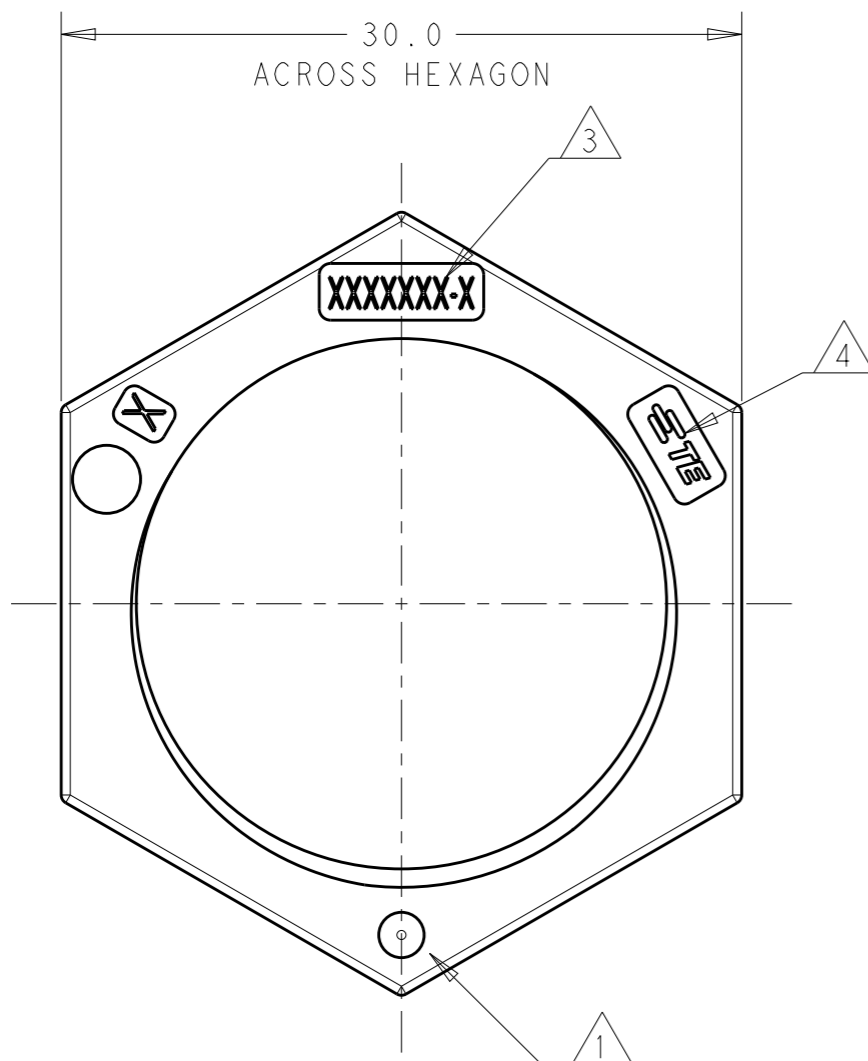
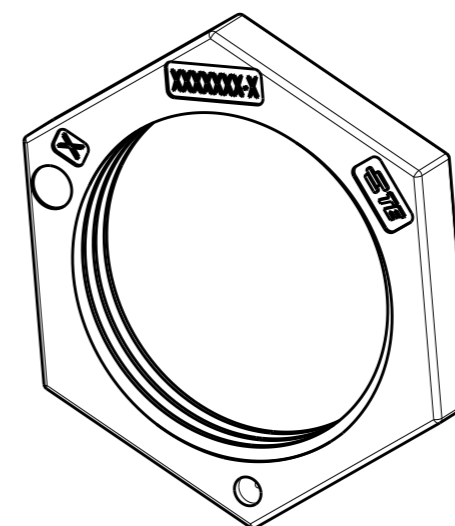


REVISIONS

P	LTR	DESCRIPTION	DATE	DWN	APVD
	A	REVISED AS PER ECR-15-005925	21APR2015	RS	JL



- 1 MATERIAL: GLASS FILLED PBT, COLOR BLACK
(CIRCULAR RECESS IDENTIFIES THE COMPONENT MATERIAL AS PBT)
- 2. MUST COMPLY WITH DIRECTIVE 2002/95/EC (ROHS)
- 3 TE PART NUMBER
- 4 TE LOGO
- 5. THIS PRODUCT HAS NOT COMPLETED VALIDATION TESTING



2213430-1
PART NO.

THIS DRAWING IS A CONTROLLED DOCUMENT.		DWN C. DAILY 26SEP2013	TE Connectivity		
DIMENSIONS: mm		CHK M. LUKSIC 26SEP2013			
TOLERANCES UNLESS OTHERWISE SPECIFIED:		APVD -	NAME SCREW NUT, PANEL MOUNT NECTOR M-LINE, 5/6/7 POLES, PBT		
0 PLC ±-		PRODUCT SPEC 108-133014	SIZE A3	CAGE CODE -	DRAWING NO C-2213430
1 PLC ±0.3		APPLICATION SPEC 114-32111	RESTRICTED TO -		
2 PLC ±0.20		WEIGHT -	SCALE 3:1		
3 PLC ±-		MATERIAL NOTE 1	SHEET 1 OF 1		
4 PLC ±-			REV A		
ANGLES ±3°		Customer Drawing			
FINISH -					