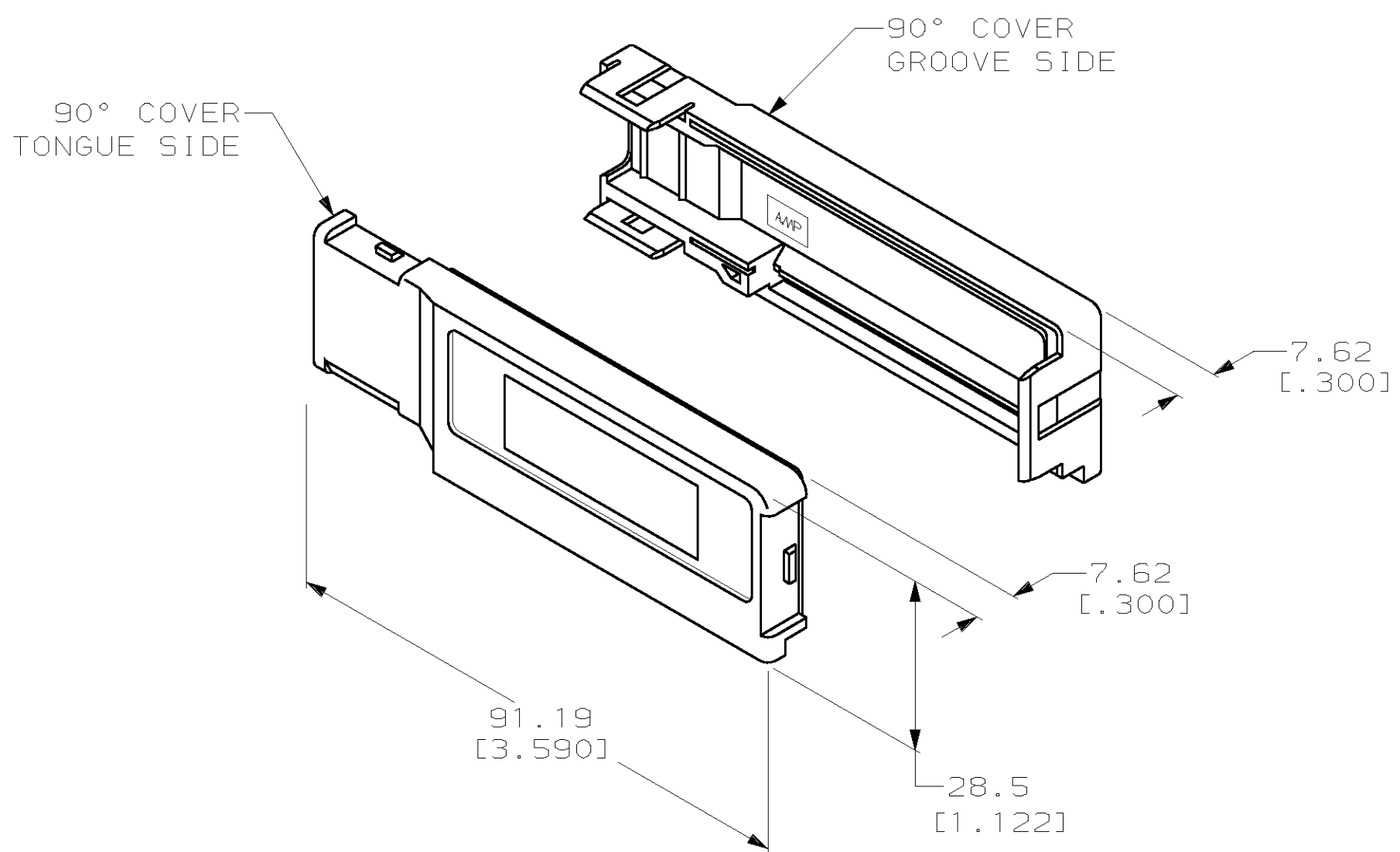


THIS DRAWING IS UNPUBLISHED. RELEASED FOR PUBLICATION ,19 .
 © COPYRIGHT 19 BY AMP INCORPORATED. ALL RIGHTS RESERVED.

| LOC | DIST | REVISIONS | | | |
|-----|------|-------------|-------------------------------|---------|---------|
| P | LTR | DESCRIPTION | DATE | DWN | APVD |
| AA | 20 | E | OBSOLETE: -2; EC 0515-0014-03 | 22APR96 | DLD/RPM |

1. DIMENSIONS SHOWN ARE FOR REFERENCE ONLY UNLESS OTHERWISE SPECIFIED.
2. COVERS SHIPPED NOT ASSEMBLED.
3. 100 KITS BULK PACKED.



| | | | |
|----------|----------|----------------------|----------|
| OBSOLETE | — ALMOND | 12.07 - 13.72 | 552731-2 |
| | BLACK | [.475 - .540] | 552731-1 |
| | COLOR | CABLE RANGE DIAMETER | PART NO. |

| | | | |
|--|--|------------------------------|---|
| <small>THIS DRAWING IS A CONTROLLED DOCUMENT FOR AMP INCORPORATED. IT IS SUBJECT TO CHANGE AND THE CONTROLLING ENGINEERING ORGANIZATION SHOULD BE CONTACTED FOR THE LATEST REVISION.</small> | | DWN DL DRUMMOND 22 APR 96 | AMP Incorporated Harrisburg, PA 17105-3608 |
| DIMENSIONS: mm [INCHES] | | CHK D. AHERON 08 MAY 96 | |
| | | APVD M. HUGHES 08 MAY 96 | NAME COVER KIT, 90 DEGREE 50 POSITION, CHAMP® |
| TOLERANCES UNLESS OTHERWISE SPECIFIED: 0 PLC ±- 1 PLC ±- 2 PLC ±- 3 PLC ±- 4 PLC ±- ANGLES ±- | | PRODUCT SPEC - | SIZE A3 |
| MATERIAL POLYPHENYLENE OXIDE | | FINISH - | CAGE CODE 00779 |
| | | WEIGHT - | DRAWING NO C-552731 |
| | | CUSTOMER DRAWING | SCALE 1:1 SHEET 1 OF 1 REV E |