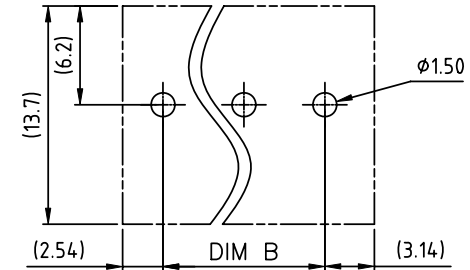
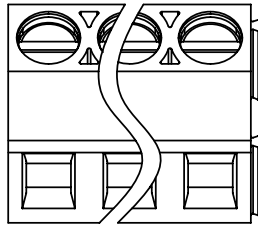
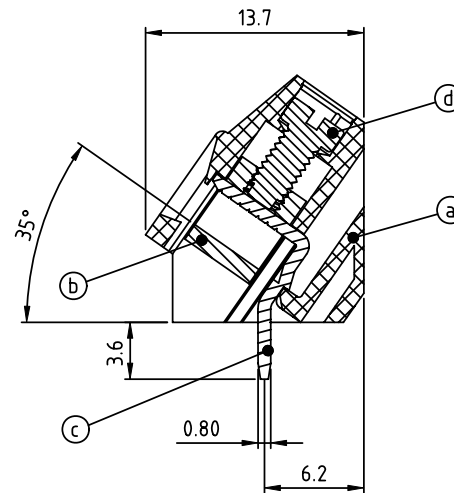
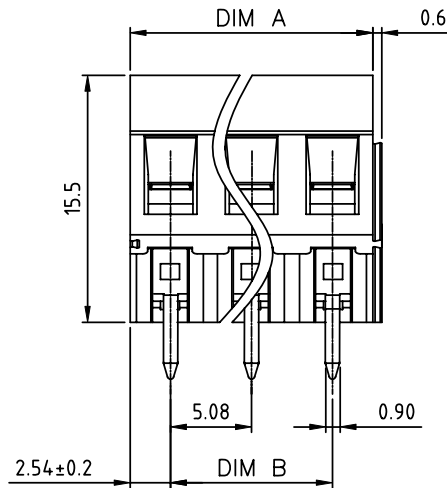


PRODUCT NUMBER	PITCH
T2xx21x000J0G	5.08 mm



RECOMMENDED P.C.B LAYOUT
TOP VIEW



Material:

- Item (a) Terminal housing :Thermoplastic (UL 94V-0)
- Item (b) Clamp : Brass , Ni plated
- Item (c) Solder pin : Brass , Tin plated
- Item (d) Terminal screw: Steel Zinc plating"- "slot type

Electrical UL

- Voltage rating: 300VAC
- Current rating: 10A
- Wire range:
- Solid wire(AWG): 12-24
- Stranded wire(AWG): 12-24
- Torque(Lb-In): 3.5
- Screw: M2.5
- Wire strip length: 6-7mm
- Withstanding Voltage: 1.6KV
- Operating temperature: -40°C to +115°C
- Soldering temperature: 260°C±5°C/5 Sec
- Safety Approval:

Dimension A&B

DIM A	Nx5.08
DIM B	(N-1)x5.08

N=Number of poles

Poles	DimA&B Tolerance
2P-8P	±0.15
9P-14P	±0.25
15P-20P	±0.35
21P-24P	±0.40

PART NO.: T2 xx 2 1 x 0 00J0 G

- End stackable
- No. of poles
- 02 2 poles
- 03 3 poles
-
- 24 24 poles
- Body Color
- 0 Black (RAL9005)
- 2 Red (RAL3001/D)
- 3 Orange(RAL2011/P)
- 4 Yellow(RAL1018/A)
- 5 Green(RAL6018/T)
- 6 Blue (RAL5015/A)
- 8 Grey(RAL7035/D)
- 9 White(RAL1102)
- C Green(RAL6018/U)
- RoHS compliant (lead<4%)
In copper Alloy

mat'l. code		surface ASME Y14.5	tolerance ASME Y14.5	projection	product family TERMINAL BLOCK	
ltr	ecn no	dr	date		title	
				tolerances unless otherwise specified	TERMINAL BLOCK	
				angles	RISGING CLAMP,SOLID BLOCK,35D WIRE INLET	
				MM	scale	
				X±0.5	dwg no	
				X.X±0.3	sheet 1 of 1	
				X*±1*	X.XX±0.1	size
				dr	EVIN ZHONG	040714
				enr	EVIN ZHONG	040714
				chr	HANKE FENG	040714
				appd	SHI JUN	040714
sheet index	revision	A			T2xx21x000J0G	A4
	sheet	1			type	CUSTOMER Drawing