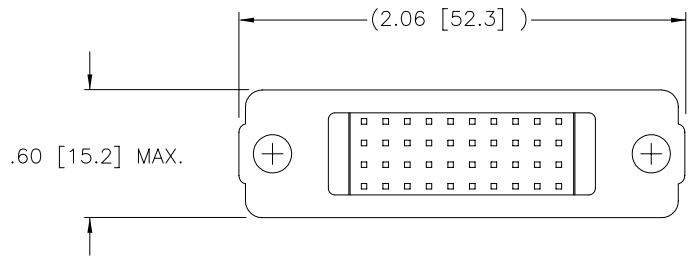
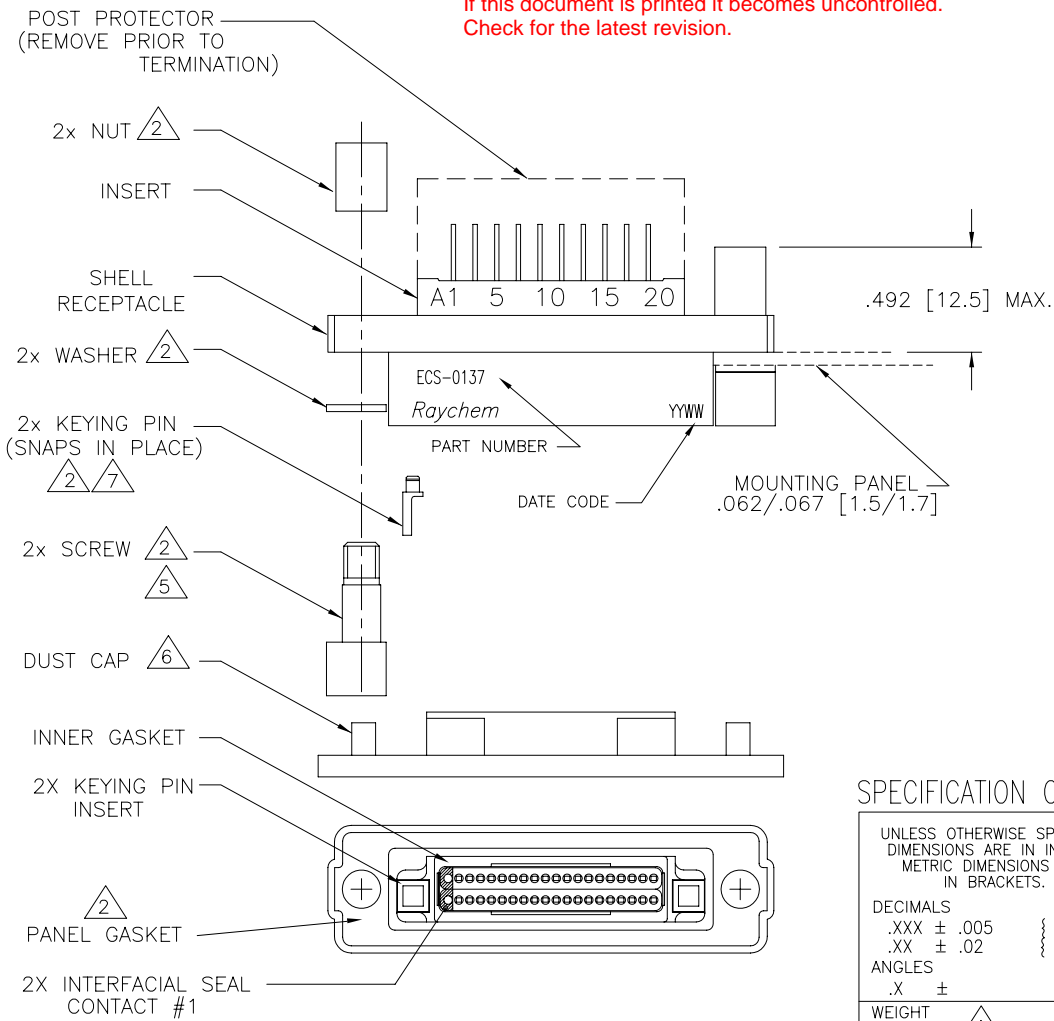


TYCO ELECTRONICS RESERVES THE RIGHT TO AMEND THIS DRAWING AT ANY TIME.
 USERS SHOULD EVALUATE THE SUITABILITY OF THE PRODUCT FOR THEIR APPLICATION.

REVISIONS			
LTR	DESCRIPTION	DATE	APPROVED
A	FRENCH DRAWING	21/07/92	S.BRIENS
B	REDRAWN AND UPDATED FILE PER DCR# C050394	MAY/23/05	M.HIGGY
C	UPDATED FILE PER DCR# C050451	June/2/05	M.HIGGY
D	UPDATED FILE PER DCR# C050615	SEPT/20/05	M.HIGGY

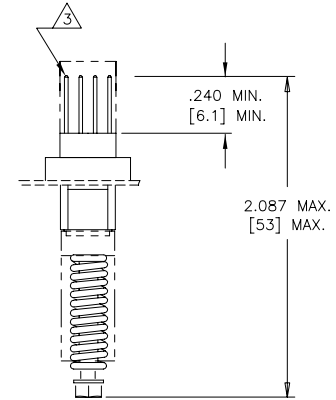


If this document is printed it becomes uncontrolled.
 Check for the latest revision.



NOTES: 1. THIS BOXMOUNT RECEPTACLE MATES WITH A MTC PLUG CONTAINING SOCKET INSERTS. REFER TO APPLICABLE RAYCHEM SPECIFICATION CONTROL DRAWINGS FOR DETAILS.

- 2 THESE ITEMS ARE SUPPLIED UNASSEMBLED.
- 3 .025 SQ. WIRE WRAPPABLE TERMINATION POST.
- 4 WEIGHTS: ARE WITHOUT DUST CAP AND WITHOUT TERMINATION POST PROTECTOR.
- 5 TORQUE MOUNTING HARDWARE TO: 14-16 IN.-LBS.
- 6 DUST CAP SUPPLIED WITH EACH RECEPTACLE HOUSING.
- 7 FOR KEYING PIN INFORMATION SEE TYCO/RAYCHEM DRAWING D-659-0080



SIDE VIEW FOR COMPLETE ASSEMBLY.
 (RECEPTACLE AND PLUG)

SPECIFICATION CONTROL DRAWING

UNLESS OTHERWISE SPECIFIED DIMENSIONS ARE IN INCHES. METRIC DIMENSIONS ARE IN BRACKETS. DECIMALS .XXX ± .005 .13 mm .XX ± .02 .51 mm ANGLES .X ± WEIGHT	DRAWN	ZS.ORBAN	May/12/05	tyco Electronics	TYCO ELECTRONICS 300 Constitution Drive Menlo Park, CA. 94025 USA	Raychem	
	CHECKED						
	APPROVED	M.HIGGY	May/12/05	TITLE	CONNECTOR, RECEPTACLE, BOX MOUNT, PIN, .025 SQ. TERMINATOR POST, SHORT TAIL, 1 INCH, FLANGED, EUROPEAN VERSION MTC50 SERIES		
	APPROVED			CAD NAME	C050615a.DWG		
THIRD ANGLE PROJECTION			SIZE	A	CAGE CODE: 06090	DWG. NO. ECS-0137	REV D

© 2005 Tyco Electronics Corporation.
 All rights reserved

SHEET 1
 ECS-0137
 DWG NO.

SPECIFICATIONS:

MATERIALS:

- A. SHELL ALUMINUM ALLOY PER ASTM B85.
- B. SCREW STAINLESS STEEL PER SAE-AMS-QQ-S-763, 300 SERIES.
- C. NUT STAINLESS STEEL PER SAE-AMS-QQ-S-763, 300 SERIES.
- D. INNER GASKET SILICONE ELASTOMER PER MIL-R-25988
- E. STANDARD PANEL GASKET SILICONE ELASTOMER PER MIL-R-25988
- F. INTERFACIAL SEAL FLOROSILICONE ELASTOMER PER MIL-R-25988
- G. INSERT HIGH GRADE THERMOPLASTIC DIELECTRIC.
- H. PANEL WASHER STAINLESS STEEL PER SAE-AMS-QQ-S-763, 300 SERIES.
- I. PIN CONTACT COPPER ALLOY 172 PER ASTM B194.
- J. KEYING PIN INSERT HIGH GRADE THERMOPLASTIC DIELECTRIC.
- K. KEYING PIN HIGH GRADE THERMOPLASTIC DIELECTRIC.

FINISH:

- A. SHELL CADMIUM PLATED PER SAE-AMS-QQ-P-416 OVER NICKEL UNDERPLATE
- B. SCREW CADMIUM PLATED PER SAE-AMS-QQ-P-416
- C. NUT CADMIUM PLATED PER SAE-AMS-QQ-P-416
- D. PANEL WASHER CADMIUM PLATED PER SAE-AMS-QQ-P-416
- E. PIN CONTACT GOLD PLATED PER AMS 2422 TYPE 1, GRADE C, CLASS 1

DESIGN AND CONSTRUCTION:

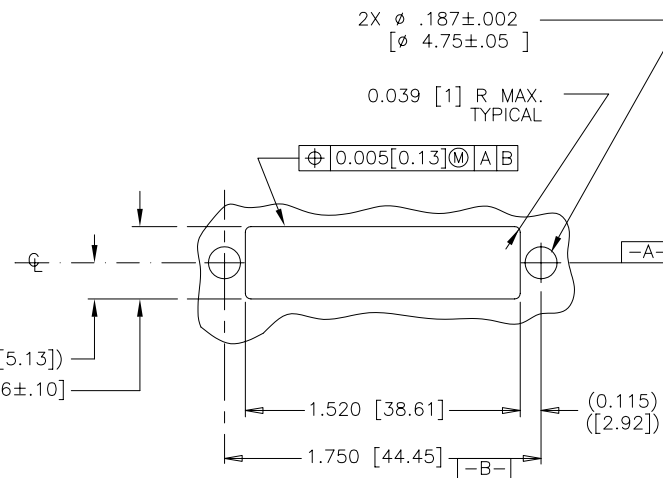
THE CONNECTORS SPECIFIED HEREIN ARE PANEL MOUNTED RECEPTACLES WITH FIXED (NON-REMOVABLE) PIN INSERTS AND CONTACTS. THE CONNECTOR IS WITHOUT PROVISIONS FOR CABLE CLAMPS OR TERMINATION SEALS.

PERFORMANCE:

THE APPLICABLE RAYCHEM SPECIFICATION FOR THIS PART IS C6111.
THIS PART IS NOT QUALIFIED TO C6111.

- HUMIDITY
- ALTITUDE IMMERSION
- ALTITUDE - LOW TEMPERATURE
- FLUID IMMERSION

THE CONNECTOR TERMINATION END MUST BE SUITABLY PROTECTED FOR TESTING OR APPLICATION IN ANY OF THESE ENVIRONMENTS.



RECOMMENDED PANEL CUT-OUT

© 2005 Tyco Electronics Corporation.
All rights reserved

SPECIFICATION CONTROL DRAWING

SIZE A	CAGE CODE: 06090	DWG. NO. ECS-0137	REV D
DO NOT SCALE THIS DRAWING		DWG. NAME C050615b.DWG	SHEET 2 OF 2

If this document is printed it becomes uncontrolled.
Check for the latest revision.

SHEET 2
ECS-0137
DWG. NO.