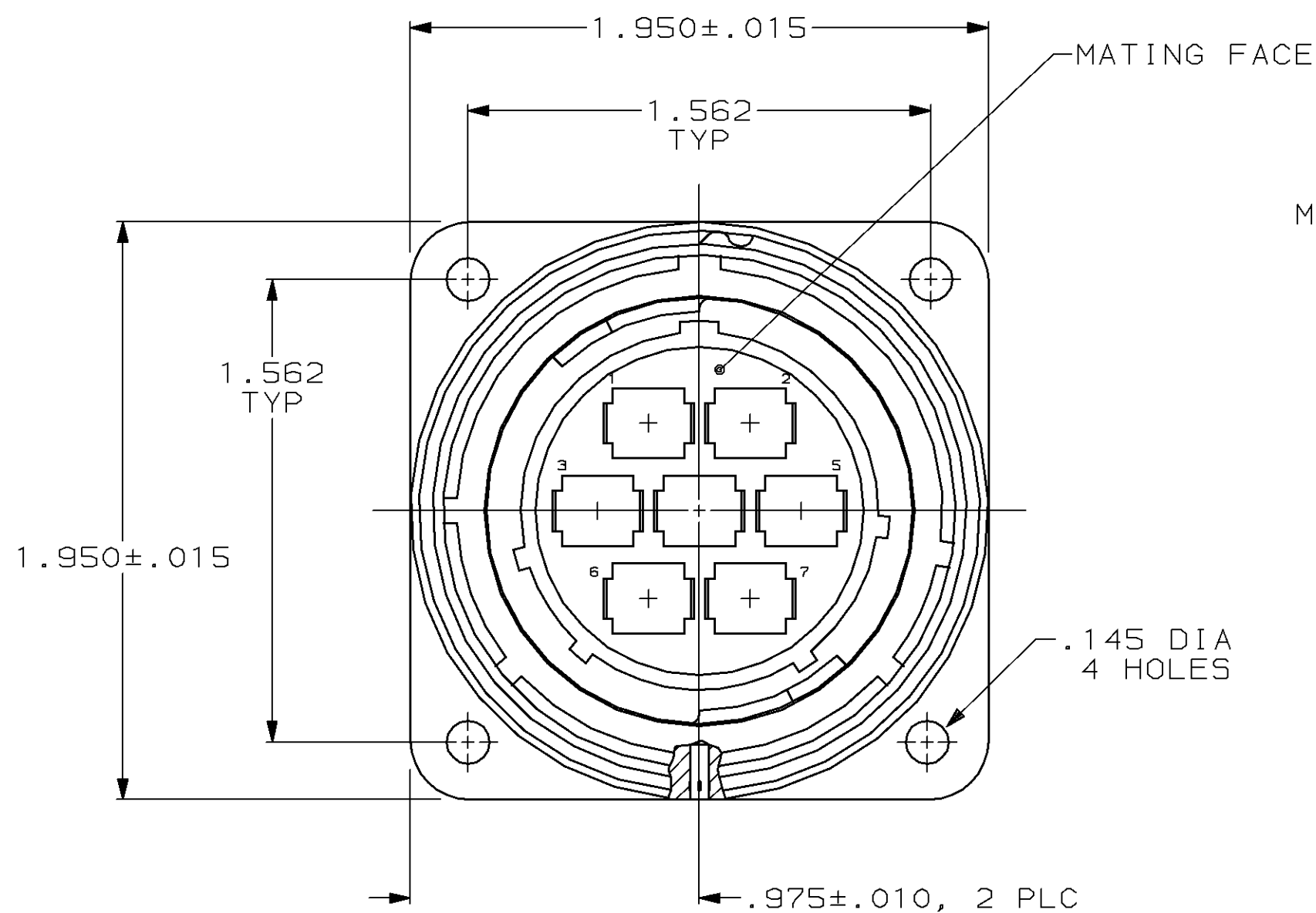


| LOC | DIST | P | F | ZONE | LTR | DESCRIPTION                | DATE      | APPD |
|-----|------|---|---|------|-----|----------------------------|-----------|------|
| BD  | 35   |   |   |      | K   | REDRAWN                    | 6-27-91   | -    |
|     |      |   |   |      | L   | OBS -2 PER EC 0020-0136-95 | 17 JUL 95 | AF   |



RECEPTACLE, STD SEX  
 ARRANGEMENT 23-7  
 MATERIAL: THERMOPLASTIC  
 COLOR: BLACK

METAL SHELL RECEPTACLE  
 MATERIAL: ZINC ALLOY  
 FINISH: NICKEL PLATED PER QQ-N-290

GROOVE PIN, 2 PLC  
 MATERIAL: STEEL ALLOY  
 FINISH: NICKEL PLATED  
 PER QQ-N-290

PERIPHERAL SEAL  
 SEE TABLE

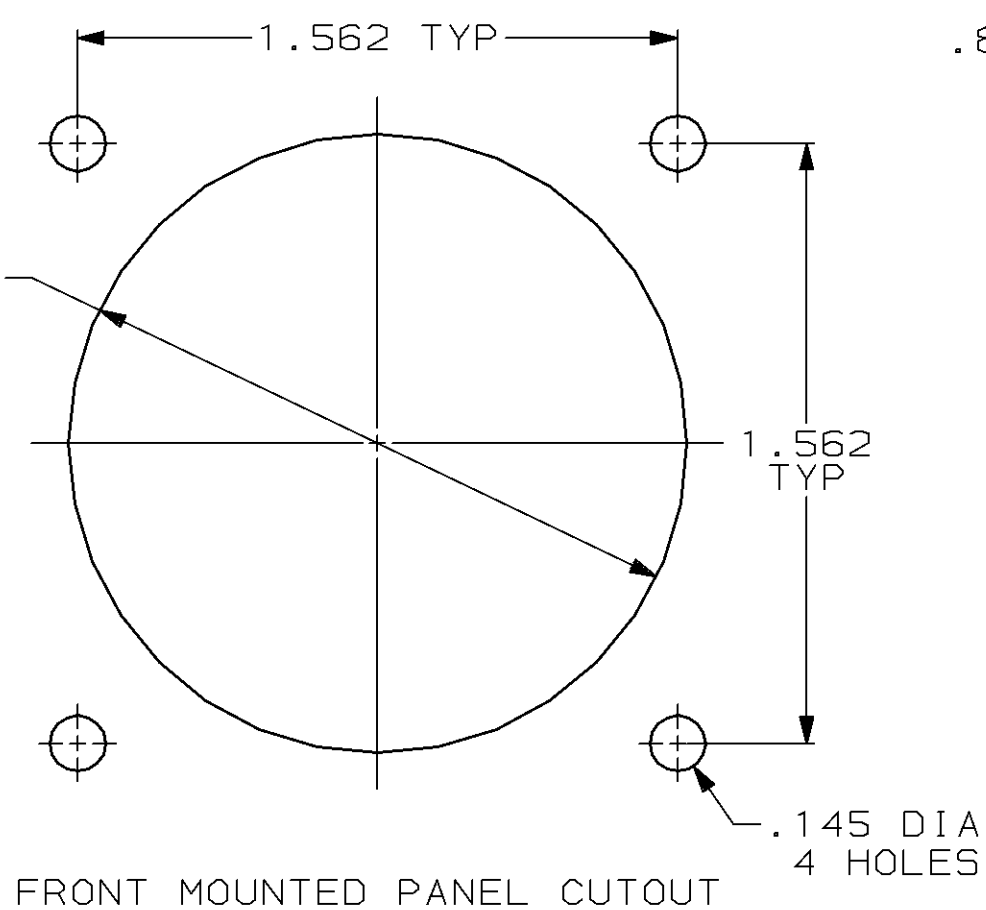
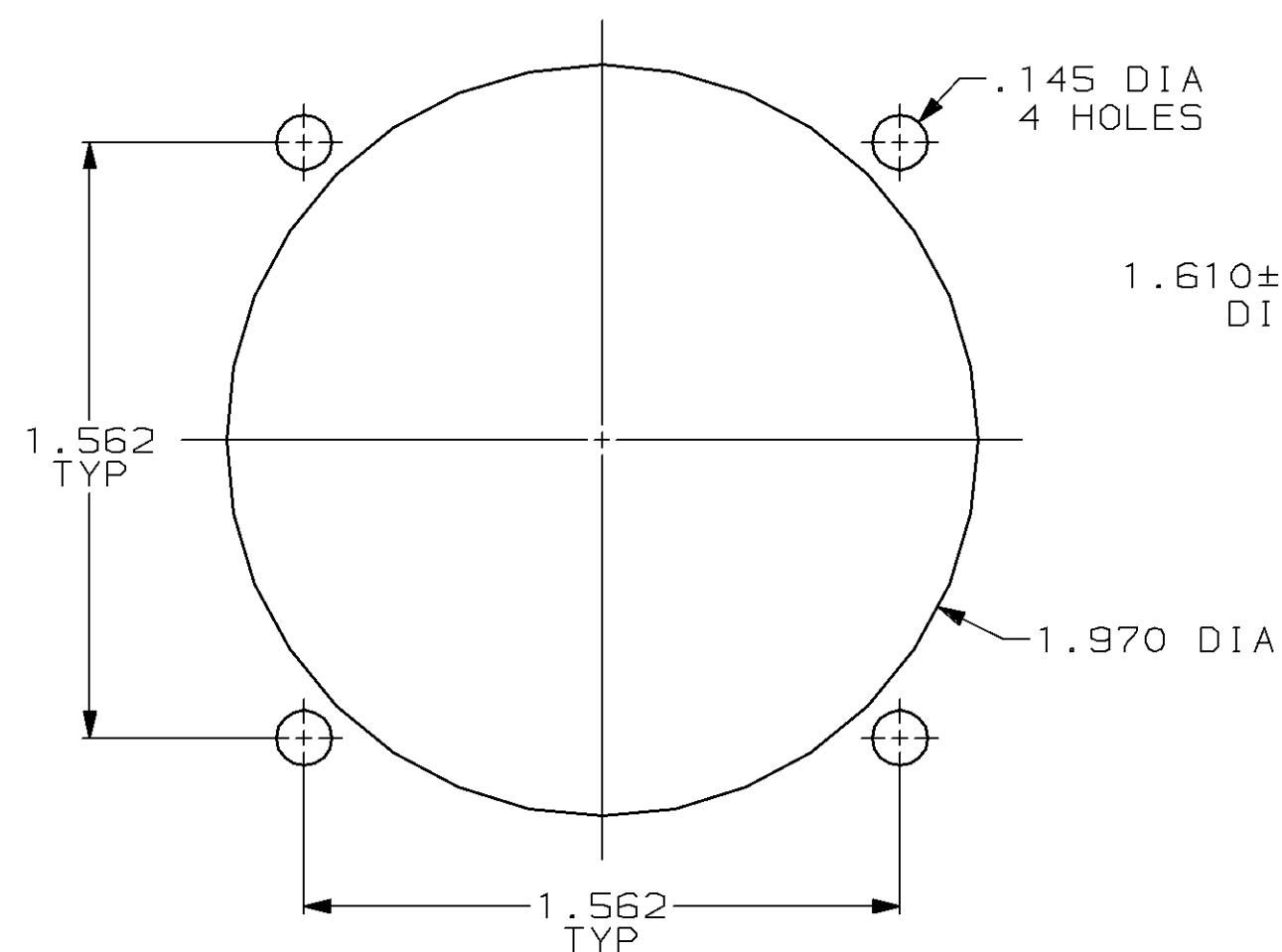
1.900 MAX

.125 MAX  
 PANEL THK

.875±.010

.125±.010

1.825 MAX



REAR MOUNTED PANEL CUTOUT

FRONT MOUNTED PANEL CUTOUT

|          |                 |             |
|----------|-----------------|-------------|
| OBSOLETE | YES             | 208483-2    |
|          | NO              | 208483-1    |
|          | PERIPHERAL SEAL | PART NUMBER |

- 208483-1 MATES WITH AMP PLUG 208482-1 OR -3.  
 208483-2 MATES WITH 208482-1 ONLY.
- AMP PART NUMBER AND DATE CODE TO BE LOCATED ON EDGE OF FLANGE.

|  |                           |  |
|--|---------------------------|--|
| DO NOT SCALE PRINT.<br>UNLESS SPECIFIED<br>DIMENSIONS IN INCHES<br>TOLERANCES ON : | DR 6-27-91<br>R.LEE BG    | AMP Incorporated<br>Harrisburg, PA 17105-3608        |
| 2 PLC DEC ± -<br>3 PLC DEC ± .005<br>ANGLES ± -                                    | CHK 4-15-92<br>W.G.LENKER |  |
| MATERIAL   | APPD 4-15-92<br>K.BEAVER  | NAME   |
| SEE CALLOUT  | APPD 4-15-92<br>C.ROHDE   | RECEPTACLE ASSEMBLY, STD SEX,<br>SERIES 3, 28-7, CMC |
| FINISH   | PRODUCT SPEC<br>108-10040 | SIZE   |
| SEE CALLOUT  | APPLICATION SPEC<br>-     | CAGE CODE<br>00779                                   |
|  | WEIGHT -                  | DRAWING NO<br>208483                                 |
|  |                           | SCALE<br>2:1   |
|  |                           | SHEET<br>1 OF 1                                      |