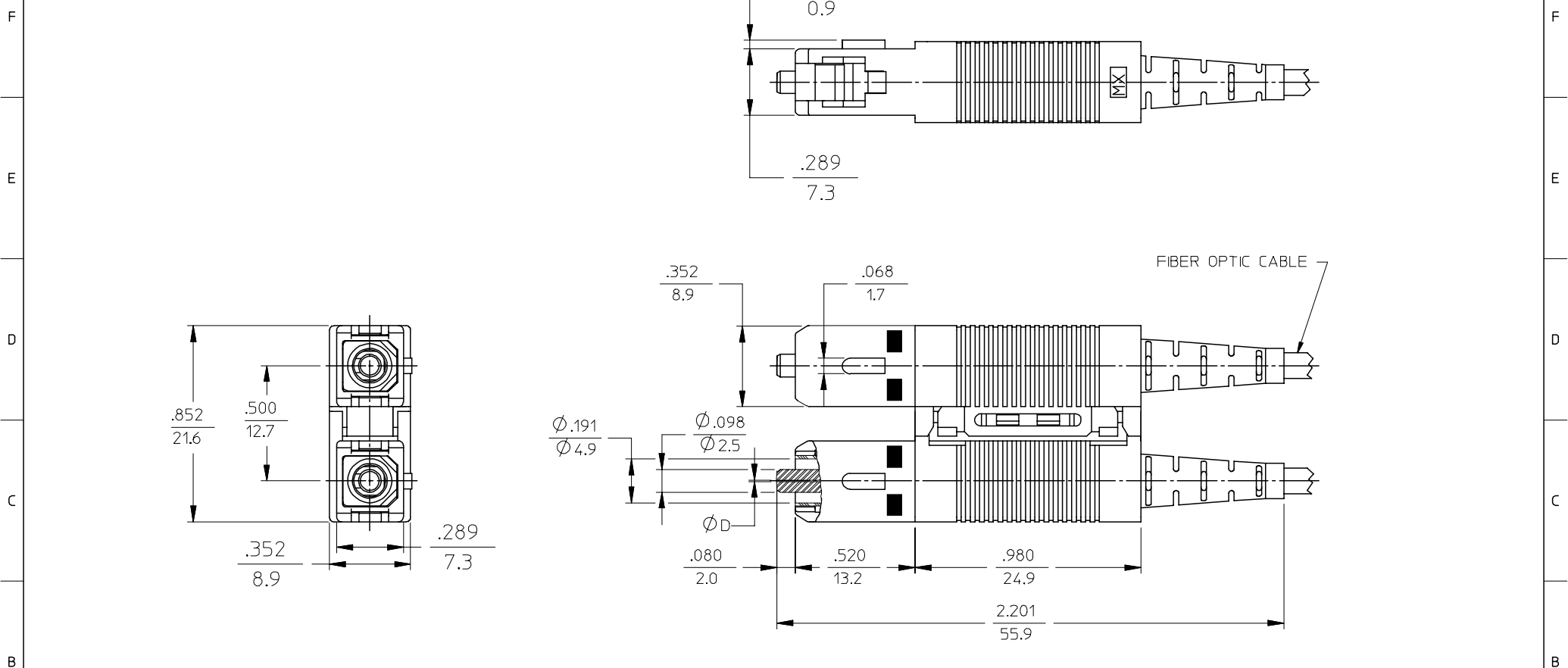


10 9 8 7 6 5 4 3 2 1



ENTER DESCRIPTION EC NO: MF2006-0318 DRWNL: SADAUSKIENE 2005/11/17 CHKD: 2005/11/18 APPR: IGUMIN 2005/11/18 REV A	QUALITY SYMBOLS $\nabla=0$ $\nabla=0$	GENERAL TOLERANCES (UNLESS SPECIFIED)		DIMENSION STYLE IN/MM		SCALE 4:1	DESIGN UNITS INCH	THIRD ANGLE PROJECTION
		4 PLACES ± --- ± ---	DRAWN BY RPACIFICI	DATE 2005/10/04	TITLE SC FIBER CHANNEL DUPLEX CONNECTOR			
		3 PLACES ± --- ± ---	CHECKED BY	DATE				
		2 PLACES ± --- ± ---	APPROVED BY I.GUMIN	DATE 2005/11/15	MOLEX INCORPORATED			
1 PLACE ± --- ± ---	MATERIAL NO. SEE TABLE		DOCUMENT NO. SD-106034-XXX0	SHEET NO. 1 OF 02				
DRAFT WHERE APPLICABLE MUST REMAIN WITHIN DIMENSIONS		ANGULAR ±1/2°			THIS DRAWING CONTAINS INFORMATION THAT IS PROPRIETARY TO MOLEX INCORPORATED AND SHOULD NOT BE USED WITHOUT WRITTEN PERMISSION			

1b\_frame\_B\_P\_ME\_T Rev. D 2004/04/02 9 8 7 6 5 4 3 2 1

	13	12	11	10	9	8	7	6	5	4	3	2	1			
	CONNECTOR P/N	ØD Hm	HOUSING COLOR	BOOT COLOR	CONNECTOR TYPE	FIBER OPTIC CABLE SIZE (mm)										
J	106034-0000	127 $\begin{smallmatrix} +3.0 \\ -0.0 \end{smallmatrix}$	BEIGE	BEIGE	MULTIMODE	3.0								J		
	106034-0900					2.0&1.6 DUPLEX										
	106034-0100					1.6 SMPLEX										
	106034-0070					3.0										
I	106034-0970		127 $\begin{smallmatrix} +3.0 \\ -0.0 \end{smallmatrix}$	BLACK		BLACK	MULTIMODE	2.0&1.6 DUPLEX								I
	106034-0170							1.6 SMPLEX								
	106034-0080							3.0								
	106034-0980							2.0&1.6 DUPLEX								
H	106034-0180	125.5 $\begin{smallmatrix} +1.0 \\ -0.0 \end{smallmatrix}$		RED	RED	SINGLE MODE		1.6 SMPLEX								H
	106034-2000							3.0								
	106034-2900							2.0&1.6 DUPLEX								
	106034-2100							1.6 SMPLEX								
G	106034-3000		128 $\begin{smallmatrix} +2.0 \\ -0.0 \end{smallmatrix}$	BEIGE	BEIGE		MULTIMODE	3.0								G
	106034-3900				YELLOW			2.0&1.6 DUPLEX								
	106034-3910				WHITE			1.6 SMPLEX								
	106034-3920				BEIGE			3.0								
F	106034-3100	126 $\begin{smallmatrix} +1.0 \\ -0.0 \end{smallmatrix}$		BLACK	BLACK	SINGLE MODE		2.0&1.6 DUPLEX								F
	106034-3070							1.6 SMPLEX								
	106034-3970							3.0								
	106034-3170							2.0&1.6 DUPLEX								
E	106034-3080		125.5 $\begin{smallmatrix} +0.5 \\ -0.0 \end{smallmatrix}$	RED	RED		SINGLE MODE	1.6 SMPLEX								E
	106034-3980							2.0&1.6 DUPLEX								
	106034-3180							3.0								
	106034-5000							2.0&1.6 DUPLEX								
D	106034-5900	125.5 $\begin{smallmatrix} +0.5 \\ -0.0 \end{smallmatrix}$		BLUE	BLUE	SINGLE MODE		1.6 SMPLEX								D
	106034-5100							3.0								
	106034-6000							2.0&1.6 DUPLEX								
	106034-6900							1.6 SMPLEX								
C	106034-6100													C		
B												B				
A												A				

<b>ENTER DESCRIPTION</b> EC NO: MF2006-0318 DRAWN: SADAUSKIENE 2005/11/17 CHKD: 2005/11/18 APPR: GUMIN 2005/11/18 REVISIONS A	<b>QUALITY SYMBOLS</b>  	<b>GENERAL TOLERANCES (UNLESS SPECIFIED)</b>		<b>DIMENSION STYLE</b> IN/MM		SCALE 4:1	DESIGN UNITS INCH	THIRD ANGLE PROJECTION		
		4 PLACES ± --- ± ---	mm INCH	DRAWN BY RPACIFICI	DATE 2005/10/04	TITLE SC FIBER CHANNEL DUPLEX CONNECTOR				
		3 PLACES ± --- ± ---		CHECKED BY DATE						
		2 PLACES ± --- ± ---		APPROVED BY I.GUMIN		DATE 2005/11/15	MOLEX INCORPORATED		MATERIAL NO. SD-106034-XXX0	
1 PLACE ± --- ± ---		ANGULAR ±1/2°		DRAFT WHERE APPLICABLE MUST REMAIN WITHIN DIMENSIONS		SIZE C		THIS DRAWING CONTAINS INFORMATION THAT IS PROPRIETARY TO MOLEX INCORPORATED AND SHOULD NOT BE USED WITHOUT WRITTEN PERMISSION		
				SEE TABLE		DOCUMENT NO. 2 OF 02		SHEET NO. 2 OF 02		