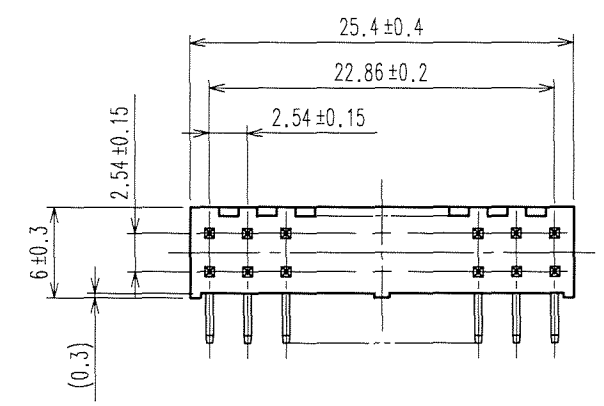
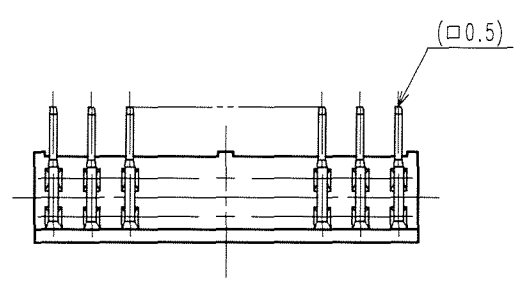
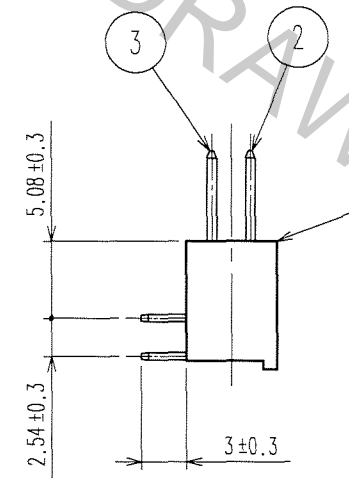
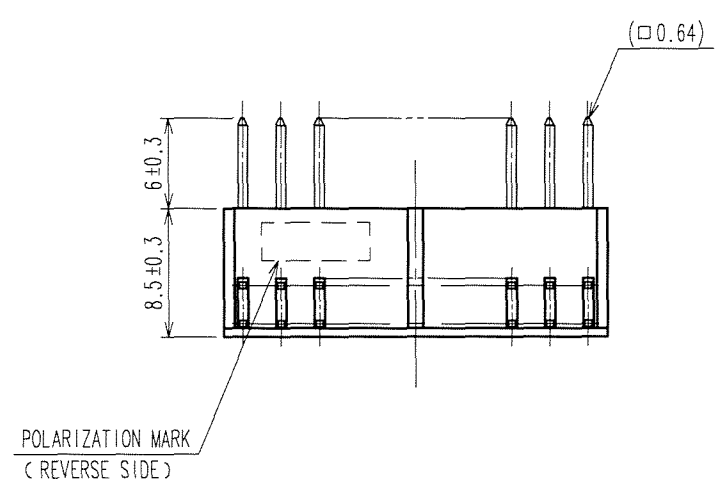
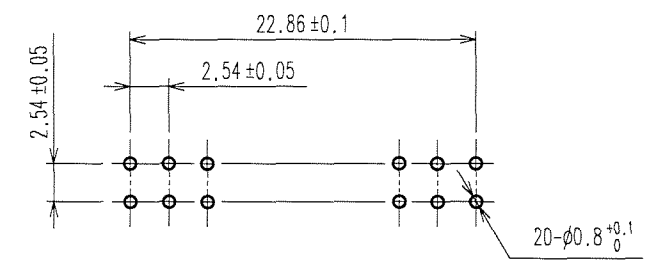


May.1.2017 Copyright 2017 HIROSE ELECTRIC CO., LTD. All Rights Reserved.

COUNT	DESCRIPTION OF REVISIONS	BY	CHKD	DATE	COUNT	DESCRIPTION OF REVISIONS	BY	CHKD	DATE
△				..	△				..
△				..	△				..
△				..	△				..



RECOMMENDED PC BOARD HOLE PATTERN



NOTES 1. THE DIMENSIONS IN PARENTHESES ARE FOR REFERENCE.

1	PBT	BLACK	UL94V-0	2,3	BRASS	CONTACT AREA : GOLD 0.2μm min DIP AREA : TIN-PLATING 2μm min UNDER PLATING : NICKEL 2.5μm min
NO.	MATERIAL	FINISH, REMARKS		NO.	MATERIAL	FINISH, REMARKS

CODE NO. (OLD) CL	DRAWN K.NAKAMURA	DESIGNED K.NAKAMURA	CHECKED C. Ozawa	APPROVED H. Kawin	RELEASED ..
	07.02.01	07.02.01	07.02.01	07.02.01	..

SCALE 2 : 1	DRAWING NO. EDC3-018133-21	PART NO. A1-20PA-2.54DS(71)
UNITS mm	HRS HIROSE ELECTRIC CO., LTD	CODE NO. CL619-0007-3-71

TO
PCK

1/1