



**1mm .039inch contact gap
1 Form A 10A/16A
power relays**

LK-G RELAYS



RoHS compliant

Protective construction: Flux-resistant type

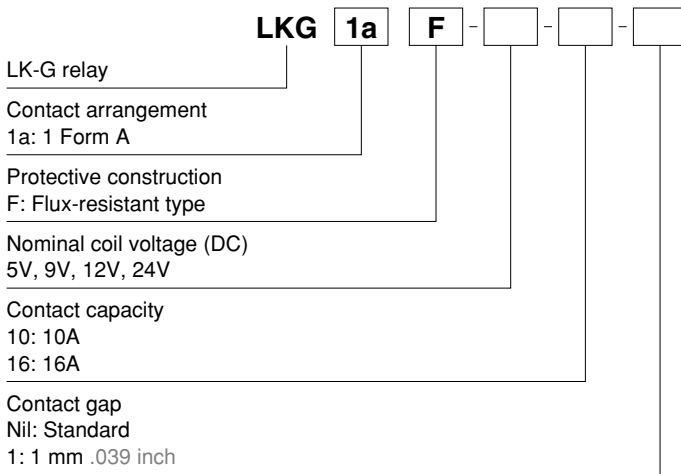
FEATURES

- Contact gap: 1 mm .039 inch**
- Wide lineup of 3 types available**
 - 10A, 1 mm .039 inch contact gap type
 - 16A, 1 mm .039 inch contact gap type
 - 16 A standard type
- High inrush current capability (TV-5 approved)**
- Long insulation distance**
 - Creepage distance and clearances between contact and coil: Min. 6 mm .236 inch (In compliance with IEC60065)
 - Surge withstand voltage between contact and coil: 10,000 V

TYPICAL APPLICATIONS

- Audio visual equipment
- HA equipment
- Home appliances
- Office equipment

ORDERING INFORMATION



Note: Certified by UL/C-UL, TÜV

TYPES

Contact arrangement	Nominal coil voltage	Part No.		
		10A, 1 mm contact gap type	16A, 1 mm contact gap type	16 A standard type
1 Form A	5V DC	LKG1aF-5V-10-1	LKG1aF-5V-16-1	LKG1aF-5V-16
	9V DC	LKG1aF-9V-10-1	LKG1aF-9V-16-1	LKG1aF-9V-16
	12V DC	LKG1aF-12V-10-1	LKG1aF-12V-16-1	LKG1aF-12V-16
	24V DC	LKG1aF-24V-10-1	LKG1aF-24V-16-1	LKG1aF-24V-16

Standard packing: Carton: 100 pcs.; Case: 500 pcs.

RATING

1. Coil data

Nominal coil voltage	Pick-up voltage (at 20°C 68°F)	Drop-out voltage (at 20°C 68°F)	Nominal operating current [±10%] (at 20°C 68°F)	Coil resistance [±10%] (at 20°C 68°F)	Nominal operating power	Max. applied voltage (at 20°C 68°F)
5V DC	75%V or less of nominal voltage (Initial)	10%V or more of nominal voltage (Initial)	106.4mA	47Ω	530mW	6.5V DC
9V DC			58.8mA	153Ω		11.7V DC
12V DC			44.2mA	272Ω		15.6V DC
24V DC			22.1mA	1,087Ω		31.2V DC

2. Specifications

Characteristics	Item	Specifications		
		10A, 1 mm .039 inch contact gap type	16A, 1 mm .039 inch contact gap type	16 A standard type
Contact	Arrangement	1 Form A		
	Contact resistance (Initial)	Max. 100 mΩ (By voltage drop 6 V DC 1A)		
	Contact material	AgSnO ₂ type		
Rating	Nominal switching capacity (resistive load)	10A 277V AC	16A 277V AC	
	Max. switching power (resistive load)	2,770VA	4,432VA	
	Max. switching voltage	277V AC	277V AC	
	Max. switching current	10A (AC)	16A (AC)	
	Min. switching capacity (reference value)*1	100mA 5V DC		
Electrical characteristics	Contact gap	Min. 1 mm .039 inch		—
	Insulation resistance (Initial)	Min. 1,000MΩ (at 500V DC) Measurement at same location as "Breakdown voltage" section.		
	Breakdown voltage (Initial)	Between open contacts	1,000 Vrms for 1 min. (Detection current: 10 mA)	
		Between contact and coil	4,000 Vrms for 1 min. (Detection current: 10 mA)	
	Surge breakdown voltage*2 (Between contact and coil) (Initial)	10,000 V		
	Operate time (at nominal voltage) (at 20°C 68°F) (Initial)	Max. 15 ms (excluding contact bounce time.)		
Release time (at nominal voltage) (at 20°C 68°F) (Initial)	Max. 20 ms (excluding contact bounce time.) (with diode)			
Mechanical characteristics	Shock resistance	Functional	200 m/s ² (Half-wave pulse of sine wave: 11 ms; detection time: 10μs.)	
		Destructive	1,000 m/s ² (Half-wave pulse of sine wave: 6 ms.)	
	Vibration resistance	Functional	10 to 55 Hz at double amplitude of 1.5 mm (Detection time: 10μs.)	
		Destructive	10 to 55 Hz at double amplitude of 1.5 mm	
Expected life	Mechanical	Min. 2×10 ⁶ (at 180 times/min.)		
	Electrical	Min. 10 ⁵ (at 6 times/min.) (with diode)	Min. 5×10 ⁴ (at 6 times/min.) (with diode)	
Conditions	Conditions for operation, transport and storage*3	Ambient temperature: -40°C to +70°C -40°F to +158°F; Humidity: 5 to 85% R.H. (Not freezing and condensing at low temperature); Air pressure: 86 to 106 kPa		
	Max. operating speed	6 times/min. (at rated load)		
Unit weight		Approx. 12 g .42 oz		

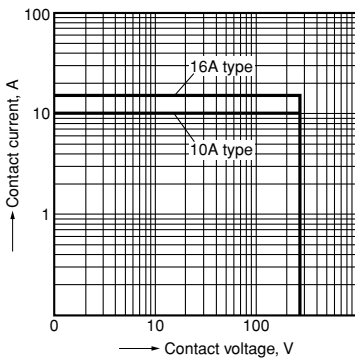
Notes: *1. This value can change due to the switching frequency, environmental conditions, and desired reliability level, therefore it is recommended to check this with the actual load.

*2. Wave is standard shock voltage of ±1.2×50μs according to JEC-212-1981

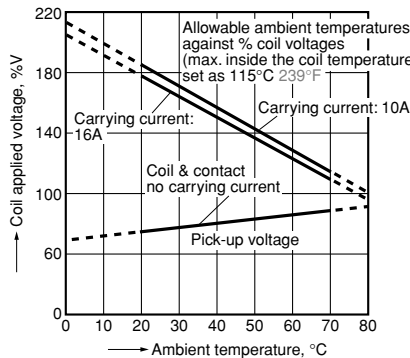
*3. The upper limit of the ambient temperature is the maximum temperature that can satisfy the coil temperature rise value. Refer to Usage, transport and storage conditions in NOTES.

REFERENCE DATA

1. Max. switching power (AC resistive load)



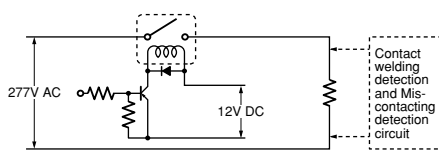
2. Ambient temperature characteristics and coil applied voltage



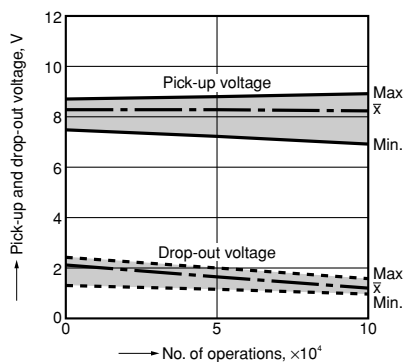
3-(1). Electrical life test (10A type)

Sample: LKG1aF-12V-10-1, 6 pcs.
Operation frequency: 6 times/min.
(ON/OFF = 1s: 9s)
Ambient temperature: 20°C 68°F

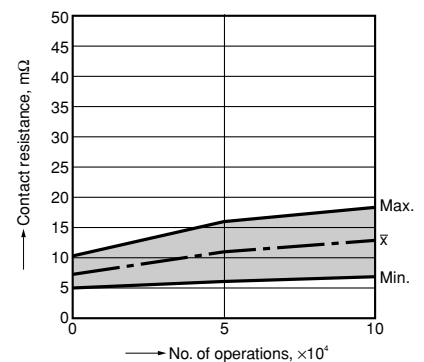
Circuit:



Change of pick-up and drop-out voltage



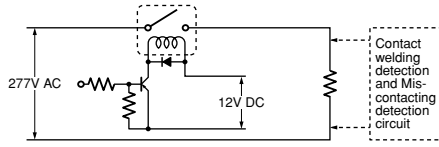
Change of contact resistance



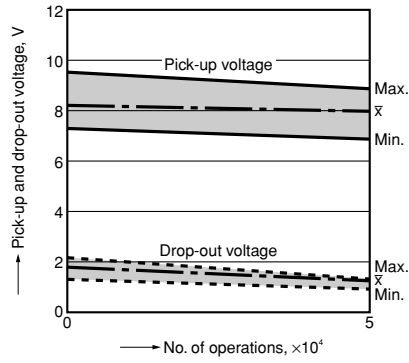
3-(2). Electrical life test (16A type)

Sample: LKG1aF-12V-16-1, 6 pcs.
 Operation frequency: 6 times/min.
 (ON/OFF = 1s: 9s)
 Ambient temperature: 20°C 68°F

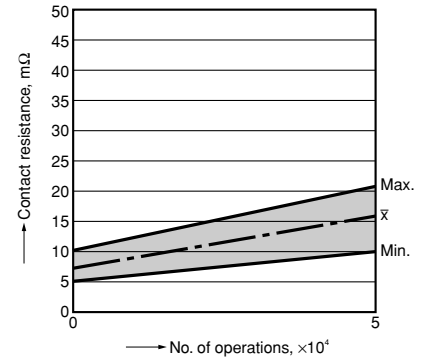
Circuit:



Change of pick-up and drop-out voltage



Change of contact resistance

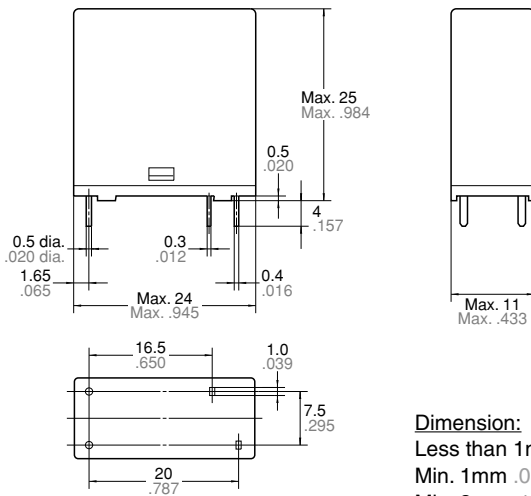


DIMENSIONS (mm inch)

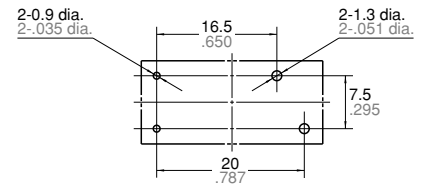
The CAD data of the products with a **CAD Data** mark can be downloaded from: <http://industrial.panasonic.com/ac/e/>

CAD Data

External dimensions



PC board pattern (Bottom view)



Tolerance: ±0.1 ±.004

Schematic (Bottom view)



Dimension:

Less than 1mm .039inch:
 Min. 1mm .039inch less than 3mm .118 inch: ±0.2 ±.008
 Min. 3mm .118 inch: ±0.3 ±.012

General tolerance

±0.1 ±.004
 ±0.2 ±.008
 ±0.3 ±.012

SAFETY STANDARDS

Item	UL/C-UL (Recognized)			TÜV (Certified)			TV rating (UL/C-UL)	
	File No.	Contact rating	Cycles	File No.	Contact rating	Cycles	File No.	Contact rating
10A type	E43149	10A 277V AC General use	10 ⁵	B 12 09 13461 333	10A 250V AC (cosφ=1.0)	10 ⁵	E43149	TV-5
		10A 40V DC Resistive	10 ⁵		10A 30V DC (0ms)	10 ⁵		—
		5A 30V DC Resistive	10 ⁵		—	—		—
16A type	E43149	16A 125V AC General use	10 ⁵	B 12 09 13461 333	16A 250V AC (cosφ=1.0)	10 ⁵	E43149	TV-5
		10A 40V DC Resistive	10 ⁵		16A 30V DC (0ms)	10 ⁵ *		—
		5A 30V DC Resistive	10 ⁵		—	—		—

* 1 mm Contact GAP type only (for standard GAP type, 16A 30V DC (0ms) 5×10⁴)

NOTES

1. For cautions for use, please read "GENERAL APPLICATION GUIDELINES".

Please contact

Panasonic Corporation

Electromechanical Control Business Division

■ 1006, Oaza Kadoma, Kadoma-shi, Osaka 571-8506, Japan
industrial.panasonic.com/ac/e/

Panasonic[®]

©Panasonic Corporation 2016