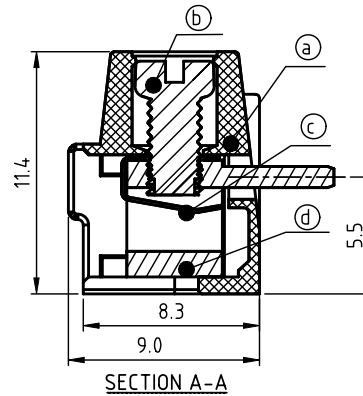
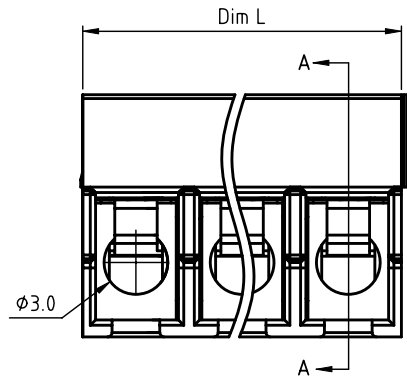
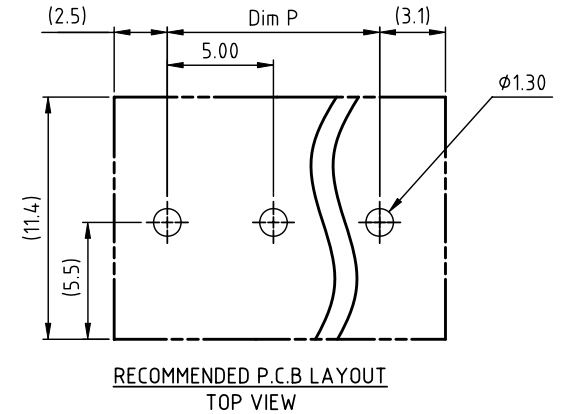
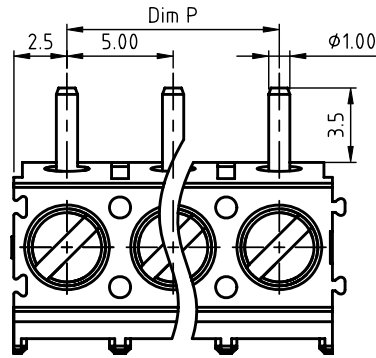


PRODUCT NUMBER	PITCH
KYxx01x300J0G	5.00 mm



Materials

- Item ① Terminal housing: Thermoplastic (UL 94V-0)
- Item ② Terminal screw: Steel Zinc plating ("-" slot type)
- Item ③ Wire guard: Stainless steel
- Item ④ Terminal body: Brass (CuZn), Tin Plated

Electrical	cULus	CQC
● Voltage rating: 300VAC		250VAC
● Current rating: 15A		24A
● Wire range:		
● Solid wire: 12-24 AWG		0.2-2.5mm <sup>2</sup>
● Stranded wire: 12-24 AWG		0.2-2.5mm <sup>2</sup>
● Torque: 3.0 Lb-In		0.4 N.m
● Screw: M2.6		
● Wire strip length: 5-6mm		
● Withstanding Voltage: 1.6KV		2KV
● Operating temperature: -40°C to +115°C		
● Soldering temperature: 260°C±5°C/5 Sec		
● Safety Approval:	ULus	CQC

N = Number of poles  
Dim L = N x 5.0  
Dim P = (N-1) x 5.0

PART NO.: KY xx 01 x 3 00J0 G

Poles	Dim.	Dim L	Dim P
2-6p		±0.15	±0.10
7-12p		±0.20	±0.20
13-18p		±0.30	±0.25
19-24p		±0.40	±0.30

	End stackable	Body Color	RoHS compliant
No. of poles	0	Black (RAL9005)	(lead<4%)
02 2 poles	2	Red (RAL3001/D)	In copper Alloy
03 3 poles	3	Orange (RAL2011/P)	
...	...	Yellow (RAL1018/A)	
24 24 poles	5	Green (RAL6018/T)	
	6	Blue (RAL5015/A)	
	8	Grey (RAL7035/D)	
	9	White (RAL1102)	
	C	Green (RAL6018/U)	

mat'l. code				surface ASME Y14.5		tolerance ASME Y14.5		projection		product family	
ltr	ecn	no	dr	date	tolerances unless otherwise specified				TERMINAL BLOCK		
					angles	X.±0.5			title		
						X.X±0.3	MM		TERMINAL BLOCK		
					X*±1"	X.XX±0.1	scale		WIRE PROTECTOR, ROUND HOLE, 90D WIRE INLET		
					dr	EVIN ZHONG	040214			dwg no	
					enr	EVIN ZHONG	040214	sheet 1 of 1		size	
					chr	HANKE FENG	040214	KYxx01x300J0G		A4	
					appd	SHI JUN	040214	type		CUSTOMER Drawing	
sheet index	revision	A									
	sheet	1									