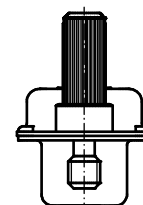
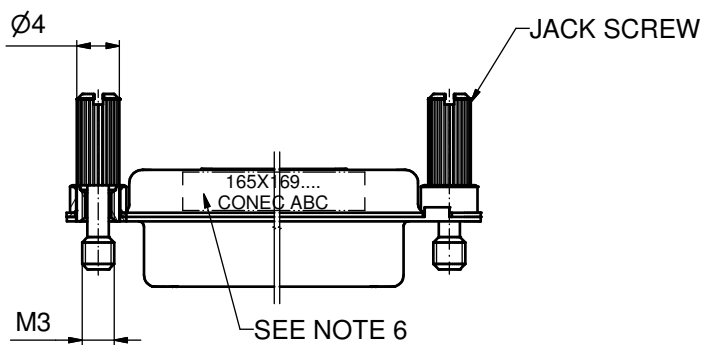
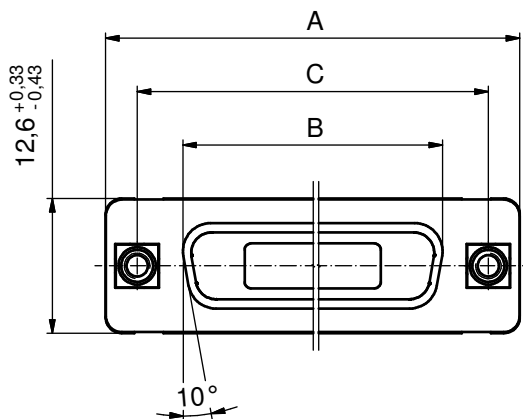
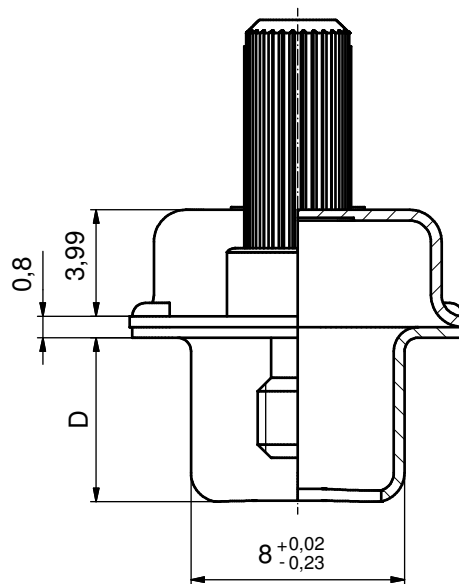


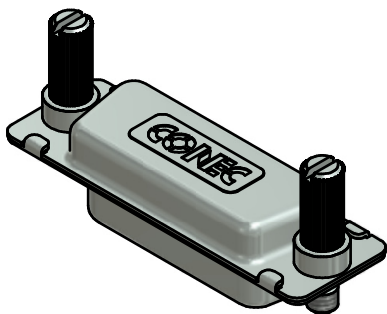
(b)

No. of pos.	A <sub>-0,76</sub>	B <sub>+0,25</sub>	C	D <sub>-0,3</sub>	Part-No. Bulk package	Part-No. Single package
9	31,19	16,79	25,00 <sup>+0,12</sup> <sub>-0,13</sub>	6,12	165X16959X	165X16959XE
15	39,52	25,12	33,30 <sup>+0,15</sup> <sub>-0,1</sub>	6,12	165X16969X	165X16969XE
25	53,42	38,84	47,04 $\pm$ 0,13	5,99	165X16979X	165X16979XE
37	69,70	55,30	63,50 $\pm$ 0,13	5,99	165X16989X	165X16989XE
50	67,31	52,68	61,10 <sup>+0,14</sup> <sub>-0,11</sub>	5,99	165X16999X	165X16999XE



NOTES:

- METALSHHELLS: STEEL; min. 315µm TIN over 40-80µm NICKEL
- THREADED INSERTS: COPPER ALLOY; min. 200µm TIN over 80µm NICKEL
- COLLARS: COPPER ALLOY; min. 200µm TIN over 80µm NICKEL
- JACKSCREWS: STEEL; NICKEL PLATED
- MAXIMUM TORQUE VALUE FOR THREAD: 6in.LB
- CONNECTOR IS PART MARKED: **PART-NO. CONEC ABC**



Directive 2002/95/EC RoHS compliant

THIS DRAWING MAY NOT BE COPIED OR REPRODUCED IN ANY WAY, AND MAY NOT BE PASSED ON TO A THIRD PARTY WITHOUT WRITTEN PERMISSION. OWNERSHIP AND COPYRIGHT OF CONEC GmbH DO NOT ALTER CAD DRAWING BY HAND				tolerance		scale: 2:1
				date	name	material: SEE NOTES
				drawn	11.05.10	Petker
				appd.	11.05.10	Fischer
				norm		
				d-old		
2 x b	Ä4160	15.11.2011	K.H.	title: <b>(b) SCREEN CAP</b> 9-50pos. FOR PLUG CONNECTOR with threaded insert and jackscrew		
a	Original					
rev.	description	date	name	<b>CONEC</b>		16K1A2656
						part no:
				SEE TABLE		