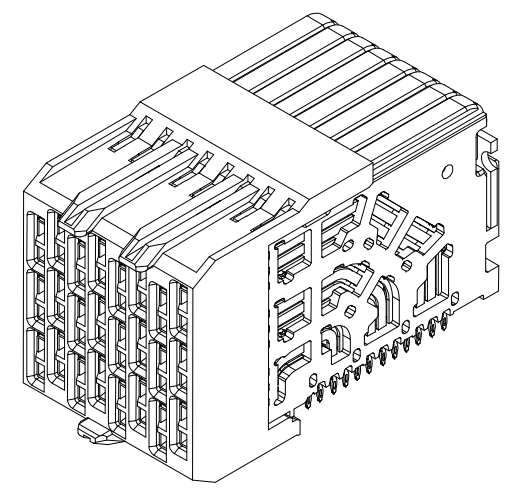


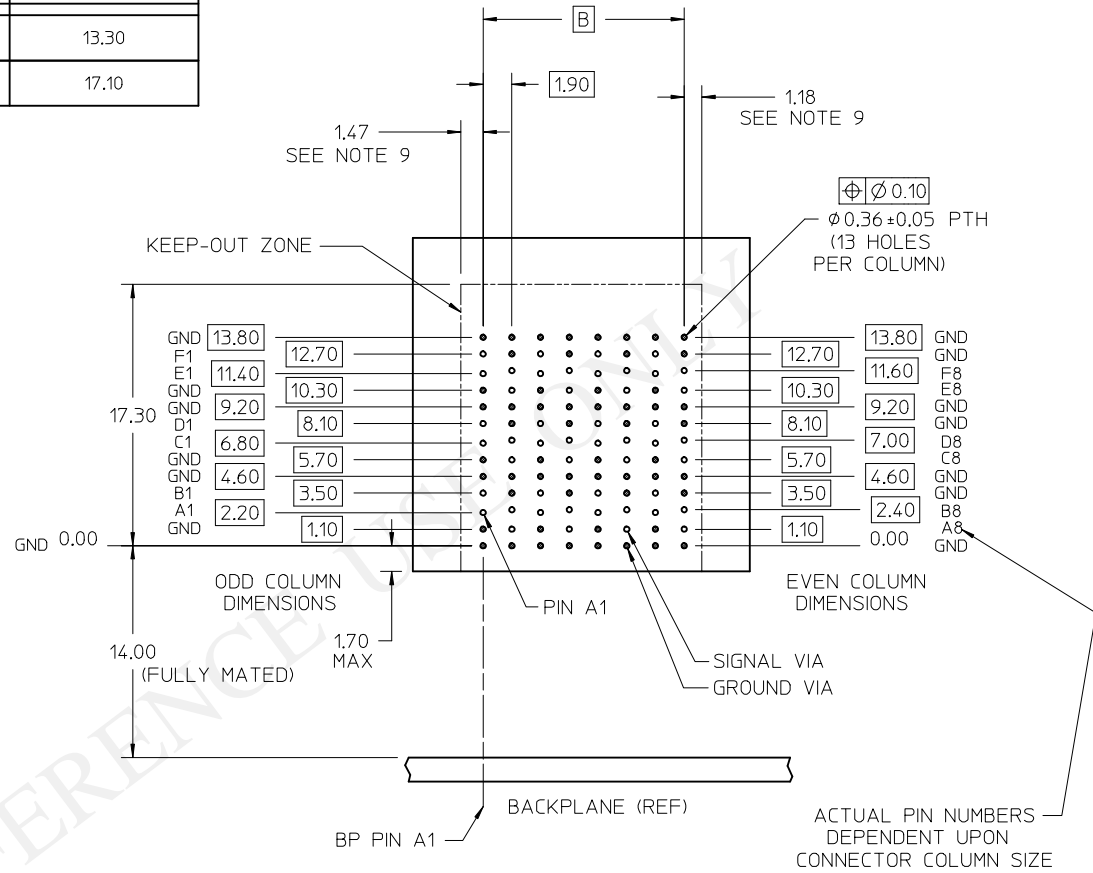
- NOTES:
1. MATERIALS: HOUSING - LIQUID CRYSTAL POLYMER (LCP)  
GLASS-FILLED, UL94V-0  
TERMINALS - HIGH PERFORMANCE COPPER ALLOY
  2. FINISH: 30uIN GOLD IN CONTACT AREA.  
SELECTIVE TIN ON PCB TAILS.  
NICKEL OVERALL.
  3. REFER TO MOLEX PRODUCT SPECIFICATION PS-171320-999 FOR PERFORMANCE SPECIFICATIONS.
  4. THIS PART CONFORMS TO CLASS B REQUIREMENTS OF MOLEX COSMETIC SPEC PS-45499-002.
  5. PRODUCT WILL BE PACKAGED PER PK-78888-083.
  6. SEE SHEET 2 FOR HOLE PATTERN DIMENSIONS.
  7. MATES WITH IMPEL BP SERIES NUMBER 171335.
  8. REFER TO IMPEL PCB ROUTING GUIDE AS-171320-990 FOR ANTIPAD, ROUTING RECOMMENDATIONS, AND ADDITIONAL PCB INFORMATION.
  9. WHEN STACKING MODULES END TO END, THE MINIMUM COLUMN TO COLUMN HOLE SPACING IS 2.65mm.



FOR REFERENCE USE

ADDED 10C EC NO: UCP2014-1910 DRWNB: JANOWI AK 2013/11/19 CHKD: APPR: B JANOWI AK 2013/11/19	QUALITY SYMBOLS ▽ = 0 ▽ = 0 ▽ = 0	GENERAL TOLERANCES (UNLESS SPECIFIED)		DIMENSION STYLE <b>MM ONLY</b>	SCALE <b>4:1</b>	DESIGN UNITS <b>METRIC</b>	THIRD ANGLE PROJECTION
		4 PLACES ± --- ± --- 3 PLACES ± --- ± --- 2 PLACES ± 0.13 ± --- 1 PLACE ± 0.25 ± --- 0 PLACE ± --- ± ---	mm INCH	DRAWN BY DATE JLAURX 2013/04/02	CHECKED BY DATE	TITLE <b>IMPEL DAUGHTERCARD ASSY                  3 PAIR - 1.9MM PITCH                  UNGUIDED SALES DRAWING</b>	
2	REV	ANGULAR ±1/2°		APPROVED BY DATE JLAURX 2013/04/03	MATERIAL NO.	DOCUMENT NO. <b>SD-171990-0001</b>	SHEET NO. 1 OF 2
DRAFT WHERE APPLICABLE MUST REMAIN WITHIN DIMENSIONS		SEE CHART		THIS DRAWING CONTAINS INFORMATION THAT IS PROPRIETARY TO MOLEX INCORPORATED AND SHOULD NOT BE USED WITHOUT WRITTEN PERMISSION			

MATERIAL NUMBER	NUMBER OF COLUMNS	NUMBER OF DIFF PAIR	DIM "A"	DIM "B"
171990-1038	8	24	15.95 MAX	13.30
171990-1020	10	30	19.75 MAX	17.10



DAUGHTERCARD HOLE PATTERN  
(CONNECTOR SIDE)

SEE SHEET 1 EC NO: UCP2014-1910 DRAWN BY: JANOWIAK 2013/11/19 CHKD: JANOWIAK APPR: B. JANOWIAK 2013/11/19	QUALITY SYMBOLS ▽=0 ▽=0 ▽=0	GENERAL TOLERANCES (UNLESS SPECIFIED)		DIMENSION STYLE MM ONLY		SCALE 4:1	DESIGN UNITS METRIC	THIRD ANGLE PROJECTION	
		mm		INCH		DRAWN BY JLAURX		DATE 2013/04/02	
		4 PLACES ± ---		± ---		CHECKED BY		DATE	
		3 PLACES ± ---		± ---		APPROVED BY JLAURX		DATE 2013/04/03	
2 PLACES ± 0.13		± ---		MATERIAL NO.		DOCUMENT NO.		SHEET NO.	
1 PLACE ± 0.25		± ---		ANGULAR ±1/2°		SEE CHART		SD-171990-0001	
0 PLACE ± ---		± ---		DRAFT WHERE APPLICABLE MUST REMAIN WITHIN DIMENSIONS		THIS DRAWING CONTAINS INFORMATION THAT IS PROPRIETARY TO MOLEX INCORPORATED AND SHOULD NOT BE USED WITHOUT WRITTEN PERMISSION		2 OF 2	