



154N Compensated

SPECIFICATIONS

- 316L SS Pressure Sensor
- 19mm Diameter Package
- 0 - 100mV Output
- Absolute and Gage
- Temperature Compensated

FEATURES

- O-Ring Mount
- -40°C to +125°C Operating Temperature Range
- Up to $\pm 0.1\%$ Pressure Non-Linearity
- 1.0% Interchangeable Span (provided by gain set resistor)
- Solid State Reliability

APPLICATIONS

- Medical Instruments
- Process Control
- Fresh & Waste Water Measurements
- Refrigeration/Compressors
- Pressure Transmitters
- Hydraulic Controls

STANDARD RANGES

Range	psia	psig
0 to 1	•	•
0 to 5	•	•
0 to 15	•	•
0 to 30	•	•
0 to 50	•	•
0 to 100	•	•
0 to 300	•	•
0 to 500	•	•

The 154N compensated is a 19 mm small profile, media compatible, piezoresistive silicon pressure sensor packaged in a 316L stainless steel housing. The 154N compensated is designed for O-ring mounting and OEM applications where compatibility with corrosive media is required.

The sensing package utilizes silicone oil to transfer pressure from the 316L stainless steel diaphragm to the sensing element. A ceramic substrate is attached to the package that contains laser-trimmed resistors for temperature compensation and offset correction. An additional laser-trimmed resistor is included which can be used to adjust an external differential amplifier and provide span interchangeability to within $\pm 1\%$.

Please refer to the 154N uncompensated and constant voltage datasheets for more information on different features of the 154N.

PERFORMANCE SPECIFICATIONS

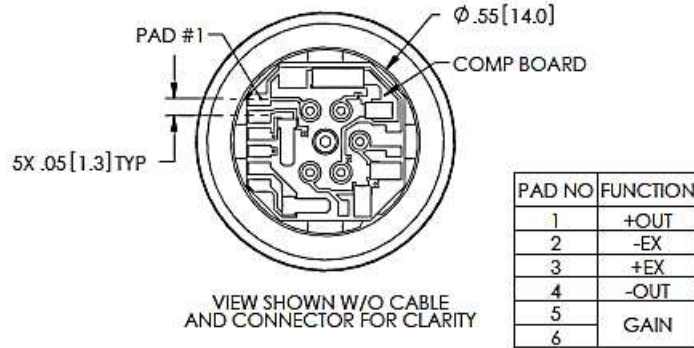
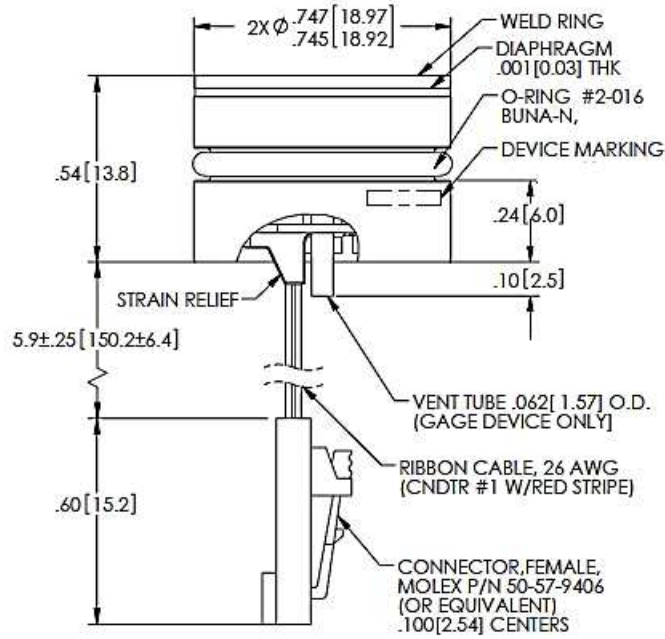
Unless otherwise specified: Supply Current: 1.5mA, Ambient Temperature: 25°C

PARAMETERS	≤005PSI			≥015PSI			UNITS	NOTES	
	MIN	TYP	MAX	MIN	TYP	MAX			
Span	50	100	150	75	100	150	mV	1	
Zero Pressure Output	-2.0	0	2.0	-1.0	0	1.0	mV	2	
Pressure Non Linearity	1psi: -0.30 to 0.30 5psi: -0.20 to 0.20			-0.10		0.10	%Span	3	
Pressure Hysteresis	-0.10	±0.02	0.10	-0.05	±0.02	0.05	%Span		
Repeatability	±0.02			±0.02			%Span		
Input Resistance	2.0	3.5	6.5	2.0	3.5	5.8	KΩ		
Output Resistance	4.0		7.0	4.0		6.0	KΩ		
Temperature Error – Span	-1.0		1.0	-0.75		0.75	%Span	4	
Temperature Error – Offset	-1.0		1.0	15psi: -0.75 to 0.75 >15psi: -0.50 to 0.50			%Span	4	
Thermal Hysteresis – Span	-0.25	±0.05	0.25	-0.25	±0.05	0.25	%Span	4	
Thermal Hysteresis – Offset	-0.25	±0.05	0.25	-0.25	±0.05	0.25	%Span	4	
Long Term Stability – Span		±0.10			±0.10		%Span/Year		
Long Term Stability – Offset		±0.25			±0.10		%Span/Year		
Supply Current	0.5	1.5	2.0	0.5	1.5	2.0	mA	5	
Output Load Resistance	5			5			MΩ	6	
Insulation Resistance (50V _{DC})	50			50			MΩ	7	
Output Noise (10Hz to 1KHz)		1.0			1.0		μV p-p		
Response Time (10% to 90%)		0.1			0.1		ms		
Pressure Overload		1psi: 10X max 5psi: 3X max				3X	Rated		
Pressure Burst		1psi: 12X max 5psi: 4X max				4X	Rated	8	
Compensated Temperature		1psi: 0 to 50 5psi: 0 to 70			-20		+85	°C	
Operating Temperature	-20		+70	-40		+125	°C	9	
Storage Temperature	-50		+125	-50		+125	°C	9	
Media – Pressure Port	Liquids and Gases compatible with 316/316L Stainless Steel								
Media – Reference Port	Compatible with Silicon, Pyrex, Gold, Fluorosilicone Rubber, and 316/316L Stainless Steel								

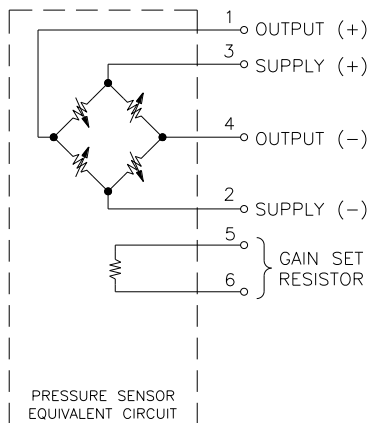
Notes

- For amplified output circuits, 3.012V ±1% interchangeability with gain set resistor. See application schematic.
- Measured at vacuum for absolute (A), ambient for gage (G).
- Best fit straight line.
- Over the compensated temperature range with respect to 25°C.
- Guarantees output/input ratiometricity.
- Load resistance to reduce measurement errors due to output loading.
- Between case and sensing element.
- The maximum pressure that can be applied to a transducer without rupture of either the sensing element or transducer.
- Maximum temperature range for product with standard cable and connector is -20°C to +105°C.
- Standard gage units are not recommended for vacuum applications. For vacuum applications below 1/2 atmosphere, consult factory.
- Device Marking:
Each part shall be identified with Model Number, Pressure Range, Type, Lot Number, Serial Number and Date Code.
- Shipping/Packaging:
The stainless steel diaphragm is protected by a plastic cap. Each unit will be packaged individually in a plastic vial with anti-static foam.

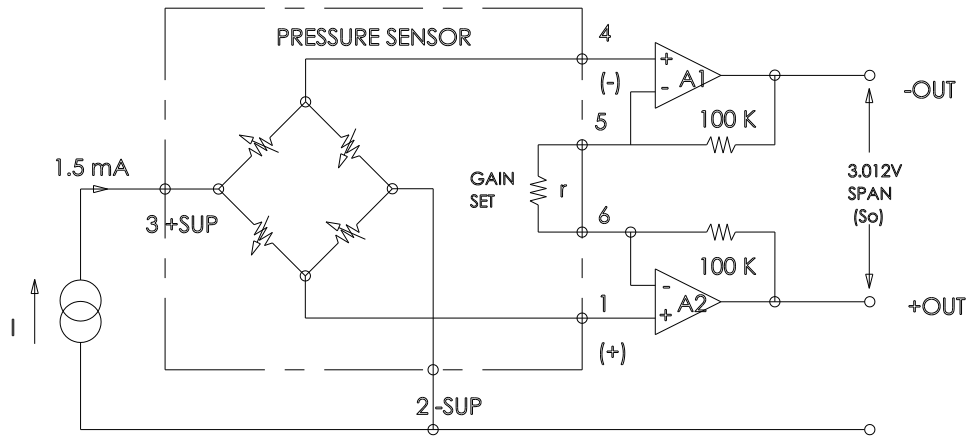
DIMENSIONS



CONNECTIONS



APPLICATION SCHEMATIC



ORDERING INFORMATION

154N - 030 A - P I

Pressure Range [psi]	
001	(Gage Only)
005	
015	
030	
050	
100	
300	
500	

Pressure Type	
G	Gage
A	Absolute

Vent	
T	Tube
[Blank]	No Tube

Electrical	
P	Solder Pads
R	Ribbon cable
C	Cable w/ Connector

NORTH AMERICA

Measurement Specialties, Inc.,
a TE Connectivity Company
Tel: +1 800-522-6752
Email: customercare.frmt@te.com

EUROPE

Measurement Specialties (Europe), Ltd.,
a TE Connectivity Company
Tel: +31 73 624 6999
Email: customercare.lcsb@te.com

ASIA

Measurement Specialties (China), Ltd.,
a TE Connectivity Company
Tel: +86 0400-820-6015
Email: customercare.shzn@te.com

TE.com/sensorsolutions

Measurement Specialties, Inc., a TE Connectivity company.

Measurement Specialties, TE Connectivity, TE Connectivity (logo) and EVERY CONNECTION COUNTS are trademarks. All other logos, products and/or company names referred to herein might be trademarks of their respective owners.

The information given herein, including drawings, illustrations and schematics which are intended for illustration purposes only, is believed to be reliable. However, TE Connectivity makes no warranties as to its accuracy or completeness and disclaims any liability in connection with its use. TE Connectivity's obligations shall only be as set forth in TE Connectivity's Standard Terms and Conditions of Sale for this product and in no case will TE Connectivity be liable for any incidental, indirect or consequential damages arising out of the sale, resale, use or misuse of the product. Users of TE Connectivity products should make their own evaluation to determine the suitability of each such product for the specific application.

© 2015 TE Connectivity Ltd. family of companies All Rights Reserved.