

USB Type-C protection and filtering evaluation PCBs

Data brief



Features

- Protection of all lines (data, control and power)
- Common mode filters for USB 2.0 and USB 3.1 lines on STEVAL-OET004V1D
- Plug and receptacle enabling insertion of the PCB between host and cable or device and cable

Description

The STEVAL-OET004V1 kit is designed to evaluate ESD protection and filtering solutions by ST for USB Type-C connectors.

Different PCBs in the kit provide protection solutions for different packages:

STEVAL-OET004V1A for 0201 packages

STEVAL-OET004V1B for 400 μm packages

STEVAL-OET004V1C for 500 μm packages

STEVAL-OET004V1D for 500 μm and 0201 packages

1 Schematic diagrams

Figure 1: STEVAL-OET004V1A circuit schematic: protection solution with 0201 packages

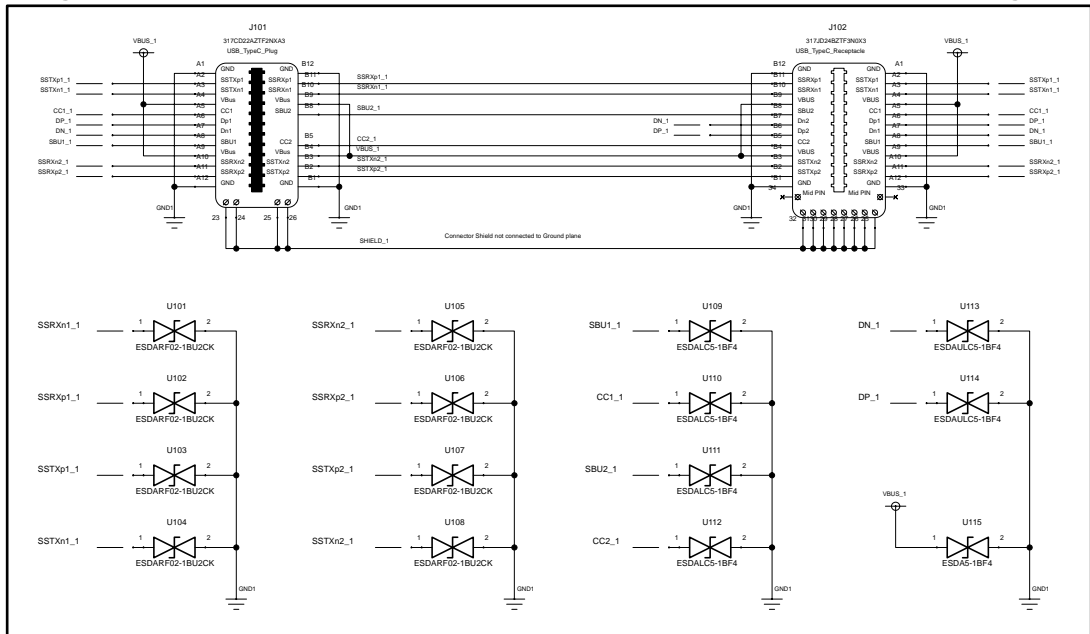


Figure 2: STEVAL-OET004V1B circuit schematic: protection solution with 400 μm packages

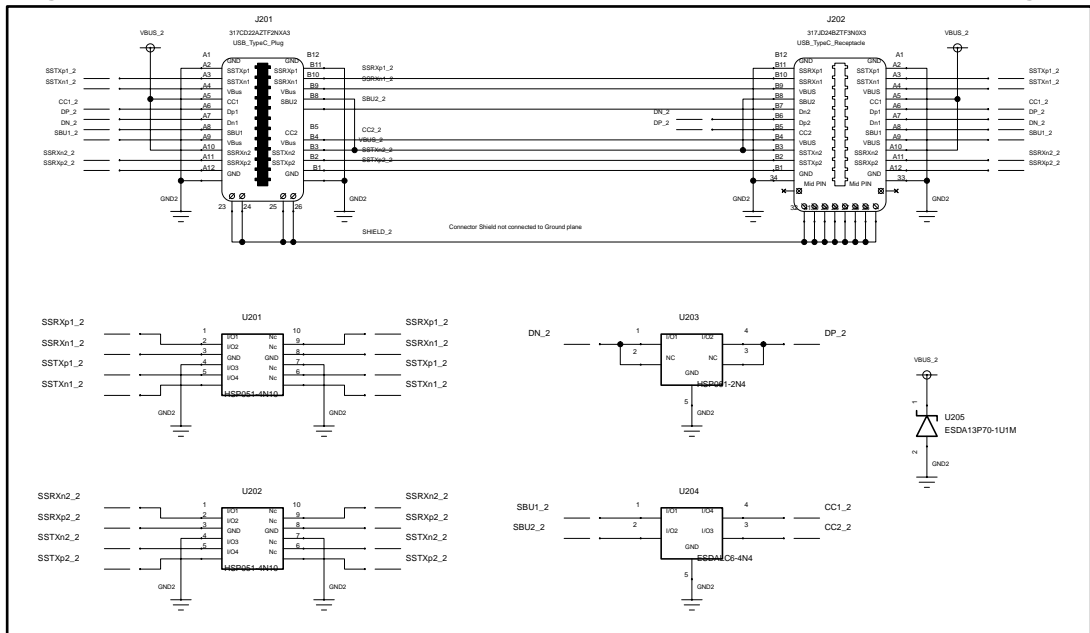


Figure 3: STEVAL-OET004V1C circuit schematic: protection solution with 500 μm packages

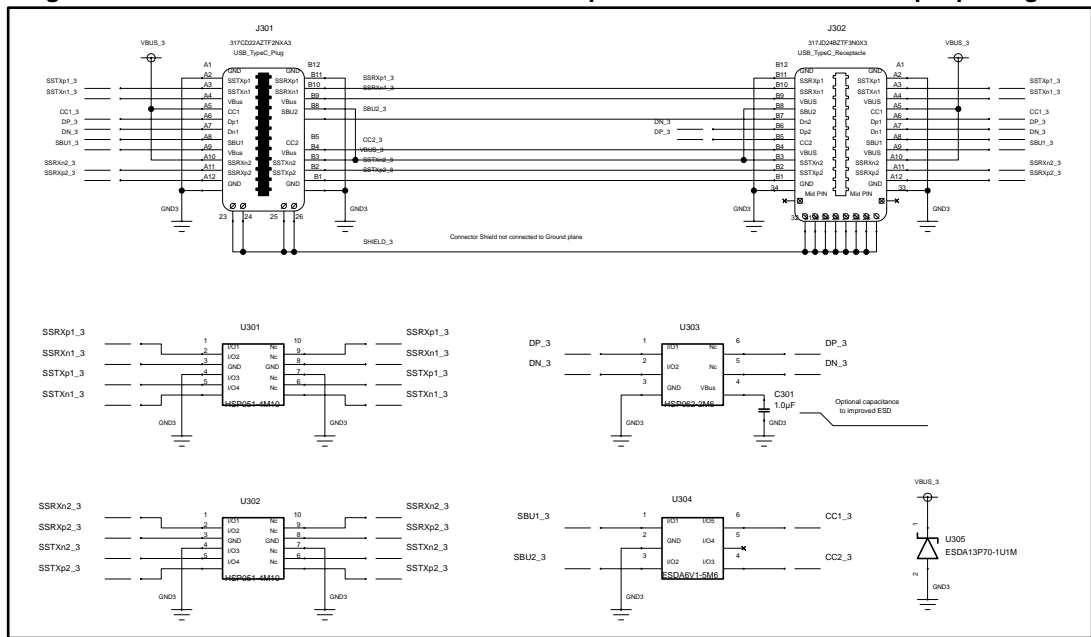
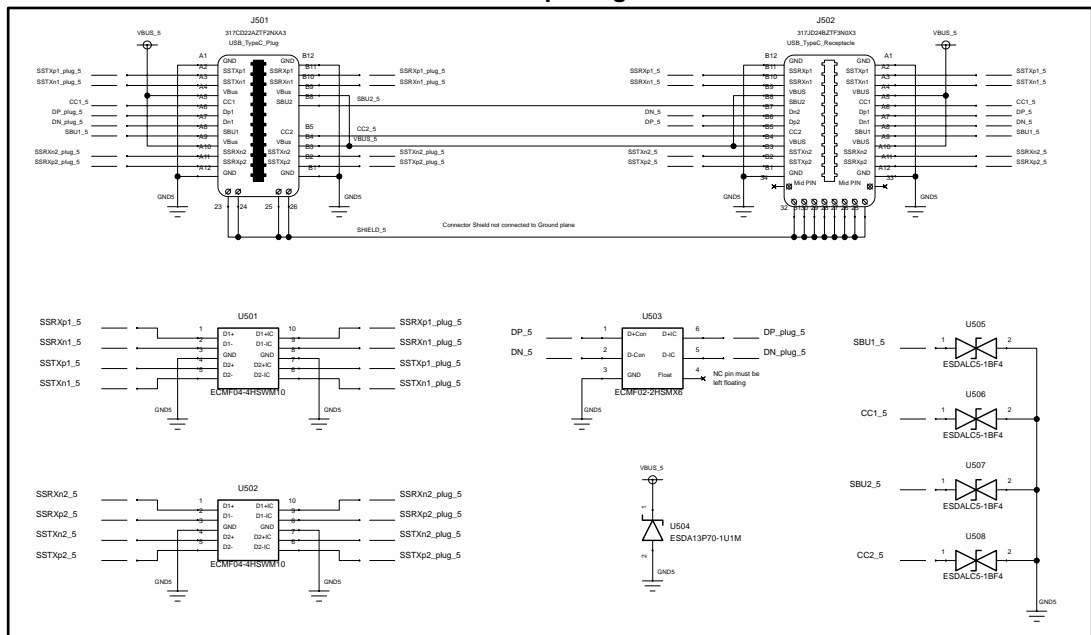


Figure 4: STEVAL-OET004V1D circuit schematic: protection and filtering solution with 500 μm and 0201 packages



2 Revision history

Table 1: Document revision history

Date	Version	Changes
25-Aug-2016	1	Initial release.
16-Dec-2016	2	Text edits. Updated cover page image.

IMPORTANT NOTICE – PLEASE READ CAREFULLY

STMicroelectronics NV and its subsidiaries ("ST") reserve the right to make changes, corrections, enhancements, modifications, and improvements to ST products and/or to this document at any time without notice. Purchasers should obtain the latest relevant information on ST products before placing orders. ST products are sold pursuant to ST's terms and conditions of sale in place at the time of order acknowledgement.

Purchasers are solely responsible for the choice, selection, and use of ST products and ST assumes no liability for application assistance or the design of Purchasers' products.

No license, express or implied, to any intellectual property right is granted by ST herein.

Resale of ST products with provisions different from the information set forth herein shall void any warranty granted by ST for such product.

ST and the ST logo are trademarks of ST. All other product or service names are the property of their respective owners.

Information in this document supersedes and replaces information previously supplied in any prior versions of this document.

© 2016 STMicroelectronics – All rights reserved