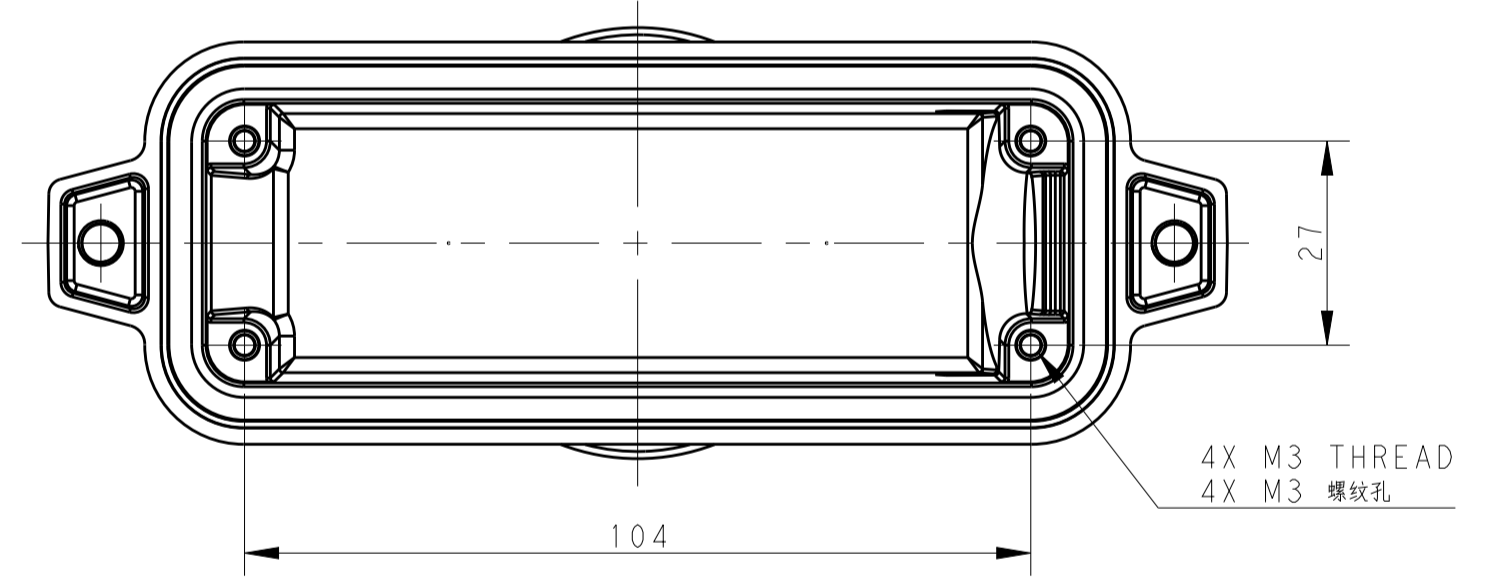
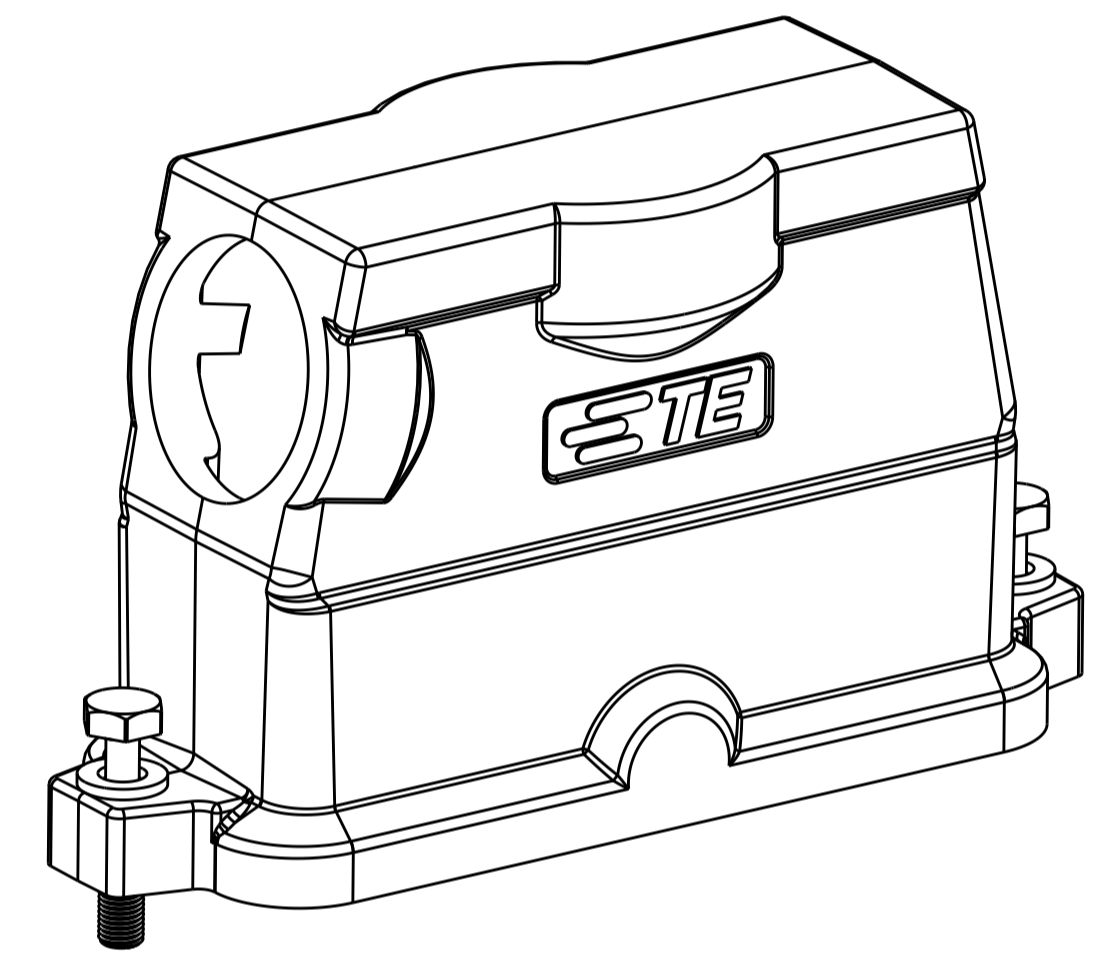
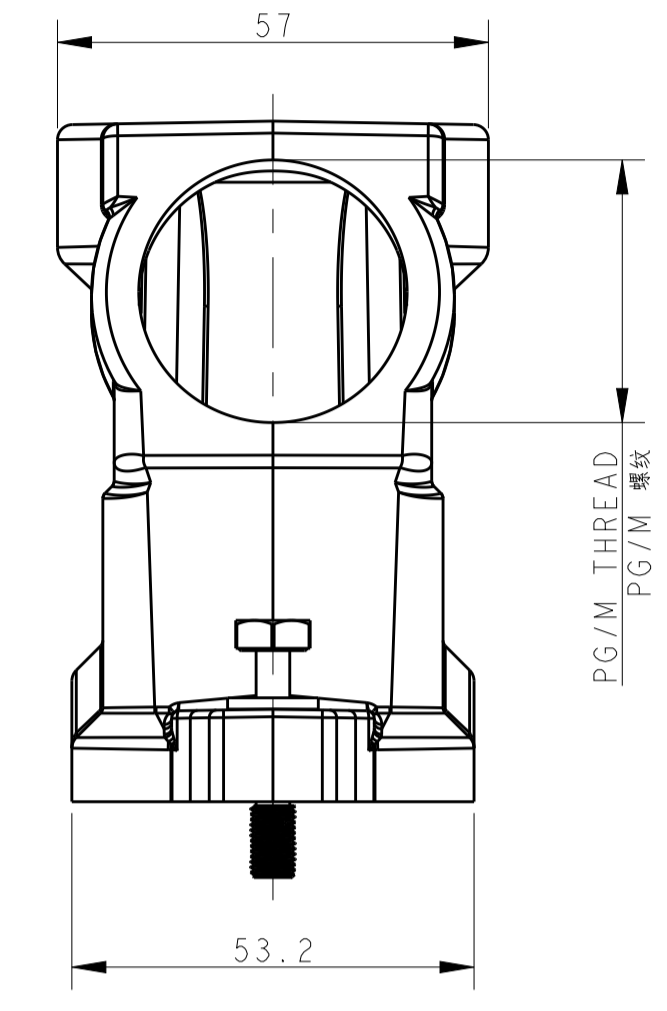
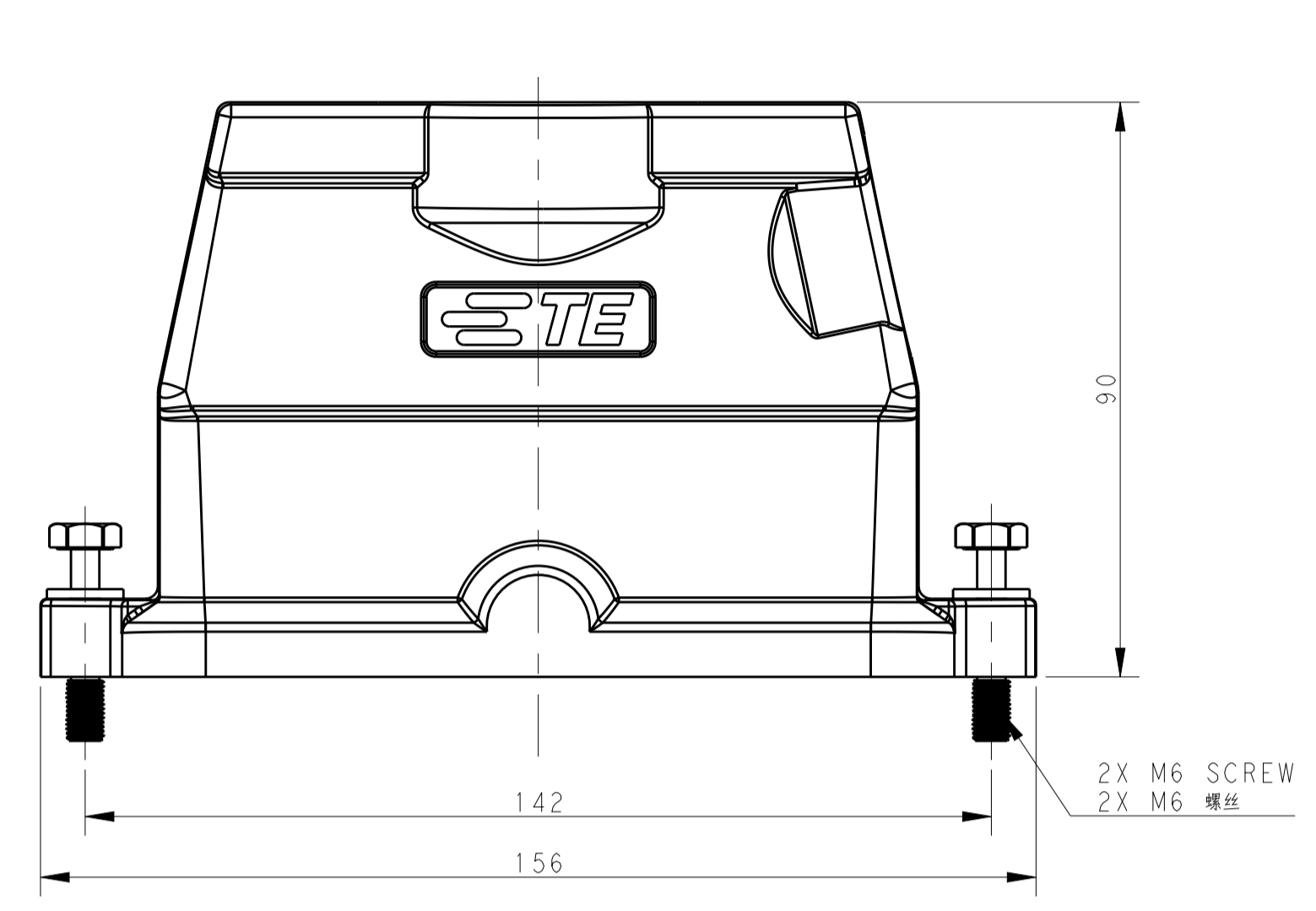


REVISIONS				
P	LTN	DESCRIPTION	DATE	OWN APVD
A		INITIAL RELEASE	07JUN2016	DW CW

NOTES:
 1. TECHNICAL CHARACTERISTICS:
 HOOD MATERIAL: DIE CAST ALUMINIUM ALLOY
 SURFACE: SEE TABLE
 DEGREE OF PROTECTION: IP68 (MATED)

注释:
 1. 技术参数:
 壳体材料: 铝合金
 表面处理: 见表格
 防护等级: IP68 (配合)



PART NUMBER 料号	DESCRIPTION 描述	PG/M THREAD PG/M 螺纹
T1912241140-009	H24BPR-TSHC-M40-EMC-C H24BPR HOOD,CENTER LOCKING,SIDE ENTRY M40,POWDER COATED,SILVER WHITE H24BPR中部锁定侧出上壳M40 银白色	M40
T1912241132-009	H24BPR-TSHC-M32-EMC-C H24BPR HOOD,CENTER LOCKING,SIDE ENTRY M32,POWDER COATED,SILVER WHITE H24BPR中部锁定侧出上壳M32 银白色	M32
T1912241129-009	H24BPR-TSHC-PG29-EMC-C H24BPR HOOD,CENTER LOCKING,SIDE ENTRY PG29,POWDER COATED,SILVER WHITE H24BPR中部锁定侧出上壳PG29 银白色	PG29
T1912241125-009	H24BPR-TSHC-M25-EMC-C H24BPR HOOD,CENTER LOCKING,SIDE ENTRY M25,POWDER COATED,SILVER WHITE H24BPR中部锁定侧出上壳M25 银白色	M25
T1912241121-009	H24BPR-TSHC-PG21-EMC-C H24BPR HOOD,CENTER LOCKING,SIDE ENTRY PG21,POWDER COATED,SILVER WHITE H24BPR中部锁定侧出上壳PG21 银白色	PG21
T1912240140-009	H24BPR-TSHC-M40-EMC-C H24BPR HOOD,CENTER LOCKING,SIDE ENTRY M40,POWDER COATED,BLACK H24BPR中部锁定侧出上壳M40 黑色	M40
T1912240132-009	H24BPR-TSHC-M32-EMC-C H24BPR HOOD,CENTER LOCKING,SIDE ENTRY M32,POWDER COATED,BLACK H24BPR中部锁定侧出上壳M32 黑色	M32
T1912240129-009	H24BPR-TSHC-PG29-EMC-C H24BPR HOOD,CENTER LOCKING,SIDE ENTRY PG29,POWDER COATED,BLACK H24BPR中部锁定侧出上壳PG29 黑色	PG29
T1912240125-009	H24BPR-TSHC-M25-EMC-C H24BPR HOOD,CENTER LOCKING,SIDE ENTRY M25,POWDER COATED,BLACK H24BPR中部锁定侧出上壳M25 黑色	M25
T1912240121-009	H24BPR-TSHC-PG21-EMC-C H24BPR HOOD,CENTER LOCKING,SIDE ENTRY PG21,POWDER COATED,BLACK H24BPR中部锁定侧出上壳PG21 黑色	PG21

THIS DRAWING IS A CONTROLLED DOCUMENT. TOLERANCES UNLESS OTHERWISE SPECIFIED:		OWN: DAVID WANG 07JUN2016 CHK: CHRIS WANG 07JUN2016 APVD: XIANG YU 07JUN2016	TE Connectivity NAME: H24BPR-TSHC-PG/M-EMC-C	
DIMENSIONS:	mm	0 PLC ± 1 PLC ± 2 PLC ± 3 PLC ± 4 PLC ± ANGLES ±	PRODUCT SPEC: 108-137191 APPLICATION SPEC: 114-137191	SIZE: A1
MATERIAL:	FINISH:	WEIGHT:	CUSTOMER DRAWING	SCALE: 1:1 SHEET 1 OF 1 REV A