

THIS DRAWING IS UNPUBLISHED.

RELEASED FOR PUBLICATION MAY , 2006.

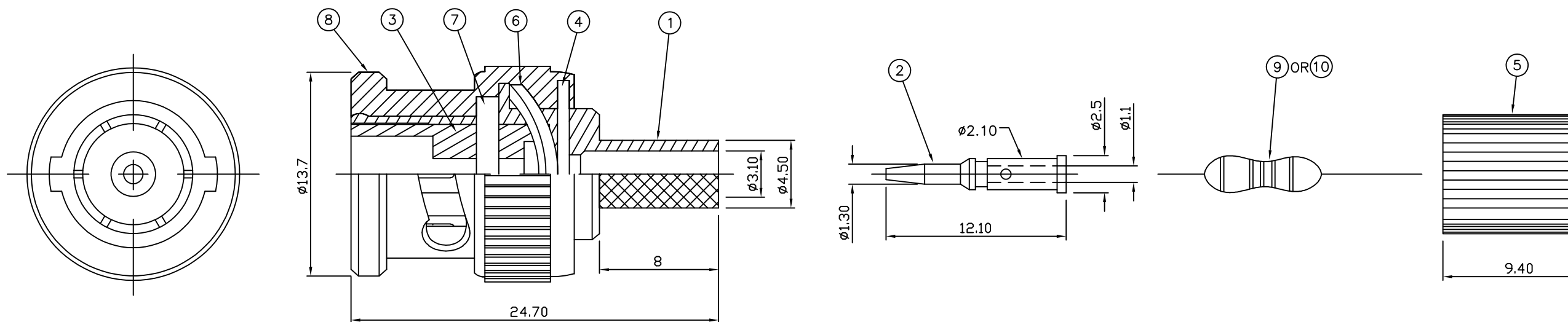
© COPYRIGHT 2006 By -

ALL RIGHTS RESERVED.

LOC	DIST	REVISIONS			
P	LTR	DESCRIPTION	DATE	DWN	APVD
E	B	B	ECO-09-003420	10 Mar 09	RITA BOB
		C	ECO-12-010787	11JUN12	TITAN MARTIN

NOTES

- 1 SINGLE PACK IN ACCORDANCE WITH AMP SPEC 107-3275
- 2 100 TRAY PACK IN ACCORDANCE WITH AMP SPEC 107-3275
- 3 Au PLATING
- 4 Ni PLATING



Obsolete	Obsolete	Obsolete	Quantity	Description	Item
1	1	-	1	METAL FILM	RESISTOR 75 OHM
-	-	1	1	METAL FILM	RESISTOR 50 OHM
1	1	1	1	ZINC ALLOY	BARREL
1	1	1	1	SILICON RUBBER	GASKET
1	1	1	1	SPRING STEEL	SPRING
1	1	1	1	ZINC ALLOY	CAP
1	1	1	1	IRON	WASHER
1	1	1	1	POLYMETHYLPENTENE	INSULATOR
1	1	1	1	BRASS	CONTACT
1	1	1	1	ZINC ALLOY	BODY
5	35	25	15	MATERIAL	DESCRIPTION

THIS DRAWING IS A CONTROLLED DOCUMENT.		DWN RITA ZUO 10 Mar 09	STE TE Connectivity	
DIMENSIONS: mm		CHK ANSON MA 10 Mar 09		
TOLERANCES UNLESS OTHERWISE SPECIFIED:		APVD BOB ZHAO 10 Mar 09	NAME BNC PLUG TERMINATION - 50 OHM & 75 OHM	
0 PLC ± 0.5		PRODUCT SPEC 108-112000	SIZE	
1 PLC ± 0.3		APPLICATION SPEC	CAGE CODE	
2 PLC ± 0.2		WEIGHT	DRAWING NO	
3 PLC ± -		CUSTOMER DRAWING	RESTRICTED TO	
4 PLC ± -		FINISH	SCALE	
ANGLES ± -		SEE TABLE	SHEET	
MATERIAL			REV	
			1 OF 1	
			C	