

CAN FD v1.0

LogiCORE IP Product Guide

Vivado Design Suite

PG223 October 5, 2016

Table of Contents

IP Facts

Chapter 1: Overview

Core Description	7
Licensing and Ordering Information	8

Chapter 2: Product Specification

Standards	9
Performance	9
Resource Utilization	9
Port Descriptions	9
Register Space	10

Chapter 3: Designing with the Core

Operating Modes and States	57
Programming Model	62
Clocking	70
Resets	70
Interrupts	71

Chapter 4: Design Flow Steps

Customizing and Generating the Core	73
Constraining the Core	76
Simulation	77
Synthesis and Implementation	77

Chapter 5: Example Design

Overview	78
Simulating the Example Design	79

Chapter 6: Test Bench

Appendix A: Verification, Compliance, and Interoperability

Compliance Testing	82
--------------------------	----

Appendix B: Migrating and Upgrading

Migrating to the Vivado Design Suite.....	83
Upgrading in the Vivado Design Suite	83

Appendix C: Debugging

Finding Help on Xilinx.com	84
Debug Tools	86
Hardware Debug	86
Interface Debug	87

Appendix D: Additional Resources and Legal Notices

Xilinx Resources	89
References	89
Revision History	90
Please Read: Important Legal Notices	90

Introduction

The Xilinx® LogiCORE™ IP CAN with Flexible Data-Rate (CAN FD) core is ideally suited for automotive and industrial applications such as automotive body control units, automotive test equipment, instrument clusters, sensor controls, and industrial networks. The core can be used in stand-alone mode or connected to Xilinx MicroBlaze™ processors or the ARM® Cortex-A9 processors in Zynq®-7000 All Programmable SoC.

Features

- Designed to ISO 11898-1/2015 specification
- Supports both CAN and CAN FD frames
- Parameterized support to select between ISO CAN FD frame or non-ISO CAN FD frame formats⁽¹⁾
- Supports up to 64 bytes CAN FD frames
- Supports flexible data rates > 4 Mb/s
- Transmitter Delay compensation up to three data bit
- TX and RX mailbox buffers with a user configuration depth
- 32-deep Sequential RX buffers (FIFO mode) with 32 ID Filter-Mask pairs
- Message with lowest ID transmitted first
- Supports TX Message Cancellation
- Separate error logging for fast data rate

IMPORTANT: It is required to have a valid Bosch CAN FD protocol license before selling a device containing the Xilinx CAN FD IP core.

LogiCORE™ IP Facts Table	
Core Specifics	
Supported Device Family ⁽¹⁾	UltraScale+™ Families, UltraScale™ Architecture, Zynq®-7000 All Programmable SoC, 7 Series
Supported User Interfaces	AXI4-Lite
Resources	Performance and Resource Utilization web page
Provided with Core	
Design Files	Encrypted RTL
Example Design	Verilog
Test Bench	Verilog
Constraints File	XDC
Simulation Model	Not Provided
Supported S/W Driver ⁽²⁾	Standalone and Linux
Tested Design Flows⁽³⁾	
Design Entry	Vivado® Design Suite
Simulation	For supported simulators, see the Xilinx Design Tools: Release Notes Guide .
Synthesis	Vivado Synthesis
Support	
Provided by Xilinx at the Xilinx Support web page	

Notes:

1. For a complete listing of supported devices, see the Vivado IP catalog.
2. Standalone driver details can be found in the SDK directory (<install_directory>/SDK/<release>/data/embeddedsw/doc/xilinx_drivers.htm). Linux OS and driver support information is available from the [Xilinx Wiki page](#).
3. For the supported versions of the tools, see the [Xilinx Design Tools: Release Notes Guide](#).

1. CAN FD frame format specified in ISO 11898:2015 specification [Ref 1] is called ISO CAN FD frame format. CAN FD frame format specified in Bosch CAN FD specification [Ref 2] is called non-ISO CAN FD frame format.

Other Features

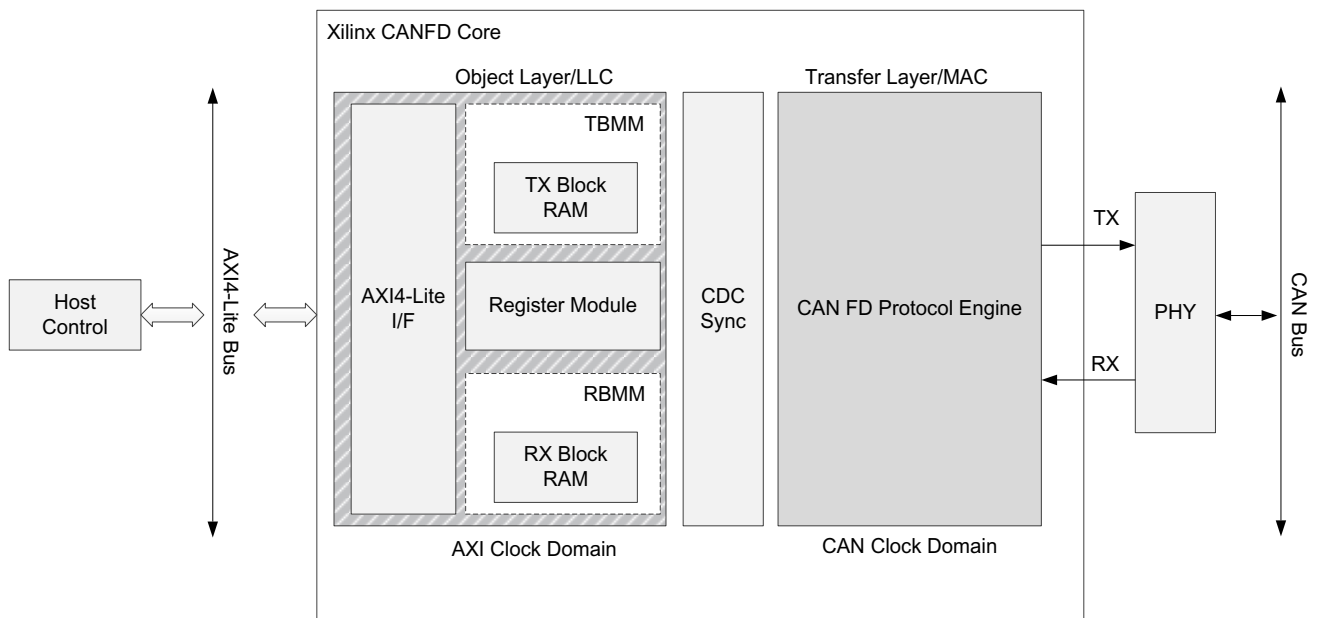
- Timestamp for transmitted and received messages
- Supports the following:
 - Disable Auto-retransmission (DAR) mode
 - Snoop (Bus Monitoring) mode
 - Sleep mode with Wake-up interrupt
 - Internal Loopback mode

Overview

This product guide describes features of the Xilinx LogiCORE IP CAN FD core and the functionality of the various registers in the design. In addition, the core interface and its customization options are defined in this document.

Information on the CAN or CAN FD protocol is outside the scope of this document, and knowledge of the relevant CAN and CAN FD specifications is assumed.

Figure 1-1 illustrates the high-level architecture of the CAN FD core and provides the interface connectivity.



X14811-102215

Figure 1-1: CAN FD Core Layered Architecture and Connectivity

Note: The core requires an external PHY to be connected to communicate on the CAN bus.

Core Description

The core functions are divided into two independent layers as shown in [Figure 1-1](#). Object layer interfaces with the Host Control through the AXI4-Lite interface and works in the AXI4 clock domain. The Transfer Layer interfaces with the external PHY and operates in the CAN clock domain. Information exchanges between the two layers is done through the CDC synchronizers. The CAN FD object layer provides a state-of-the-art transmission and reception method to manage message buffers.

Object Layer (Logical Link Layer)

The object layer is divided into the following submodules:

- **Register Module** – This module allows for read and write access to the registers through the external Host interface.
- **TX Buffer Management Module** – TX Buffer Management Module (TBMM) interfaces with the CAN FD protocol engine to provide the next buffer to transmit on the CAN bus. It manages the Host access to the TX block RAM.
- **RX Buffer Management Module** – RX Buffer Management Module (RBMM) interfaces with the CAN FD protocol engine to provide storage for message reception from the CAN bus. It manages the Host access to the RX block RAM.

Transfer Layer (Medium Access Control Layer)

Transfer layer provides the following main functions:

- Initiation of the transmission process after recognizing bus idle (compliance with inter-frame space).
 - Serialization of the frame
 - Bit stuffing
 - Arbitration and passing into receive mode in case of loss of arbitration
 - ACK check
 - Presentation of a serial bitstream to PHY for transmission
 - CRC sequence calculation including stuff bit count for FD frames
 - Bit rate switching
- Reception of a serial bitstream from the PHY.
 - Deserialization and recompiling of the frame structure
 - Bit de-stuffing

- Transmission of ACK
 - Bit rate switching
 - Bit timing functions.
 - Error detection and signaling.
 - Recognition of an overload condition and reaction.
-

Licensing and Ordering Information



IMPORTANT: *It is required to have a valid Bosch CAN FD protocol license before selling a device containing the Xilinx CAN FD IP core.*

License Checkers

If the IP requires a license key, the key must be verified. The Vivado[®] design tools have several license checkpoints for gating licensed IP through the flow. If the license check succeeds, the IP can continue generation. Otherwise, generation halts with error. License checkpoints are enforced by the following tools:

- Vivado synthesis
- Vivado implementation
- write_bitstream (Tcl command)



IMPORTANT: *IP license level is ignored at checkpoints. The test confirms a valid license exists. It does not check IP license level.*

License Type

The core is provided under the terms of the CAN FD LogiCORE™ IP License Agreement for [Automotive](#) or [Non-Automotive](#) applications. [Click here](#) for more information about obtaining a CAN FD license.

For more information, visit the [CAN FD product web page](#).

Information about other Xilinx LogiCORE IP modules is available at the [Xilinx Intellectual Property](#) page. For information on pricing and availability of other Xilinx LogiCORE IP modules and tools, contact your [local Xilinx sales representative](#).

Product Specification

Standards

The CAN FD core conforms to the ISO-11898-1/2015 standard specification.

Performance

For full details about performance and resource utilization, visit the [Performance and Resource Utilization web page](#).

Resource Utilization

For full details about performance and resource utilization, visit the [Performance and Resource Utilization web page](#).

Port Descriptions

The Host interface of the CAN FD core is the AXI4-Lite Interface. [Table 2-1](#) defines the core interface signaling.

Table 2-1: CAN FD Core I/O Signals

Signal Name	Interface	Type	Default	Description
AXI4-Lite Interface Signals				
s_axi_*(¹)	S_AXI_LITE	–	–	See the <i>Vivado AXI Reference Guide</i> (UG1037) [Ref 6] for the description of the AXI4 signals.
Clock, Interrupt and PHY Signals				
ip2bus_intrevent	Interrupt	O	0x0	Active-High interrupt line. ⁽²⁾⁽³⁾
can_clk	Clock	I	–	CAN Clock input. Oscillator frequency tolerance as per the standard specification.

Table 2-1: CAN FD Core I/O Signals (Cont'd)

Signal Name	Interface	Type	Default	Description
can_phy_tx	PHY	O	1	CAN bus transmit signal to PHY.
can_phy_rx	PHY	I	–	CAN bus receive signal from PHY.

Notes:

1. The core does not support wstrb signal on the AXI4-Lite interface.
2. The interrupt line is level sensitive. Interrupts are indicated by the transition of the interrupt line logic from 0 to 1.
3. The AXI4-Lite interface signals and ip2bus_intrevent are synchronous to s_axi_aclk clock.

Register Space

The CAN FD core requires 8 KB memory mapped space to be allocated in system memory. Division of this addressable space within the core is shown in [Table 2-2](#).

Note: The AXI4-Lite write access register is updated by the 32-bit AXI Write Data (*_wdata) signal, and is not impacted by the AXI Write Data Strobe (*_wstrb) signal. For write access, both the AXI Write Address Valid (*_awvalid) and AXI Write Data Valid (*_wvalid) signals should be asserted together.

Table 2-2: CAN FD Address Space Division

Start Address	End Address	Section	Notes
0x0000	0x00FF	Core Registers Space	This space is implemented with flip-flops. See Table 2-3 and Table 2-4 .
0x0100	0x0FFF	TX Message Space	This space is implemented with TX block RAM and provides storage for a maximum 32 TX buffers. See Table 2-28 .
0x1000	0x1FFF	RX Message Space	This space is implemented with RX block RAM. For RX Sequential buffer mode (FIFO mode), it provides storage for 32-deep message FIFO and 32 ID Filter-Mask pairs. See Table 2-32 . For RX Mailbox buffer mode, it provides storage for maximum 48 RX Buffers and respective ID Masks. See Table 2-38 .

Table 2-3: CAN FD Core Register Address Map

Start Address	Name	Access	Description	Notes
0x0000	SRR	Read, Write	Software Reset Register	Registers present in both RX Mailbox and RX Sequential/FIFO buffer mode.
0x0004	MSR	Read, Write	Mode Select Register	
0x0008	BRPR	Read, Write	Arbitration Phase Baud Rate Prescaler Register	
0x000C	BTR	Read, Write	Arbitration Phase Bit Register	
0x0010	ECR	Read	Error Counter Register	
0x0014	ESR	Read, Write 1 to clear	Error Status Register	
0x0018	SR	Read	Status Register	
0x001C	ISR	Read	Interrupt Status Register	
0x0020	IER	Read, Write	Interrupt Enable Register	
0x0024	ICR	Write	Interrupt Clear Register	
0x0028	TSR	Read, Write	Timestamp Register	
0x002C-0x0084	Reserved	–	Reserved space. Write has no effect. Read always returns 0.	
0x0088	DP_BRPR	Read, Write	Data Phase Baud Rate Prescaler Register	
0x008C	DP_BTR	Read, Write	Data Phase Bit Timing Register	
0x0090	TRR	Read, Write	TX Buffer Ready Request Register	
0x0094	IETRS	Read, Write	Interrupt Enable TX Buffer Ready Request Served/Cleared Register	
0x0098	TCR	Read, Write	TX Buffer Cancel Request Register	
0x009C	IETCS	Read, Write	Interrupt Enable TX Buffer Cancellation Request Served/Cleared Register	
0x00A0-0x00AC	Reserved	–	Reserved space. Write has no effect. Read always returns 0.	
0x00B0	RCS0	Read, Write	RX Buffer Control Status Register 0	
0x00B4	RCS1	Read, Write	See RX Buffer Control Status Register 0	
0x00B8	RCS2	Read, Write		
0x00BC	Reserved	–	Reserved space. Write has no effect. Read always returns 0	
0x00C0	IERBF0	Read, Write	Interrupt Enable RX Buffer Full Register 0	
0x00C4	IEBRF1	Read, Write	Interrupt Enable RX Buffer Full Register 1	
0x00C8-0x00DC	Reserved	–	Reserved space. Write has no effect. Read always returns 0.	

Table 2-4: CAN FD Core Register Space (Cont'd)

Start Address	31	30	29	28	27	26	25	24	23	22	21	20	19	18	17	16	15	14	13	12	11	10	9	8	7	6	5	4	3	2	1	0	Name (Reset Value)					
0x0024	RSVD															CRXMNF	CRXBOFLW	CRXBFL	CTXCRS	CTXRRS	CRXFWMFLL	CWKUP	CSLP	CBSOFF	CERROR	RSVD	CRXOFLW	RSVD	CRXOK	CBSFRD	CPEE	CTXOK	CARBLST	ICR (0x0)				
0x0028	TIMESTAMP_CNT[15:0]															RSVD										CTS	TSR (0x0)											
0x002C - 0x0084	RSVD																															Reserved						
0x0088	RSVD															TDC_EN	RSVD					TDCOFF [4:0]				DP_BRP [7:0]							DP_BRPR (0x0)					
0x008C	RSVD															DP_SJW [2:0]		RSVD										DP_TS2 [2:0]		RSVD					DP_TS1[3:0]			DP_BTR (0x0)
0x0090	RR31	RR30	RR29	RR28	RR27	RR26	RR25	RR24	RR23	RR22	RR21	RR20	RR19	RR18	RR17	RR16	RR15	RR14	RR13	RR12	RR11	RR10	RR9	RR8	RR7	RR6	RR5	RR4	RR3	RR2	RR1	RR0	TRR (0x0)					
0x0094	ERRS31	ERRS30	ERRS29	ERRS28	ERRS27	ERRS26	ERRS25	ERRS24	ERRS23	ERRS22	ERRS21	ERRS20	ERRS19	ERRS18	ERRS17	ERRS16	ERRS15	ERRS14	ERRS13	ERRS12	ERRS11	ERRS10	ERRS9	ERRS8	ERRS7	ERRS6	ERRS5	ERRS4	ERRS3	ERRS2	ERRS1	ERRS0	IETRS (0x0)					
0x0098	CR31	CR30	CR29	CR28	CR27	CR26	CR25	CR24	CR23	CR22	CR21	CR20	CR19	CR18	CR17	CR16	CR15	CR14	CR13	CR12	CR11	CR10	CR9	CR8	CR7	CR6	CR5	CR4	CR3	CR2	CR1	CR0	TCR (0x0)					
0x009C	ECRS31	ECRS30	ECRS29	ECRS28	ECRS27	ECRS26	ECRS25	ECRS24	ECRS23	ECRS22	ECRS21	ECRS20	ECRS19	ECRS18	ECRS17	ECRS16	ECRS15	ECRS14	ECRS13	ECRS12	ECRS11	ECRS10	ECRS9	ECRS8	ECRS7	ECRS6	ECRS5	ECRS4	ECRS3	ECRS2	ECRS1	ECRS0	IETCS (0x0)					
0x00A0	RSVD																															Reserved						
0x00A4	RSVD																															Reserved						
0x00A8	RSVD																															Reserved						
0x00AC	RSVD																															Reserved						
0x00B0	CSB15	CSB14	CSB13	CSB12	CSB11	CSB10	CSB9	CSB8	CSB7	CSB6	CSB5	CSB4	CSB3	CSB2	CSB1	CSB0	HCB15	HCB14	HCB13	HCB12	HCB11	HCB10	HCB9	HCB8	HCB7	HCB6	HCB5	HCB4	HCB3	HCB2	HCB1	HCB0	RCS0 (0x0)					
0x00B4	CSB31	CSB30	CSB29	CSB28	CSB27	CSB26	CSB25	CSB24	CSB23	CSB22	CSB21	CSB20	CSB19	CSB18	CSB17	CSB16	HCB31	HCB30	HCB29	HCB28	HCB27	HCB26	HCB25	HCB24	HCB23	HCB22	HCB21	HCB20	HCB19	HCB18	HCB17	HCB16	RCS1 (0x0)					
0x00B8	CSB47	CSB46	CSB45	CSB44	CSB43	CSB42	CSB41	CSB40	CSB39	CSB38	CSB37	CSB36	CSB35	CSB34	CSB33	CSB32	HCB47	HCB46	HCB45	HCB44	HCB43	HCB42	HCB41	HCB40	HCB39	HCB38	HCB37	HCB36	HCB35	HCB34	HCB33	HCB32	RCS2 (0x0)					
0x00BC	RSVD																															Reserved						
0x00C0	ERBF31	ERBF30	ERBF29	ERBF28	ERBF27	ERBF26	ERBF25	ERBF24	ERBF23	ERBF22	ERBF21	ERBF20	ERBF19	ERBF18	ERBF17	ERBF16	ERBF15	ERBF14	ERBF13	ERBF12	ERBF11	ERBF10	ERBF9	ERBF8	ERBF7	ERBF6	ERBF5	ERBF4	ERBF3	ERBF2	ERBF1	ERBF0	IERBF (0x0)					
0x00C4	RSVD															ERBF47	ERBF46	ERBF45	ERBF44	ERBF43	ERBF42	ERBF41	ERBF40	ERBF39	ERBF38	ERBF37	ERBF36	ERBF35	ERBF34	ERBF33	ERBF32	IERBF (0x0)						
0x00C8	RSVD																															Reserved						
0x00CC	RSVD																															Reserved						
0x00D0	RSVD																															Reserved						

Table 2-4: CAN FD Core Register Space (Cont'd)

Start Address	31	30	29	28	27	26	25	24	23	22	21	20	19	18	17	16	15	14	13	12	11	10	9	8	7	6	5	4	3	2	1	0	Name (Reset Value)
0x00D4	RSVD																Reserved																
0x00D8	RSVD																Reserved																
0x00DC	RSVD																Reserved																
0x00E0	UAF31	UAF30	UAF29	UAF28	UAF27	UAF26	UAF25	UAF24	UAF23	UAF22	UAF21	UAF20	UAF19	UAF18	UAF17	UAF16	UAF15	UAF14	UAF13	UAF12	UAF11	UAF10	UAF9	UAF8	UAF7	UAF6	UAF5	UAF4	UAF3	UAF2	UAF1	UAF0	AFR (0x0)
0x00E4	RSVD																Reserved																
0x00E8	RSVD																FL[5:0]				IRI	RSVD	RI[4:0]				FSR (0x0)						
0x00EC	RSVD																RXFWM[4:0]				WMR (0xF)												
0x00F0	RSVD																Reserved																
0x00F4	RSVD																Reserved																
0x00F8	RSVD																Reserved																
0x00FC	RSVD																Reserved																

Software Reset Register (Address Offset + 0x0000)

Writing to the Software Reset Register (SRR) places the core in the Configuration mode. In Configuration mode, the core drives recessive on the bus line and does not transmit or receive messages. During power-up, CEN and SRST bits are 0 and the CONFIG bit in the Status Register (SR) is 1. The Transfer Layer Configuration Registers can be changed only when the CEN bit in the SRR is 0. Mode Select Register bits (except SLEEP and SBR) can be changed only when CEN bit is 0.

If the CEN bit is changed during core operation, Xilinx recommends resetting the core so that operation starts over.

Table 2-5: Software Reset Register

Bits	Name	Access	Default Value	Description
31:2	Reserved	–	0	Reserved

Table 2-5: Software Reset Register (Cont'd)

Bits	Name	Access	Default Value	Description
1	CEN	R/W	0	CAN Enable The Enable bit for the core. 1 = core is in Loopback, Sleep, Snoop, or Normal mode depending on the LBACK, SLEEP, and SNOOP bits in the MSR 0 = core is in the Configuration mode Note: If the CEN bit is cleared during core operation, Xilinx recommends resetting the core so that operations starts over.
0	SRST	WO	0	Reset The software reset bit for the core. 1 = core is reset If a 1 is written to this bit, all core configuration registers (including the SRR) are reset. Reads to this bit always returns 0. Note: After performing soft or hard reset, wait for 16 AXI4 clock cycles before initiating next AXI4-Lite transaction.

Mode Select Register (Address Offset + 0x0004)

Writing to the Mode Select Register (MSR) enables the core to enter Snoop, Sleep, Loopback, or Normal modes. In Normal mode, the core participates in normal bus communication. If the SLEEP bit is set to 1, the core enters Sleep mode. If the LBACK bit is set to 1, the core enters Loopback mode. If the SNOOP mode is set to 1, the core enters Snoop mode and does not participate in bus communication but only receives messages.



IMPORTANT: LBACK, SLEEP, and SNOOP bits should never be set to 1 at the same time. At any given point, the core can either be in Loopback, Sleep, or Snoop mode. When all three bits are set to 0, the core can enter Normal mode subject to other conditions.

Table 2-6: Mode Select Register

Bits	Name	Access	Default Value	Description
31:8	Reserved	–	0	Reserved
7	ABR	R/W	0	Auto Bus-off Recovery Request 1 = auto bus-off recovery request 0 = no such request If this bit is set, node does auto bus-off recovery irrespective of SBR bit setting in this register. This bit can be written only when CEN bit in SRR is 0.

Table 2-6: Mode Select Register (Cont'd)

Bits	Name	Access	Default Value	Description
6	SBR	R/W	0	Start Bus-off Recovery Request 1 = start bus-off recovery request 0 = no such request Node stays in bus-off state until SBR bit is set to 1 (provided ABR bit in this register is not set). This bit can be written only when node is in bus-off state. This bit auto clears after node completes the bus-off recovery or leave bus-off state due to hard/soft reset or CEN deassertion.
5	DPEE	R/W	0	Disable Protocol Exception Event Detection/Generation 1 = disable Protocol Exception Event detection/generation by CAN FD receiver if "res" bit in CAN FD frame is detected as 1. In this case, CAN FD receiver generates Form error. 0 = PEE detection/generation is enabled. If CAN FD receiver detects "res" bit as 1, it goes to Bus Integration state (PEE_config) and waits for Bus Idle condition (11 consecutive nominal recessive bits). Error counter remains unchanged. This bit can be written only when CEN bit in SRR is 0.
4	DAR	R/W	0	Disable Auto retransmission 1 = disable auto retransmission on CAN bus to provide single shot transmission 0 = auto retransmission enabled This bit can be written only when CEN bit in SRR is 0.
3	BRSD	R/W	0	CAN FD Bit Rate Switch Disable Override 1 = makes core transmit CAN FD frames only in nominal bit rate (by overriding TX Message element BRS bit setting) 0 = makes core transmit CAN FD frames as per BRS bit in TX Message element This bit can be written only when CEN bit in SRR is 0.
2	SNOOP	R/W	0	SNOOP Mode Select/Request The Snoop mode request bit. 1 = request core to be in Snoop mode 0 = no such request This bit can be written only when CEN bit in SRR is 0. Make sure that Snoop mode is programmed only after system reset or software reset. For the core to enter Snoop mode, LBACK and SLEEP bits in this register should be set to 0. The features of Snoop mode are: <ul style="list-style-type: none"> • Core transmits recessive bits on to CAN bus • Receives messages that are transmitted by other nodes but does not ACK. Stores received messages in RX block RAM based on programmed ID filtering. • Error counters are disabled and cleared to 0. Reads to error counter register returns zero.

Table 2-6: Mode Select Register (Cont'd)

Bits	Name	Access	Default Value	Description
1	LBACK	R/W	0	Loopback Mode Select/Request The Loopback mode request bit. 1 = request core to be in Loopback mode 0 = no such request This bit can be written only when CEN bit in SRR is 0. For the core to enter Loopback mode, SLEEP and SNOOP bits in this register should be set to 0.
0	SLEEP	R/W	0	Sleep Mode Select/Request The Sleep mode request bit. 1 = request core to be in Sleep mode 0 = no such request This bit is cleared when the core wakes up from the Sleep mode. For core to enter Sleep mode, LBACK and SNOOP bits in this register should be set to 0.

Arbitration Phase (Nominal) Baud Rate Prescaler Register (Address Offset + 0x0008)

The CAN clock for the core is divided by (programmed prescaler value + 1) to generate the quantum clock needed for sampling and synchronization.

Table 2-7: Arbitration Phase Baud Rate Prescaler Register

Bits	Name	Access	Default Value	Description
31:8	Reserved	–	0	Reserved
7:0	BRP[7:0]	R/W	0	Arbitration Phase (Nominal) Baud Rate Prescaler These bits indicate the prescaler value. The actual value is one more than the value written to the register. These bits can be written only when CEN bit in SRR is 0.

Arbitration Phase (Nominal) Bit Timing Register (Address Offset + 0x000C)

Table 2-8: Arbitration Phase Bit Register

Bits	Name	Access	Default Value	Description
31:20	Reserved	–	0	Reserved
19:16	SJW[3:0]	R/W	0	Synchronization Jump Width Indicates the Synchronization Jump Width as specified in the standard for Nominal Bit Timing. The actual value is one more than the value written to the register. These bits can be written only when CEN bit in SRR is 0.

Table 2-8: Arbitration Phase Bit Register (Cont'd)

Bits	Name	Access	Default Value	Description
15:12	Reserved	–	0	Reserved
11:8	TS2[3:0]	R/W	0	Time Segment 2 Indicates the Phase Segment 2 as specified in the standard for Nominal Bit Timing. The actual value is one more than the value written to the register. These bits can be written only when CEN bit in SRR is 0.
7:6	Reserved	–	0	Reserved
5:0	TS1[5:0]	R/W	0	Time Segment 1 Indicates the Sum of Propagation Segment and Phase Segment 1 as specified in the standard for Nominal Bit Timing. The actual value is one more than the value written to the register. These bits can be written only when CEN bit in SRR is 0.

Error Count Register (Address Offset + 0x0010)

The ECR is a read-only register. Writes to the ECR have no effect. The value of the error counters in the register reflect the values of the transmit and receive error counters in the core.

The following conditions reset the Transmit and Receive Error counters:

- When 1 is written to the SRST bit in the SRR.
- When 0 is written to the CEN bit in the SRR.
- When core enters Bus-Off state.
- During Bus-Off recovery until the core enters Error Active state (after 128 occurrences of 11 consecutive recessive bits).



IMPORTANT: When in Bus-Off recovery, the Receive Error counter is advanced/incremented by 1 when a sequence of 11 consecutive nominal recessive bits is seen.

Note: In SNOOP mode, error counters are disabled and cleared to 0. Reads to Error Counter Register returns 0.

Table 2-9: Error Counter Register

Bits	Name	Access	Default Value	Description
31:16	Reserved	–	0	Reserved
15:8	REC[7:0]	R	0	Receive Error Count Indicates the value of Receive Error Counter.
7:0	TEC[7:0]	R	0	Transmit Error Count Indicates the value of Transmit Error Counter.

Error Status Register (Address Offset + 0x0014)

The Error Status Register (ESR) indicates the type of error that has occurred on the bus. If more than one error occurs, all relevant error flag bits are set in this register. The ESR is a write 1 to clear register. Writes to this register do not set any bits, but clear the bits that are set.

Table 2-10: Error Status Register

Bits	Name	Access	Default Value	Description
31:12	Reserved	–	0	Reserved
11	F_BERR	Write 1 to Clear	0	Bit Error in CAN FD Data Phase ⁽¹⁾ 1 = indicates bit error occurred in Data Phase (Fast) data rate 0 = indicates bit error has not occurred in Data Phase (Fast) data rate after the last write to this bit If this bit is set, writing a 1 clears it.
10	F_STER		0	Stuff Error in CAN FD Data Phase 1 = indicates stuff error occurred in Data Phase (Fast) data rate 0 = indicates stuff error has not occurred in Data Phase (Fast) data rate after the last write to this bit. If this bit is set, writing a 1 clears it.
9	F_FMER		0	Form Error in CAN FD Data Phase 1 = indicates form error occurred in Data Phase (Fast) data rate 0 = indicates form error has not occurred in Data Phase (Fast) data rate after the last write to this bit. If this bit is set, writing a 1 clears it.
8	F_CRCER		0	CRC Error in CAN FD Data Phase 1 = indicates CRC error occurred in Data Phase (Fast) data rate 0 = indicates CRC error has not occurred in Data Phase (Fast) data rate after the last write to this bit. If this bit is set, writing a 1 clears it.
7:5	Reserved	–	0	Reserved

Table 2-10: Error Status Register (Cont'd)

Bits	Name	Access	Default Value	Description
4	ACKER	Write 1 to Clear	0	ACK Error Indicates an acknowledgement error. 1 = indicates an acknowledgement error has occurred 0 = indicates an acknowledgement error has not occurred on the bus after the last write to this bit If this bit is set, writing a 1 clears it.
3	BERR		0	Bit Error Indicates the received bit is not the same as the transmitted bit during bus communication. 1 = indicates a bit error has occurred 0 = indicates a bit error has not occurred on the bus after the last write to this bit If this bit is set, writing a 1 clears it.
2	STER		0	Stuff Error Indicates an error if there is a stuffing violation. 1 = indicates a stuff error has occurred 0 = indicates a stuff error has not occurred on the bus after the last write to this bit If this bit is set, writing a 1 clears it.
1	FMER		0	Form Error Indicates an error in one of the fixed form fields in the message frame. 1 = indicates a form error has occurred 0 = indicates a form error has not occurred on the bus after the last write to this bit If this bit is set, writing a 1 clears it.
0	CRCER		0	CRC Error ⁽³⁾ Indicates a CRC error has occurred. 1 = indicates a CRC error has occurred 0 = indicates a CRC error has not occurred on the bus after the last write to this bit If this bit is set, writing a 1 clears it.

Notes:

1. In transmitter delay compensation phase, any error is reported as fast bit error (by the transmitter).
2. Fixed stuff bit errors are reported as form error.
3. In case of a CRC Error and a CRC delimiter corruption, only the FMER bit is set.

Status Register (Address Offset + 0x0018)

Table 2-11: Status Register

Bits	Name	Access	Default Value	Description
31:13	Reserved	–	0	Reserved
22:16	TDCV[6:0]	R	0	Transmitter Delay Compensation Value This field gives the position of secondary sample point (defined as sum of TDCOFF and measured delay for FDF to res bit falling edge from TX to RX in CAN FD frame) in CAN clocks. This field is for status purpose.
15:13	Reserved	–	0	Reserved
12	SNOOP	R	0	Snoop Mode 1 = indicates controller is in Snoop mode provided Normal mode bit is also set in this register.
11	NISO	R	As per default value of core generation configuration parameter C_IS_NISO	Non-ISO core 1 = core is NISO (generated with C_IS_NISO = 1) 0 = core is ISO (generated with C_IS_NISO = 0)
10	BSFR_CONFIG	R	0	Bus-off Recovery Mode Indicator 1 = indicates the core is in Bus-off Recovery mode (Bus Integration State) When this bit is set then BBSY and NORMAL status bits in this register does not mean anything.
9	PEE_CONFIG	R	0	PEE Mode Indicator 1 = indicates the core is in PEE mode (Bus Integration State) When this bit is set then BBSY and NORMAL status bits in this register does not mean anything.
8:7	ESTAT[1:0]	R	0	Error Status Indicates the error status of the core. 00 = indicates Configuration mode (CONFIG = 1). Error state is undefined. 01 = indicates error active state 11 = indicates error passive state 10 = indicates bus-off state
6	ERRWRN	R	0	Error Warning Indicates that either the Transmit Error counter or the Receive Error counter has exceeded a value of 96. 1 = one or more error counters have a value 96 0 = neither of the error counters has a value 96

Table 2-11: Status Register (Cont'd)

Bits	Name	Access	Default Value	Description
5	BBSY	R	0	Indicates the CAN bus status. 1 = indicates that the core is either receiving a message or transmitting a message 0 = indicates that the core is either in Configuration mode or the bus is idle
4	BIDLE	R	0	Bus Idle Indicates the CAN bus status. 1 = indicates no bus communication is taking place 0 = indicates the core is either in Configuration mode or the bus is busy
3	NORMAL	R	0	Normal Mode Indicates that the core is in Normal mode. 1 = indicates that the core is in Normal mode 0 = indicates that the core is not in Normal mode
2	SLEEP	R	0	Sleep Mode Indicates that the core is in Sleep mode. 1 = indicates that the core is in Sleep mode 0 = indicates that the core is not in Sleep mode
1	LBACK	R	0	Loopback Mode Indicates that the core is in Loopback mode. 1 = indicates that the core is in Loopback mode 0 = indicates that the core is not in Loopback mode
0	CONFIG	R	1	Configuration Mode Indicator. Indicates that the core is in Configuration mode. 1 = indicates that the core is in Configuration mode 0 = indicates that the core is not in Configuration mode

Interrupt Status Register (Address Offset + 0x001C)

Interrupt status bits in the ISR can be cleared by writing to the Interrupt Clear Register. For all bits in the ISR, a set condition takes priority over the clear condition and the bit continues to remain 1.

Table 2-12: Interrupt Status Register

Bits	Name	Access	Default Value	Description
31:30	Reserved	–	0	Reserved
29:24	RXBOFLW_BI	R	0	RX Buffer Index for Overflow Interrupt (Mailbox Mode) Gives RX Buffer index for which overflow event is generated. This field is automatically cleared to default if RXBOFLW bit is cleared in this register. In case more than one overflow event happens (before host could clear RXBOFLW), RXBOFLW_BI shows overflow index for the last event. This field has meaning only if Overflow interrupt RXBOFLW bit is set. This field is also cleared at hard/soft reset or when a 0 is written to the CEN bit in the SRR.
23:18	RXLRM_BI	R	0	RX Buffer Index for Last Received Message (Mailbox Mode) Gives RX Buffer index for last received message. This field has meaning only if RXOK bit is set in this register. This field is cleared at hard/soft reset or when a 0 is written to the CEN bit in the SRR.
17	RXMNF	R	0	RX Match Not Finished 1 = indicates that Match process did not finish until the start of sixth bit in EOF field and frame was discarded This bit can be cleared by writing to the respective bit in ICR.
16	RXBOFLW	R	0	RX Buffer Overflow Interrupt (Mailbox Mode) 1 = indicates that a message has been lost due to buffer overflow condition. Buffer index is captured in RXBOFLW_BI field. This bit can be cleared by writing to the respective bit in ICR.
15	RXRBF	R	0	RX Buffer Full Interrupt (Mailbox Mode) 1 = indicates that a receive buffer has received a message and become full This bit can be cleared by writing to the respective bit in ICR.
14	TXCRS	R	0	TX Cancellation Request Served Interrupt 1 = indicates that a cancellation request was cleared This bit can be cleared by writing to the respective bit in ICR.
13	TXRRS	R	0	TX Buffer Ready Request Served Interrupt 1 = indicates that a Buffer Ready request was cleared This bit can be cleared by writing to the respective bit in ICR.

Table 2-12: Interrupt Status Register (Cont'd)

Bits	Name	Access	Default Value	Description
12	RXFWMFLL	R	0	RX FIFO Watermark Full Interrupt (Sequential/FIFO Mode) 1 = indicates that RX FIFO is full based on watermark programming The interrupt continues to assert as long as the RX FIFO Fill Level is above RX FIFO Full watermark. This bit can be cleared by writing to the respective bit in ICR.
11	WKUP	R	0	Wake-Up Interrupt 1 = indicates that the core entered Normal mode from Sleep mode This bit can be cleared by writing to the respective bit in ICR. This bit is also cleared when a 0 is written to the CEN bit in the SRR.
10	SLP	R	0	Sleep Interrupt 1 = indicates that the CAN core entered Sleep mode This bit can be cleared by writing to the respective bit in ICR. This bit is also cleared when a 0 is written to the CEN bit in the SRR.
9	BSOFF	R	0	Bus-Off Interrupt 1 = indicates that the CAN core entered the Bus-Off state This bit can be cleared by writing to the respective bit in ICR. This bit is also cleared when a 0 is written to the CEN bit in the SRR.
8	ERROR	R	0	Error Interrupt 1 = indicates that an error occurred during message transmission or reception This bit can be cleared by writing to the respective bit in ICR. This bit is also cleared when a 0 is written to the CEN bit in the SRR.
7	Reserved	–	0	Reserved
6	RXFOFLW	R	0	RX FIFO Overflow Interrupt (Sequential/FIFO Mode) 1 = indicates that a message has been lost. This condition occurs when a new message ID has been received and the Receive FIFO is full. This bit can be cleared by writing to the respective bit in ICR. This bit is also cleared when a 0 is written to the CEN bit in the SRR.
5	Reserved	–	0	Reserved
4	RXOK(1)	R	0	New Message Received Interrupt 1 = indicates that a message was received successfully and stored into the RX FIFO or RX Mailbox buffer This bit can be cleared by writing to the respective bit in ICR. This bit is also cleared when a 0 is written to the CEN bit in the SRR.
3	BSFRD	R	0	Bus-Off Recovery Done Interrupt 1 = indicates that the core recovered from Bus-Off state This bit can be cleared by writing to the respective bit in ICR. This bit is also cleared when a 0 is written to the CEN bit in the SRR.

Table 2-12: Interrupt Status Register (Cont'd)

Bits	Name	Access	Default Value	Description
2	PEE	R	0	Protocol Exception Event Interrupt 1 = indicates that the core (CAN FD receiver) has detected PEE event This bit can be cleared by writing to the respective bit in ICR. This bit is also cleared when a 0 is written to the CEN bit in the SRR.
1	TXOK(1)	R	0	Transmission Successful Interrupt 1 = indicates that a message was transmitted successfully This bit can be cleared by writing to the respective bit in ICR. This bit is also cleared when a 0 is written to the CEN bit in the SRR.
0	ARBLST	R	0	Arbitration Lost Interrupt 1 = indicates that arbitration was lost during message transmission This bit can be cleared by writing to the respective bit in ICR. This bit is also cleared when a 0 is written to the CEN bit in the SRR.

Notes:

1. In Loopback mode, both TXOK and RXOK bits are set. The RXOK bit is set before the TXOK bit.

Interrupt Enable Register (Address Offset + 0x0020)

The Interrupt Enable Register (IER) bits are used to enable interrupt generation when respective event happens.

Table 2-13: Interrupt Enable Register

Bits	Name	Access	Default Value	Description
31:17	Reserved	–	0	Reserved
17	ERXMNF	R/W	0	RX Match Not Finished interrupt Enable 1 = enables interrupt generation if RXMNF bit in ISR is set 0 = disables interrupt generation if RXMNF bit in ISR is set
16	ERXBOFLW	R/W	0	RX Buffer Overflow interrupt Enable (Mailbox Mode) 1 = enables interrupt generation if RXBOFLW bit in ISR is set 0 = disables interrupt generation if RXBOFLW bit in ISR is set
15	ERXRBF	R/W	0	RX Buffer Bull Interrupt Enable (Mailbox Mode) 1 = enables interrupt generation if RXRBF bit in ISR is set 0 = disables interrupt generation if RXRBF bit in ISR is set
14	ETXCRS	R/W	0	TX Cancellation Request Served Interrupt Enable 1 = enables interrupt generation if TXCRS bit in ISR is set 0 = disables interrupt generation if TXCRS bit in ISR is set
13	ETXRRS	R/W	0	TX Buffer Ready Request Served Interrupt Enable 1 = enables interrupt generation if TXRRS bit in ISR is set 0 = disables interrupt generation if TXRRS bit in ISR is set

Table 2-13: Interrupt Enable Register (Cont'd)

Bits	Name	Access	Default Value	Description
12	ERXFWMFL	R/W	0	RX FIFO Watermark Full Interrupt Enable (Sequential/FIFO Mode) 1 = enables interrupt generation if RXFWMFL bit in ISR is set 0 = disables interrupt generation if RXFWMFL bit in ISR is set
11	EWKUP	R/W	0	Wake-Up Interrupt Enable 1 = enables interrupt generation if WKUP bit in ISR is set 0 = disables interrupt generation if WKUP bit in ISR is set
10	ESLP	R/W	0	Sleep Interrupt Enable 1 = enables interrupt generation if SLP bit in ISR is set 0 = disables interrupt generation if SLP bit in ISR is set
9	EBSOFF	R/W	0	Bus-Off Interrupt Enable 1 = enables interrupt generation if BSOFF bit in ISR is set 0 = disables interrupt generation if BSOFF bit in ISR is set
8	EERROR	R/W	0	Error Interrupt Enable 1 = enables interrupt generation if ERROR bit in ISR is set 0 = disables interrupt generation if ERROR bit in ISR is set
7	Reserved	–	0	Reserved
6	ERFXOFLW	R/W	0	RX FIFO Overflow Interrupt Enable (Sequential/FIFO Mode) 1 = enables interrupt generation if RFXOFLW bit in ISR is set 0 = disables interrupt generation if RFXOFLW bit in ISR is set
5	Reserved	–	0	Reserved
4	ERXOK	R/W	0	New Message Received Interrupt Enable 1 = enables interrupt generation if RXOK bit in ISR is set 0 = disables interrupt generation if RXOK bit in ISR is set
3	EBSFRD	R/W	0	Bus-Off Recovery Done Interrupt Enable 1 = enables interrupt generation if BSFRD bit in ISR is set 0 = disables interrupt generation if BSFRD bit in ISR is set
2	EPEE	R/W	0	Protocol Exception Event Interrupt Enable 1 = enables interrupt generation if PEE bit in ISR is set 0 = disables interrupt generation if PEE bit in ISR is set
1	ETXOK	R/W	0	Transmission Successful Interrupt Enable 1 = enables interrupt generation if TXOK bit in ISR is set 0 = disables interrupt generation if TXOK bit in ISR is set
0	EARBLOST	R/W	0	Arbitration Lost Interrupt Enable 1 = enables interrupt generation if ARBLST bit in ISR is set 0 = disables interrupt generation if ARBLST bit in ISR is set

Interrupt Clear Register (Address Offset + 0x0024)

The Interrupt Clear Register (ICR) is used to clear interrupt status bits in ISR register.

Table 2-14: Interrupt Clear Register

Bits	Name	Access	Default Value	Description
31:18	Reserved	–	0	Reserved
17	CRXMNF	W	0	1 = clears RX Match Not Finished interrupt status bit Writing a 1 to this bit clears the respective bit in the ISR. Reads always 0.
16	CRXBOFLW	W	0	1 = clears RX Buffer Overflow interrupt status bit (Mailbox Mode) Writing a 1 to this bit clears the respective bit in the ISR. Reads always 0.
15	CRXRBF	W	0	1 = clears RX Buffer Bull Interrupt status bit (Mailbox Mode) Writing a 1 to this bit clears the respective bit in the ISR. Reads always 0.
14	CTXCRS	W	0	1 = clears TX Cancellation Request Served Interrupt status bit Writing a 1 to this bit clears the respective bit in the ISR. Reads always 0.
13	CTXRRS	W	0	1 = clears TX Buffer Ready Request Served Interrupt status bit Writing a 1 to this bit clears the respective bit in the ISR. Reads always 0.
12	CRXFWMFL	W	0	1 = clears RX FIFO Watermark Full interrupt status bit (Sequential/FIFO Mode) Writing a 1 to this bit clears the respective bit in the ISR. Reads always 0.
11	CWKUP	W	0	1 = clears Wake-Up interrupt status bit Writing a 1 to this bit clears the respective bit in the ISR. Reads always 0.
10	CSLP	W	0	1 = clears Sleep interrupt status bit Writing a 1 to this bit clears the respective bit in the ISR. Reads always 0.
9	CBSOFF	W	0	1 = clears Bus-Off interrupt status bit Writing a 1 to this bit clears the respective bit in the ISR. Reads always 0.
8	CERROR	W	0	1 = clears Error interrupt status bit Writing a 1 to this bit clears the respective bit in the ISR. Reads always 0.
7	Reserved	–	0	Reserved
6	CRFXOFLW	W	0	1 = clears RX FIFO Overflow interrupt status bit (Sequential/FIFO Mode) Writing a 1 to this bit clears the respective bit in the ISR. Reads always 0.
5	Reserved	–	0	Reserved
4	CRXOK	W	0	1 = clears New Message Received interrupt status bit Writing a 1 to this bit clears the respective bit in the ISR. Reads always 0.
3	CBSFRD	W	0	1 = clears Bus-Off Recovery Done interrupt status bit Writing a 1 to this bit clears the respective bit in the ISR. Reads always 0.
2	CPEE	W	0	1 = clears Protocol Exception Event interrupt status bit Writing a 1 to this bit clears the respective bit in the ISR. Reads always 0.
1	CTXOK	W	0	1 = clears Transmission Successful interrupt status bit
0	CARBLOST	W	0	1 = clears Arbitration Lost interrupt status bit Writing a 1 to this bit clears the respective bit in the ISR. Reads always 0.

Timestamp Register (Address Offset + 0x0028)

A 16-bit free running counter increments once every sixteen CAN clock cycles. Timestamp is captured after SOF bit, that is when ID field starts on CAN bus. It is stamped in DLC field of the message element when frame is successfully received or transmitted.

Timestamp counter can be reset by software. There is no register bit to indicate counter rollover.

Table 2-15: Timestamp Register

Bits	Name	Access	Default Value	Description
31:16	TIMESTAMP_CNT[15:0]	R	0	Timestamp Counter Value This Status field gives running value of the timestamp counter. This field is cleared when a 0 is written to the CEN bit in the SRR.
15:1	Reserved	–	0	Reserved
0	CTS	W	0	Clear Timestamp Counter Internal free running counter is cleared to 0 when CTS = 1. This bit only needs to be written once with a 1 to clear the counter. The bit always reads as 0.

Data Phase Baud Rate Prescaler Register (Address Offset + 0x0088)

Table 2-16: Data Phase Baud Rate Prescaler Register

Bits	Name	Access	Default Value	Description
31:17	Reserved	–	0	Reserved
16	TDC	R/W	0	Transmitter Delay Compensation (TDC) Enable 1 = enables TDC function as specified in the CAN FD standard 0 = TDC is disabled This bit can be written only when CEN bit in SRR is 0.
15:13	Reserved	–	0	Reserved

Table 2-16: Data Phase Baud Rate Prescaler Register (Cont'd)

Bits	Name	Access	Default Value	Description
12:8	TDCOFF[4:0]	R/W	0	Transmitter Delay Compensation Offset This offset is specified in CAN clock cycles and is added to the measured transmitter delay to place the Secondary Sample Point (SSP) at appropriate position (for example, set this to half data bit time in terms of CAN clock cycles to place SSP in the middle of the data bit). This bit can be written only when CEN bit in SRR is 0.
7:0	DP_BRP[7:0]	R/W	0	Data Phase Baud Rate Prescaler These bits indicate the prescaler value for Data Bit Timing as specified in the CAN FD standard. The actual value is one more than the value written to the register. This bit can be written only when CEN bit in SRR is 0.



IMPORTANT: The following boundary conditions are imposed on sum of measured loop delay and TDC Offset:

$$\text{Measured loop delay} + \text{TDCOFF} < 3 \text{ bit times in the data phase}$$

Ensure that the boundary condition is respected while programming Offset and data phase bit rate. In case this sum exceeds 127 CAN clock periods, the maximum value of 127 CAN clock periods is used by core for transmitter delay compensation.

Note: If loop delay is < 1 data phase bit time, then TDC/SSP method is not needed.

Data Phase Bit Timing Register (Address Offset + 0x008C)

Table 2-17: Data Phase Bit Timing Register

Bits	Name	Access	Default Value	Description
31:19	Reserved	–	0	Reserved
18:16	DP_SJW[2:0]	R/W	0	Data Phase Synchronization Jump Width Indicates the Synchronization Jump Width as specified in the CAN FD standard for Data Bit Timing. The actual value is one more than the value written to the register. This bit can be written only when CEN bit in SRR is 0.
15:11	Reserved	–	0	Reserved
10:8	DP_TS2[2:0]	R/W	0	Data Phase Time Segment 2 Indicates the Phase Segment 2 as specified in the CAN FD standard for Data Bit Timing. The actual value is one more than the value written to the register. This bit can be written only when CEN bit in SRR is 0.

Table 2-17: Data Phase Bit Timing Register (Cont'd)

Bits	Name	Access	Default Value	Description
7:4	Reserved	–	0	Reserved
3:0	DP_TS1[3:0]	R/W	0	Data Phase Time Segment 1 Indicates the Sum of Propagation Segment and Phase Segment 1 as specified in the CAN FD standard for Data Bit Timing. The actual value is one more than the value written to the register. This bit can be written only when CEN bit in SRR is 0.

TX Buffer Ready Request Register (Address Offset + 0x0090)

Table 2-18: TX Buffer Ready Request Register

Bits	Name	Access	Default Value	Description
31:8	RR31/RR8	R/W, Host writes 1 and core clears	0	Note: These bits exist based on the number of TX buffers.
7	RR7	R/W, Host writes 1 and core clears	0	TX Buffer_0 Ready Request This is control bit corresponds to TB0 message in TX block RAM. Host writes 1 to indicate buffer is ready for transmission. Core clears this bit when: <ul style="list-style-type: none"> • Buffer transmission is completed on CAN Bus • If core is in DAR mode, then after one transmission attempt on CAN bus [either successful or unsuccessful (that is, arbitration lost or error)] • If message is cancelled due to cancellation request • Any combination of the above three. Host writes to this bit are ignored when this bit is 1. Note: This register remains in reset when SNOOP mode is enabled.
6	RR6			
5	RR5			
4	RR4			
3	RR3			
2	RR2			
1	RR1			
0	RR0			

Notes:

1. Host can set transmission requests for multiple buffers in one write to this register.
2. Write with any value to this register triggers buffer scheduler to redo the scheduling round to find winning buffer (exceptions: when Transfer Layer is in 3-bit Intermission space without locked buffer or if previous scheduling round is already running. In those situation, buffer scheduler trigger is postponed till the event is over).



IMPORTANT: Unnecessary writes to this register might reduce core throughput on the CAN bus. Ensure this register is written only when it is required.

Interrupt Enable TX Buffer Ready Request Served/Cleared (Address Offset + 0x0094)

Table 2-19: Interrupt Enable TX Buffer Ready Request Served/Cleared Register

Bits	Name	Access	Default Value	Description
31:8	ERRS31/ERRS8	R/W	0	Note: These bits exist based on the number of TX buffers.
7	ERRS7	R/W	0	TX Buffer_0 Ready Req Served/Cleared Interrupt Enable 1 = enables setting TXRRS bit in ISR when RR0 bit in TRR register clears 0 = TXRRS bit in ISR does not set if RR0 bit in TRR register clears
6	ERRS6			
5	ERRS5			
4	ERRS4			
3	ERRS3			
2	ERRS2			
1	ERRS1			
0	ERRS0			

TX Buffer Cancel Request (Address Offset + 0x0098)

Table 2-20: TX Buffer Cancel Request Register

Bits	Name	Access	Default Value	Description
31:8	CR31/CR8	R/W, Host writes 1 and core clears	0	Note: These bits exist based on the number of TX buffers.
7	CR7	R/W, Host writes 1 and core clears	0	TX Buffer_0 Cancel Request This is cancellation request bit corresponds to RR0 bit in TRR register. Host writes 1 to indicate cancellation request of corresponding buffer ready request (that is, RR0 bit in TRR register). Core clears this bit when cancellation request is completed. Host writes to this bit are ignored if CR0 is 1 or RR0 bit of TRR register is 0. If the buffer is already locked for transmission by Transfer Layer then cancellation is performed at the end of transmission cycle irrespective whether frame transmitted successfully or failed. That is, if message is failed due to arbitration loss or any error, then the message is cancelled (no retransmission attempt) and cancellation request is cleared. Along with RR0 bit this is cleared. If message is transmitted successfully, then RR0 bit clears and cancellation request is cleared anyway. Note: If internal buffer scheduling round is in progress, then cancellation consideration is postponed till it is over.
6	CR6			
5	CR5			
4	CR4			
3	CR3			
2	CR2			
1	CR1			
0	CR0			

Notes:

- Host can set cancellation requests for multiple buffers in one write to this register.



IMPORTANT: *Performing unnecessary cancellation of TX buffers might reduce core throughput on the CAN bus. Ensure that buffer cancellation is requested only when it is required.*

Interrupt Enable TX Buffer Cancellation Served/Cleared (Address Offset + 0x009C)

Table 2-21: Interrupt Enable TX Buffer Cancellation Request Served/Cleared Register

Bits	Name	Access	Default Value	Description
31:8	ECRS31/ECRS8	R/W	0	Note: These bits exist based on the number of TX buffers.
7	ECRS7	R/W	0	TX Buffer_0 Transmission Served/Cleared Interrupt Enable 1 = enables setting TXCRS bit in ISR when CR0 bit in TCS register clears 0 = TXCRS bit in ISR does not set if CR0 bit in TCS register clears
6	ECRS6			
5	ECRS5			
4	ECRS4			
3	ECRS3			
2	ECRS2			
1	ECRS1			
0	ECRS0			

RX Buffer Control Status Register 0 (Address Offset + 0x00B0) (0 to 15 RX Mailbox Buffers)

Table 2-22: RX Buffer Control Status Register 0

Bits	Name	Access	Default Value	Description	Combined Meaning of CSBx:HCBx
31	CSB15	Write 1 to Clear	0	Core Status bit for RX Buffer0 1 = indicates buffer is full, that is the core has received message in this buffer 0 = buffer is not full Host clears this bit by writing 1. This description is valid for CSB0. For CSB1 to CSB15, description similar to CSB0.	CSBx:HCBx = "00" -> Buffer is inactive (it is not considered in ID match process). CSBx:HCBx = "01" -> Buffer is active (it can receive message if receive ID matches with buffer ID). CSBx:HCBx = "11" -> Buffer is full (it has received message) CSBx:HCBx = "10" -> Buffer is invalid. This condition can happen when core updates CS0 bit to indicate Buffer is full and at the same time Host tries to make Buffer Inactive.
:	:				
18	CSB2				
17	CSB1				
16	CSB0	R/W	0	Host Control bit for RX Buffer0 1 = indicates buffer is active, that is ID Field of RB0 buffer and corresponding Mask register are programmed by Host and this buffer can receive message. 0 = buffer is inactive Host might change this bit anytime. This description is valid for HCB0. For HCB1 to HCB15, description similar to HCB0.	Note: When changing status of a Buffer from active to inactive, Host should verify the update by read back (to check if buffer status has changed to Invalid due to core indicating buffer full at the same time). Note: Full(11) -> Active(01) or Inactive(00) can or cannot be taken into account in current match process if running. Note: Inactive(00) -> Active(01) can or cannot be taken into account in current match process if running. Note: Invalid buffers do not participate in ID match process.
15	HCB15				
:	:				
2	HCB2				
1	HCB1				
0	HCB0				

Notes:

1. This register space is reserved for RX sequential/FIFO buffer mode. Write has no effect and read returns 0.

RX Buffer Control Status Register 1 (Address Offset + 0x00B4) (16 to 31 RX Mailbox Buffers)

Description similar to [Table 2-22, page 33](#).

Note: This register space is reserved for RX Sequential/FIFO mode or when number of RX mailbox buffers are 16. When reserved, write has no effect and read returns 0.

RX Buffer Control Status Register 2 (Address Offset + 0x00B8) (32 to 48 RX Mailbox Buffers)

Description similar as [Table 2-22, page 33](#).

Note: This register space is reserved for RX Sequential/FIFO mode or when number of RX mailbox buffers are 16. When reserved, write has no effect and read returns 0.

Interrupt Enable RX Buffer Full Register 0 (Address Offset + 0x00C0)

Table 2-23: Interrupt Enable RX Buffer Full Register 0

Bits	Name	Access	Default Value	Description
31:16	ERBF31/ERBF16	R/W	0	Note: These bits exist based on the number of RX buffers.
15	ERBF15	R/W	0	RX Buffer_15/1 Full Interrupt Enable Description same as ERBF0. RX Buffer_0 Full Interrupt Enable is for ERBF0. 1 = enables setting RXBFL bit in ISR when RX Buffer 0 becomes Full 0 = RXBFL bit in ISR does not set if RX Buffer 0 becomes Full
14	ERBF14			
13	ERBF13			
12	ERBF12			
11	ERBF11			
10	ERBF10			
9	ERBF9			
8	ERBF8			
7	ERBF7			
6	ERBF6			
5	ERBF5			
4	ERBF4			
3	ERBF3			
2	ERBF2			
1	ERBF1			
0	ERBF0			

Notes:

1. This register space is reserved for RX sequential/FIFO buffer mode. Write has no effect and read returns 0.

Interrupt Enable RX Buffer Full Register 1 (Address Offset + 0x00C4)

Table 2-24: Interrupt Enable RX Buffer Full Register 1

Bits	Name	Access	Default Value	Description
31:16	Reserved	–	0	Reserved
15:1	ERBF47/ERBF33	R/W	0	RX Buffer_47/33 Full Interrupt Enable Description same as ERBF32.
0	ERBF32	R/W	0	RX Buffer_32 Full Interrupt Enable 1 = enables setting RXBFL bit in ISR when RX Buffer 32 becomes Full 0 = RXBFL bit in ISR does not set if RX Buffer 32 becomes Full

Notes:

1. This register space is reserved for RX Sequential/FIFO mode or when the number of RX mailbox buffers are 16 or 32. When reserved, write has no effect and read returns 0.

Acceptance Filter (Control) Register (Address Offset + 0x00E0)

In RX Sequential/FIFO buffer mode, the Acceptance Filter (Control) Register (AFR) defines which acceptance filters to use. Each Acceptance Filter ID Register (AFIR) and Acceptance Filter Mask Register (AFMR) pair is associated with a UAF bit.

- When the UAF bit is 1, the corresponding acceptance filter pair is used for acceptance filtering. When the UAF bit is 0, the corresponding acceptance filter pair is not used for acceptance filtering.
- To modify an acceptance filter pair in Normal mode, the corresponding UAF bit in this register must be set to 0.
- After the acceptance filter is modified, the corresponding UAF bit must be set to 1.
- If all UAF bits are set to 0, then received messages are not stored in the RX Sequential/FIFO buffers.
- If the UAF bits are changed from a 1 to 0 during reception of a message, then that message might or might not be stored.

Table 2-25: Acceptance Filter (Control) Register

Bits	Name	Access	Default Value	Description
31	UAF31	R/W	0	Use Acceptance Filter Mask Pair 31 Description same as UAF0.
30	UAF30	R/W	0	Use Acceptance Filter Mask Pair 30 Description same as UAF0.
29	UAF29	R/W	0	Use Acceptance Filter Mask Pair 29 Description same as UAF0.

Table 2-25: Acceptance Filter (Control) Register (Cont'd)

Bits	Name	Access	Default Value	Description
28	UAF28	R/W	0	Use Acceptance Filter Mask Pair 28 Description same as UAF0.
27	UAF27	R/W	0	Use Acceptance Filter Mask Pair 27 Description same as UAF0.
26	UAF26	R/W	0	Use Acceptance Filter Mask Pair 26 Description same as UAF0.
25	UAF25	R/W	0	Use Acceptance Filter Mask Pair 25 Description same as UAF0.
24	UAF24	R/W	0	Use Acceptance Filter Mask Pair 24 Description same as UAF0.
23	UAF23	R/W	0	Use Acceptance Filter Mask Pair 23 Description same as UAF0.
22	UAF22	R/W	0	Use Acceptance Filter Mask Pair 22 Description same as UAF0.
21	UAF21	R/W	0	Use Acceptance Filter Mask Pair 21 Description same as UAF0.
20	UAF20	R/W	0	Use Acceptance Filter Mask Pair 20 Description same as UAF0.
19	UAF19	R/W	0	Use Acceptance Filter Mask Pair 19 Description same as UAF0.
18	UAF18	R/W	0	Use Acceptance Filter Mask Pair 18 Description same as UAF0.
17	UAF17	R/W	0	Use Acceptance Filter Mask Pair 17 Description same as UAF0.
16	UAF16	R/W	0	Use Acceptance Filter Mask Pair 16 Description same as UAF0.
15	UAF15	R/W	0	Use Acceptance Filter Mask Pair 15 Description same as UAF0.
14	UAF14	R/W	0	Use Acceptance Filter Mask Pair 14 Description same as UAF0.
13	UAF13	R/W	0	Use Acceptance Filter Mask Pair 13 Description same as UAF0.
12	UAF12	R/W	0	Use Acceptance Filter Mask Pair 12 Description same as UAF0.
11	UAF11	R/W	0	Use Acceptance Filter Mask Pair 11 Description same as UAF0.
10	UAF10	R/W	0	Use Acceptance Filter Mask Pair 10 Description same as UAF0.

Table 2-25: Acceptance Filter (Control) Register (Cont'd)

Bits	Name	Access	Default Value	Description
9	UAF9	R/W	0	Use Acceptance Filter Mask Pair 9 Description same as UAF0.
8	UAF8	R/W	0	Use Acceptance Filter Mask Pair 8 Description same as UAF0.
7	UAF7	R/W	0	Use Acceptance Filter Mask Pair 7 Description same as UAF0.
6	UAF6	R/W	0	Use Acceptance Filter Mask Pair 6 Description same as UAF0.
5	UAF5	R/W	0	Use Acceptance Filter Mask Pair 5 Description same as UAF0.
4	UAF4	R/W	0	Use Acceptance Filter Mask Pair 4 Description same as UAF0.
3	UAF3	R/W	0	Use Acceptance Filter Mask Pair 3 Description same as UAF0.
2	UAF2	R/W	0	Use Acceptance Filter Mask Pair 2 Description same as UAF0.
1	UAF1	R/W	0	Use Acceptance Filter Mask Pair 1 Description same as UAF0.
0	UAF0	R/W	0	Use Acceptance Filter Mask Pair 0 Enables the use of acceptance filter mask pair 0. 1 = indicates Acceptance Filter Mask Register 0 (AFMR0 or M0) and Acceptance Filter ID Register 0 (AFID0 or F0) pair is used for acceptance filtering 0 = indicates AFMR0 and AFID0 pair is not used for acceptance filtering

Notes:

1. This register space is reserved for RX Mailbox buffer mode. Write has no effect and read returns 0.

RX FIFO Status Register (Address Offset + 0x00E8)

Table 2-26: RX FIFO Status Register

Bits	Name	Access	Default Value	Description
31:13	Reserved	–	0	Reserved
12:8	FL[5:0]	R	0	[5:0] Fill Level (0-32) Number of stored message in Receive FIFO starting from RI index given in this register. For example, if FL = 0x5 and RI = 0x3 then RX FIFO has five messages starting from Read Index 3 (Start address 0x1190). FL is maintained if CEN bit is cleared. FL gets reset to 0 if soft or hard reset is asserted.

Table 2-26: RX FIFO Status Register (Cont'd)

Bits	Name	Access	Default Value	Description
7	IRI	W	0	Increment Read Index by 1 With each Host writes setting this bit as 1, core increments Read index (RI field) by 1 and update fill level (that is, decrement by 1). If FILL level is 0, setting this bit has no effect. Note that FILL level might remain unchanged when IRI is written if core is just finishing a successful receive and incrementing internal write index. This bit always read as 0.
6:5	Reserved	–	0	Reserved
4:0	RI[4:0]	R	0	[4:0] Read Index (0 to 31) Each time IRI bit is set, core increments read index by + 1 (provided FILL level is not 0) and maintains it for Host to access next available message. RI = 0x0 -> Next message read starts from location = 0x1100 RI = 0x1 -> Next message read starts from location = 0x1148 : RI = 0x1F -> Next message read starts from location = 0x19B8 RI is maintained if CEN bit is cleared. RI gets reset to 0 if soft or hard reset is asserted.

Notes:

1. This register space is reserved for RX Mailbox buffer mode. Write has no effect and read returns 0.

RX FIFO Watermark Register (Address Offset + 00EC)

Table 2-27: RX FIFO Watermark Register

Bits	Name	Access	Default Value	Description
31:5	Reserved	–	0	Reserved
4:0	RXFWM	R/W	0xf	RX FIFO Full Watermark RXFIFO generates FULL interrupt based on the value programmed in this field. Set it within (1-31) range. The RX FIFO Full Watermark interrupt in ISR register continues to assert as long as the RX FIFO Fill Level is above RX FIFO Full watermark. This field can be written to only when CEN bit in SRR is 0.

Notes:

1. This register space is reserved for RX Mailbox buffer mode. Write has no effect and read returns 0.

CAN FD TX Message Space Register Descriptions

Table 2-28: CAN FD TX Message Space

Start Address	Name	Access	Description	Notes	
0x0100	TB0-ID	Read, Write	TB ID Register TB0 Message space inside memory mapped TX block RAM.	Only required DW locations needs to be written as per FDF and DLC field for a given message.	
0x0104	TB0-DLC	Read, Write	TB DLC Register		
0x0108	TB0-DW0	Read, Write	TB DW0 Register		
0x010C	TB0-DW1	Read, Write	See TB DW0 Register		
0x0110	TB0-DW2	Read, Write			
0x0114	TB0-DW3	Read, Write			
0x0118	TB0-DW4	Read, Write			
0x011C	TB0-DW5	Read, Write			
0x0120	TB0-DW6	Read, Write			
0x0124	TB0-DW7	Read, Write			
0x0128	TB0-DW8	Read, Write			
0x012C	TB0-DW9	Read, Write			
0x0130	TB0-DW10	Read, Write			
0x0134	TB0-DW11	Read, Write			
0x0138	TB0-DW12	Read, Write			
0x013C	TB0-DW13	Read, Write			
0x0140	TB0-DW14	Read, Write			
0x0144	TB0-DW15	Read, Write			
TB1 to TB7 Message Space					
0x0148-0x018C	TB1	Read, Write	See TB DW0 Register TB*-ID to TB*-DW15		
0x0190-0x01D4	TB2	Read, Write			
0x01D8-0x021C	TB3	Read, Write			
0x0220-0x0264	TB4	Read, Write			
0x0268-0x02AC	TB5	Read, Write			
0x02B0-0x02F4	TB6	Read, Write			
0x02F8-0x033C	TB7	Read, Write			

Table 2-28: CAN FD TX Message Space (Cont'd)

Start Address	Name	Access	Description	Notes
TB8 to TB15 Message Space				
0x0340-0x0384	TB8	Read, Write	See TB DW0 Register TB*-ID to TB*-DW15	Reserved if number of TX buffers = 8. In this case, core does not allow any write access to this address space and read access returns 0.
0x0388-0x03CC	TB9	Read, Write		
0x03D0-0x0414	TB10	Read, Write		
0x0418-0x045C	TB11	Read, Write		
0x0460-0x04A4	TB12	Read, Write		
0x04A8-0x04EC	TB13	Read, Write		
0x04F0-0x0534	TB14	Read, Write		
0x0538-0x057C	TB15	Read, Write		

Table 2-28: CAN FD TX Message Space (Cont'd)

Start Address	Name	Access	Description	Notes
TB16 to TB31 Message Space				
0x0580-0x05C4	TB16	Read, Write	See TB DW0 Register TB*-ID to TB*-DW15	Reserved if number of TX buffers = 8 or 16. In this case, core does not allow any write access to this address space and read access returns 0.
0x05C8-0x060C	TB17	Read, Write		
0x0610-0x0654	TB18	Read, Write		
0x0658-0x069C	TB19	Read, Write		
0x06A0-0x06E4	TB20	Read, Write		
0x06E8-0x072C	TB21	Read, Write		
0x0730-0x0774	TB22	Read, Write		
0x0778-0x07BC	TB23	Read, Write		
0x07C0-0x0804	TB24	Read, Write		
0x0808-0x084C	TB25	Read, Write		
0x0850-0x0894	TB26	Read, Write		
0x0898-0x08DC	TB27	Read, Write		
0x08E0-0x0924	TB28	Read, Write		
0x0928-0x096C	TB29	Read, Write		
0x0970-0x09B4	TB30	Read, Write		
0x09B8-0x09FC	TB31	Read, Write		
Reserved				
0x0AA0-0x0AFF	Reserved	–	Reserved space. Write has no effect. Read always returns 0.	

Notes:

1. Block RAM locations are initialized to 0 at power on reset. Asserting a soft or hard reset does not clear block RAM locations.
2. Each TB is linked to a bit in TRR register. Core access TB elements inside TX block RAM only if respective TRR bit is set. After setting TRR bit, Host should not access the TX message elements until TRR is cleared by the core to avoid memory collision issues.

TB*-ID Register (Address Offset + 0x0100, 0x0148 ...)

Table 2-29: TB ID Register

Bits	Name	Control/Status	Default Value	Description
31:21	ID[28:18]	Control	N/A	Standard Message ID The Identifier portion for a Standard Frame is 11 bits. These bits indicate the Standard Frame ID. This field is valid for both CAN and CAN FD Standard and Extended Frames.
20	SRR/RTR/RRS	Control	N/A	Substitute Remote Transmission Request For Extended CAN frames and Extended CAN FD frame this bit is transmitted at SRR position of the respective frame and must be set as 1. For Standard CAN FD frame this bit is transmitted at RRS position of the frame and must be set as 0. This bit differentiates between standard CAN data frames and standard CAN remote frames as the following: 1 = indicates that the message frame is a Standard Remote CAN Frame 0 = indicates that the message frame is a Standard Data CAN Frame Note: There are no CAN FD remote frames.
19	IDE	Control	N/A	Identifier Extension This bit differentiates between frames using the Standard Identifier and those using the Extended Identifier. Valid for both CAN and CAN FD Standard and Extended Frames. 1 = indicates the use of an Extended Message Identifier 0 = indicates the use of a Standard Message Identifier
18:1	ID[18:0]	Control	N/A	Extended Message ID. This field indicates the Extended Identifier. Valid only for Extended CAN and CAN FD Frames. For Standard CAN and CAN FD Frames, writes to this field should be 0.
0	RTR/RRS	Control	N/A	Remote Transmission Request. This bit differentiates between CAN extended data frames and CAN extended remote frames. 1 = indicates the message frame is a CAN Remote Frame 0 = indicates the message frame is a CAN Data Frame For Extended CAN FD frame this bit is transmitted at RRS position of the frame and must be set as 0. For Standard CAN and CAN FD Frames, writes to this bit should be 0. Note: There are no CAN FD remote frames.

TB*-DLC Register (Address Offset + 0x0104, 0x014C ...)

Table 2-30: TB DLC Register

Bits	Name	Control/Status	Default Value	Description
31:28	DLC[3:0]	Control	N/A	Data Length Code This is the data length code of the control field of the CAN and CAN FD frame.
27	EDL/FDF	Control	N/A	Extended Data Length/FD Frame Format This bit distinguishes between CAN format and CAN FD format frames. 1 = CAN FD format frame 0 = CAN format frame
26	BRS	Control	N/A	Bit Rate Switch The BRS bit decides whether the bit rate is switched inside a CAN FD format frame or not (provided BRSD bit is not set in MSR register). 1 = bit rate is switched from the standard bit rate of the Arbitration phase to the preconfigured alternate bit rate of the Data phase inside a CAN FD frame 0 = bit rate is not switched inside a CAN FD frame Note: BRS does not exist in CAN format frames and should be set to 0.
25:16	Reserved	N/A	N/A	Reserved. Write to this field should be 0.
15:0	Timestamp	Status	N/A	Timestamp captured after SOF bit. This is written by core for status purpose for successfully transmitted message.

TB*-DW0 Register (Address Offset + 0x0108,..., 0x0150,...)

Table 2-31: TB DW0 Register

Bits	Name	Default Value	Description
31:24	Data bytes0 [7:0]	N/A	Data Byte 0. Data byte needs to be transmitted with CAN or CAN FD frame based on DLC control field.
23:16	Data bytes1 [7:0]	N/A	Data Byte 1. Data byte needs to be transmitted with CAN or CAN FD frame based on DLC control field.
15:8	Data bytes2 [7:0]	N/A	Data Byte 2. Data byte needs to be transmitted with CAN or CAN FD frame based on DLC control field.
7:0	Data bytes3 [7:0]	N/A	Data Byte 3. Data byte needs to be transmitted with CAN or CAN FD frame based on DLC control field.

Notes:

1. Only required DW locations needs to be written as per FDF and DLC field for a given message.

TB*-DW1-15 Register (Address Offset + 0x010C ..., 0x0154,...)

Description similar to [Table 2-31, page 43](#).

Note: Only required DW locations needs to be written as per FDF and DLC field for a given message.

CAN FD RX Message Space (Sequential/FIFO Buffers) Register Descriptions

Table 2-32: CAN FD RX Message Space (Sequential/FIFO Buffers)

Start Address	Name	Access	Description	Notes
0x1000-0x10FF	Reserved	–	Reserved space. Write has no effect. Read always returns 0.	
32 Message Deep Sequential (FIFO) Buffer Space				
0x1100	RB0-ID	Read, Write	RB ID Register RB0 Message space inside memory mapped RX block RAM.	<p>Only required DW locations needs to be read as per FDF and DLC field for a given message.</p> <hr/> <p>IMPORTANT: <i>Ensure no unintended writes are done from Host interface to RX block RAM message space (core does not block writes to RX block RAM message space).</i></p> <hr/>
0x1104	RB0-DLC	Read, Write	RB DLC Register	
0x1108	RB0-DW0	Read, Write	RB DW0 Register	
0x110C	RB0-DW1	Read, Write	See RB DW0 Register	
0x1110	RB0-DW2	Read, Write		
0x1114	RB0-DW3	Read, Write		
0x1118	RB0-DW4	Read, Write		
0x111C	RB0-DW5	Read, Write		
0x1120	RB0-DW6	Read, Write		
0x1124	RB0-DW7	Read, Write		
0x1128	RB0-DW8	Read, Write		
0x112C	RB0-DW9	Read, Write		
0x1130	RB0-DW10	Read, Write		
0x1134	RB0-DW11	Read, Write		
0x1138	RB0-DW12	Read, Write		
0x113C	RB0-DW13	Read, Write		
0x1140	RB0-DW14	Read, Write		
0x1144	RB0-DW15	Read, Write		

Table 2-32: CAN FD RX Message Space (Sequential/FIFO Buffers) (Cont'd)

Start Address	Name	Access	Description	Notes
RB1 to RB31 Message Space				
0x1148-0x118C	RB1	Read, Write	See RB DW0 Register RB*-ID to RB*-DW15	
0x1190-0x11D4	RB2	Read, Write		
0x11D8-0x121C	RB3	Read, Write		
0x1220-0x1264	RB4	Read, Write		
0x1268-0x12AC	RB5	Read, Write		
0x12B0-0x12F4	RB6	Read, Write		
0x12F8-0x133C	RB7	Read, Write		
0x1340-0x1384	RB8	Read, Write		
0x1388-0x13CC	RB9	Read, Write		
0x13D0-0x1414	RB10	Read, Write		
0x1418-0x145C	RB11	Read, Write		
0x1460-0x14A4	RB12	Read, Write		
0x14A8-0x14EC	RB13	Read, Write		
0x14F0-0x1534	RB14	Read, Write		
0x1538-0x157C	RB15	Read, Write		
0x1580-0x15C4	RB16	Read, Write		
0x15C8-0x160C	RB17	Read, Write		
0x1610-0x1654	RB18	Read, Write		
0x1658-0x169C	RB19	Read, Write		
0x16A0-0x16E4	RB20	Read, Write		

Table 2-32: CAN FD RX Message Space (Sequential/FIFO Buffers) (Cont'd)

Start Address	Name	Access	Description	Notes
0x16E8-0x172C	RB21	Read, Write	See RB DW0 Register RB*-ID to RB*-DW15	
0x1730-0x1774	RB22	Read, Write		
0x1778-0x17BC	RB23	Read, Write		
0x17C0-0x1804	RB24	Read, Write		
0x1808-0x184C	RB25	Read, Write		
0x1850-0x1894	RB26	Read, Write		
0x1898-0x18DC	RB27	Read, Write		
0x18E0-0x1924	RB28	Read, Write		
0x1928-0x196C	RB29	Read, Write		
0x1970-0x19B4	RB30	Read, Write		
0x19B8-0x19FC	RB31	Read, Write		
32 ID Filter-Mask Pairs				
0x1A00	M0/AFMR0	Read, Write	Acceptance Filter Mask Register	ID Filter Mask pair 0
0x1A04	F0/AFIR0	Read, Write	Acceptance Filter ID Registers	
0x1A08	M1/AFMR1	Read, Write	See Acceptance Filter Mask Register	ID Filter Mask pair 1
0x1A0C	F1/AFIR1	Read, Write		
0x1A10-0x1AFC	M2, F2-M31, F31	Read, Write		ID Filter Mask pairs 2 to 31
Reserved				
0x1B00-0x1FFF	Reserved	–	Reserved space. Write has no effect. Read always returns 0.	

Notes:

1. Block RAM locations are initialized to 0 at power on reset. Asserting a soft or hard reset does not clear block RAM locations.
2. Message Buffer element resides in RX block RAM. Host should respect read access rules to avoid memory collisions.

RB*-ID Register (Address Offset + 0x1100, 0x1148 ...)

Table 2-33: RB ID Register

Bits	Name	Control/Status	Default Value	Description
31:21	ID[28:18]	Status	N/A	Standard Message ID. The Identifier portion for a Standard Frame is 11 bits. These bits indicate the Standard Frame ID. This field is valid for both CAN and CAN FD Standard and Extended Frames.
20	SRR/RTR/RRS	Status	N/A	Substitute Remote Transmission Request. For Extended CAN frames and Extended CAN FD frame this bit was received at SRR position of the respective frame. For Standard CAN FD frame this bit was received at RRS position of the frame. This bit differentiates between received standard CAN data frames and standard CAN remote frames as following 1 = indicates that the received message is a Standard Remote CAN Frame 0 = indicates that the received message is a Standard Data CAN Frame
19	IDE	Status	N/A	Identifier Extension This bit differentiates between frames using the Standard Identifier and those using the Extended Identifier. Valid for both CAN and CAN FD Standard and Extended Frames. 1 = indicates the use of an Extended Message Identifier 0 = indicates the use of a Standard Message Identifier
18:1	ID[18:0]	Status	N/A	Extended Message ID This field indicates the Extended Identifier. Valid only for Extended CAN and CAN FD Frames. For Standard CAN and CAN FD Frames, this field is reserved and has no meaning.
0	RTR/RRS	Status	N/A	Remote Transmission Request This bit differentiates between CAN extended data frames and CAN extended remote frames. 1 = indicates the received message is a CAN Remote Frame 0 = indicates the received message is a CAN Data Frame For Extended CAN FD frame this bit was received at RRS position of the frame and must be set as 0. For Standard CAN and CAN FD Frames, this field is reserved and has no meaning.

RB*DLC Register (Address Offset + 0x1104, 0x114C ...)

Table 2-34: RB DLC Register

Bits	Name	Control/Status	Default Value	Description
31:28	DLC[3:0]	Status	N/A	Data Length Code Received data length code of the control field of the CAN and CAN FD frame.
27	EDL/FDF	Status	N/A	Extended Data Length/FD Frame Format This bit distinguishes between CAN format and CAN FD format frames. 1 = received frame is CAN FD format frame 0 = received frame is CAN format frame
26	BRS	Status	N/A	Bit Rate Switch The BRS bit provides status whether the bit rate was switched inside the received CAN FD format frame or not. 1 = bit rate was switched from the standard bit rate of the ARBITRATION PHASE to the preconfigured alternate bit rate of the DATA PHASE inside the received CAN FD frame 0 = bit rate was not switched inside the received CAN FD frame This bit has no meaning if received frame is CAN frame.
25	ESI	Status	N/A	Error State Indicator The ESI bit provides the error status of the sender/transmitter of the message. 1 = received frame was sent by error passive transmitter 0 = received frame was sent by error active transmitter This bit has no meaning if received frame is CAN frame.
24:21	Reserved	N/A	N/A	Reserved. Read from this field return 0.
20:16	Matched_Filter_Index[4:0]	Status	N/A	This status field is written by core in RX FIFO mode to provide the matched filter index for received message. Note: This field is Reserved in RX Mailbox mode and read from this field returns 0.
15:0	Timestamp	Status	N/A	Timestamp captured after SOF bit. This is written by core for status purpose for successfully received message.

RB*-DW0 Register (Address Offset + 0x1108,..., 0x1150,...)

Table 2-35: RB DW0 Register

Bits	Name	Default Value	Description
31:24	Data bytes0 [7:0]	N/A	Data Byte 0. Data byte that was received with CAN or CAN FD frame based on DLC control field.
23:16	Data bytes1 [7:0]	N/A	Data Byte 1. Data byte that was received with CAN or CAN FD frame based on DLC control field.
15:8	Data bytes2 [7:0]	N/A	Data Byte 2. Data byte that was received with CAN or CAN FD frame based on DLC control field.
7:0	Data bytes3 [7:0]	N/A	Data Byte 3. Data byte that was received with CAN or CAN FD frame based on DLC control field.

Notes:

1. Only required DW locations needs to be read as per FDF and DLC field for a given message.

RB*-DW1-15 Register (Address Offset + 0x110C ..., 0x1154,...)

Description similar to [Table 2-35, page 49](#).

Note: Only required DW locations needs to be read as per FDF and DLC field for a given message.

Acceptance Filters

There are 32 Acceptance Filters in RX Sequential/FIFO mode. Each acceptance filter has an Acceptance Filter Mask Register and an Acceptance Filter ID Register (which is controlled by Acceptance Filter (Control) Register bits described in [Table 2-25, page 35](#)).

Acceptance filtering is performed in this sequence:

1. The incoming Identifier is masked with the bits in the Acceptance Filter Mask Register.
2. The Acceptance Filter ID Register is also masked with the bits in the Acceptance Filter Mask Register.
3. Both resulting values are compared.
4. If both these values are equal, then the message is stored in the RX Sequential/FIFO buffers.
5. Acceptance filtering is processed by each of the defined filters. If the incoming identifier passes through any acceptance filter, then the message is stored in the RX Sequential/FIFO buffers.



IMPORTANT: Ensure proper programming of IDE bit for standard and extended frames in the Mask Register and Buffer ID Register. If you set the IDE bit in Mask Register as 0, then it is considered to be a standard frame ID check only and therefore if Standard ID bits of the incoming message match with the respective bits of Filter ID (after applying Mask register bits), then message is stored.

AFMR* Register (Address Offset + 0x1A00, 0x1A08,...)

The Acceptance Filter Mask Registers (AFMR) contain mask bits used for acceptance filtering. The incoming message identifier portion of a message frame is compared with the message identifier stored in the acceptance filter ID register. The mask bits define which identifier bits stored in the Acceptance Filter ID Register are compared to the incoming message identifier for CAN or CAN FD frames.

All bit fields (AMID[28:18], AMSRR, AMIDE, AMID[17:0], and AMRTR) need to be defined for Extended frames.

Only AMID[28:18], AMSRR, and AMIDE need to be defined for Standard frames. AMID[17:0] and AMRTR should be written as 0 for Standard frames.

Table 2-36: Acceptance Filter Mask Register

Bits	Name	Access	Default Value	Description
31:21	AMID[28:18]	R/W	0	Standard Message ID Mask These bits are used for masking the Identifier in a Standard Frame. 1 = indicates the corresponding bit in Acceptance Mask ID Register is used when comparing the incoming message identifier 0 = indicates the corresponding bit in Acceptance Mask ID Register is not used when comparing the incoming message identifier
20	AMSRR	R/W	0	Substitute Remote Transmission Request Mask This bit is used for masking the RTR bit in a Standard Frame. 1 = indicates the corresponding bit in Acceptance Mask ID Register is used when comparing the incoming message identifier 0 = indicates the corresponding bit in Acceptance Mask ID Register is not used when comparing the incoming message identifier
19	AMIDE	R/W	0	Identifier Extension Mask Used for masking the IDE bit. 1 = indicates the corresponding bit in Acceptance Mask ID Register is used when comparing the incoming message identifier 0 = indicates the corresponding bit in Acceptance Mask ID Register is not used when comparing the incoming message identifier If AMIDE = 1 and the AIIDE bit in the corresponding Acceptance ID Register is 0, this mask is applicable to only Standard frames. If AMIDE = 1 and the AIIDE bit in the corresponding Acceptance ID register is 1, this mask is applicable to only extended frames. If AMIDE = 0, this mask is applicable to both Standard and Extended frames.

Table 2-36: Acceptance Filter Mask Register (Cont'd)

Bits	Name	Access	Default Value	Description
18:1	AMID[17:0]	R/W	0	Extended Message ID Mask These bits are used for masking the Identifier in an Extended Frame. 1 = indicates the corresponding bit in Acceptance Mask ID Register is used when comparing the incoming message identifier 0 = indicates the corresponding bit in Acceptance Mask ID Register is not used when comparing the incoming message identifier
0	AMRTR	R/W	0	Remote Transmission Request Mask This bit is used for masking the RTR bit in an Extended Frame. 1 = indicates the corresponding bit in Acceptance Mask ID Register is used when comparing the incoming message identifier 0 = indicates the corresponding bit in Acceptance Mask ID Register is not used when comparing the incoming message identifier

AFIR* Register (Address Offset + 0x1A04, 0x1A0C,...)

The Acceptance Filter ID Registers (AFIR) contain Identifier bits, which are used for acceptance filtering.

All bit fields (AIID[28:18], AISRR, AIIDE, AIID[17:0], and AIRTR) need to be defined for Extended frames.

Only AIID[28:18], AISRR, and AIIDE need to be defined for Standard frames. AIID[17:0] and AIRTR should be written as 0 for Standard frames.

Table 2-37: Acceptance Filter ID Registers

Bits	Name	Access	Default Value	Description
31:21	AIID [28:18]	R/W	0	Standard Message ID. Standard Identifier.
20	AISRR	R/W	0	Substitute Remote Transmission Request. Indicates the Remote Transmission Request bit for Standard frames.
19	AIIDE	R/W	0	Identifier Extension. Differentiates between Standard and Extended frames.
18:1	AIID[17:0]	R/W	0	Extended Message ID. Extended Identifier.
0	AIRTR	R/W	0	Remote Transmission Request. RTR bit for Extended frames.

CAN FD RX Message Space (Mailbox Buffers) Register Descriptions

Table 2-38: CAN FD RX Message Space (Mailbox Buffers)

Start Address	Name	Access	Description	Notes
0x1000	MRB0	Read, Write	See Acceptance Filter Mask Register Mask for mailbox buffer RB0.	MRB16 to MRB47 are valid based on number of RX buffers. When RX buffers is chosen as 16 or 32, core does not allow any write access outside the respective address space and read access returns 0.
0x1004	MRB1	Read, Write	See Acceptance Filter Mask Register Mask for mailbox buffer RB1.	
0x1008	MRB2	Read, Write	See Acceptance Filter Mask Register Mask for mailbox buffer RB2.	
0x100C	MRB3	Read, Write	See Acceptance Filter Mask Register Mask for mailbox buffer RB3.	
0x1010-0x10BC	MRB4-MRB47	Read, Write	See Acceptance Filter Mask Register Mask for mailbox buffer RB4 to RB47.	
0x10C0-0x10FF	Reserved	–	Reserved space. Write has no effect. Read always returns 0.	
Mailbox Buffer Space				
0x1100	RB0-ID	Read, Write	See RB ID Register	Only required DW locations for a given message needs to be read (as per DLC field). IMPORTANT: <i>Ensure no unintended writes are done from Host interface to RX block RAM space (core does not block writes to RX block RAM locations).</i>
0x1104	RB0-DLC	Read, Write	See RB DLC Register	
0x1108	RB0-DW0	Read, Write	See RB DW0 Register RB0 Message space inside memory mapped RX block RAM.	
0x110C	RB0-DW1	Read, Write		
0x1110	RB0-DW2	Read, Write		
0x1114	RB0-DW3	Read, Write		
0x1118	RB0-DW4	Read, Write		
0x111C	RB0-DW5	Read, Write		
0x1120	RB0-DW6	Read, Write		
0x1124	RB0-DW7	Read, Write		
0x1128	RB0-DW8	Read, Write		
0x112C	RB0-DW9	Read, Write		
0x1130	RB0-DW10	Read, Write		
0x1134	RB0-DW11	Read, Write		
0x1138	RB0-DW12	Read, Write		
0x113C	RB0-DW13	Read, Write		
0x1140	RB0-DW14	Read, Write		
0x1144	RB0-DW15	Read, Write		

Table 2-38: CAN FD RX Message Space (Mailbox Buffers) (Cont'd)

Start Address	Name	Access	Description	Notes
RB1 to RB15 Message Space				
0x1148-0x118C	RB1	Read, Write	See RB DW0 Register RB*-ID to RB*-DW15	
0x1190-0x11D4	RB2	Read, Write		
0x11D8-0x121C	RB3	Read, Write		
0x1220-0x1264	RB4	Read, Write		
0x1268-0x12AC	RB5	Read, Write		
0x12B0-0x12F4	RB6	Read, Write		
0x12F8-0x133C	RB7	Read, Write		
0x1340-0x1384	RB8	Read, Write		
0x1388-0x13CC	RB9	Read, Write		
0x13D0-0x1414	RB10	Read, Write		
0x1418-0x145C	RB11	Read, Write		
0x1460-0x14A4	RB12	Read, Write		
0x14A8-0x14EC	RB13	Read, Write		
0x14F0-0x1534	RB14	Read, Write		
0x1538-0x157C	RB15	Read, Write		

Table 2-38: CAN FD RX Message Space (Mailbox Buffers) (Cont'd)

Start Address	Name	Access	Description	Notes
RB16 to RB31 Message Space				
0x1580-0x15C4	RB16	Read, Write	See RB DW0 Register RB*-ID to RB*-DW15	Reserved if number of RX buffers = 16. In this case, core does not allow any write access to this address space and read access returns 0.
0x15C8-0x160C	RB17	Read, Write		
0x1610-0x1654	RB18	Read, Write		
0x1658-0x169C	RB19	Read, Write		
0x16A0-0x16E4	RB20	Read, Write		
0x16E8-0x172C	RB21	Read, Write		
0x1730-0x1774	RB22	Read, Write		
0x1778-0x17BC	RB23	Read, Write		
0x17C0-0x1804	RB24	Read, Write		
0x1808-0x184C	RB25	Read, Write		
0x1850-0x1894	RB26	Read, Write		
0x1898-0x18DC	RB27	Read, Write		
0x18E0-0x1924	RB28	Read, Write		
0x1928-0x196C	RB29	Read, Write		
0x1970-0x19B4	RB30	Read, Write		
0x19B8-0x19FC	RB31	Read, Write		

Table 2-38: CAN FD RX Message Space (Mailbox Buffers) (Cont'd)

Start Address	Name	Access	Description	Notes
RB32 to RB47 Message Space				
0x1A00-0x1A44	RB32	Read, Write	See RB DW0 Register RB*-ID to RB*-DW15	Reserved if number of RX buffers = 16 or 32. In this case, core does not allow any write access to this address space and read access returns 0.
0x1A48-0x1A8C	RB33	Read, Write		
0x1A90-0x1AD4	RB34	Read, Write		
0x1AD8-0x1B1C	RB35	Read, Write		
0x1B20-0x1B64	RB36	Read, Write		
0x1B68-0x1BAC	RB37	Read, Write		
0x1BB0-0x1BF4	RB38	Read, Write		
0x1BF8-0x1C3C	RB39	Read, Write		
0x1C40-0x1C84	RB40	Read, Write		
0x1C88-0x1CCC	RB41	Read, Write		
0x1CD0-0x1D14	RB42	Read, Write		
0x1D18-0x1D5C	RB43	Read, Write		
0x1D60-0x1DA4	RB44	Read, Write		
0x1DA8-0x1DEC	RB45	Read, Write		
0x1DF0-0x1E34	RB46	Read, Write		
0x1E38-0x1E7C	RB47	Read, Write		
Reserved				
0x1E80-0x1FFF	Reserved	–	Reserved space. Write has no effect. Read always returns 0.	

Notes:

1. Block RAM locations are initialized to 0 at power on reset. Asserting a soft or hard reset does not clear block RAM locations.
2. Message Buffer element resides in RX block RAM. Host should respect read access rules to avoid memory collisions.

MRB* Register (Address Offset + 0x1000, 0x1004,...)

Description same as listed in [Table 2-36, page 50](#).

RB*-ID Register (Address Offset + 0x1100, 0x1148 ...)

Description same as listed in [Table 2-33, page 47](#).

RB*-DLC Register (Address Offset + 0x1104, 0x114C ...)

Description same as listed in [Table 2-34, page 48](#).

RB*-DW Register (Address Offset + 0x1108, 0x110C, ..., 0x1150, 0x1154, ...)

Description same as listed in [Table 2-35, page 49](#).

Designing with the Core

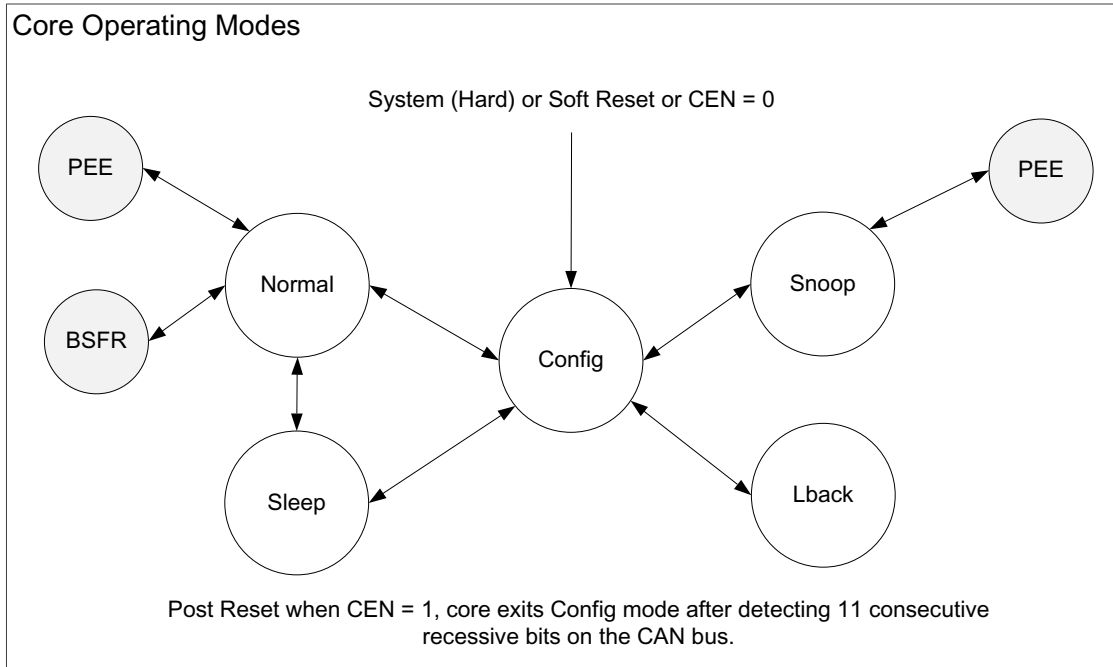
This chapter includes guidelines and additional information to facilitate designing with the core.

Operating Modes and States

The CAN FD core supports these modes and states:

- Configuration
- Normal
- Loopback
- Sleep
- Snoop
- Protocol Exception (PEE) State
- Bus-off Recovery State

[Figure 3-1](#) shows the core operating mode transitions and [Table 3-1](#) defines the modes of operation with corresponding control and status bits.



X14812-072015

Figure 3-1: Core Operating Modes

Table 3-1: CAN FD Core Operating Mode Transitions

System (Hard) Reset	SRR Register Bits		MSR Register Bits			SR (Status) Register Bits							Operation Mode	
	SRST (SW Reset)	CEN	LBACK	SLEEP	SNOOP	Config	BSFR_Config	PEE_Config	LBACK	SLEEP	NORMAL	SNOOP		
0 (reset)	X	X	X	X	X	1	0	0	0	0	0	0	Core is under reset	
1 (reset)	X	X	X	X	X	1	0	0	0	0	0	0	Core is under reset	
1	0	0	X	X	X	1	0	0	0	0	0	0	Configuration	
		1	0	0	0	0	0	0	0	0	0	1	0	Normal
			0	0	1	0	0	0	0	0	0	1	1	Snoop
			0	1	0	0	0	0	0	0	1	0	0	Sleep
			1	0	0	0	0	0	0	1	0	0	0	Loopback
			0	X	0	0	0	1	0	0	0	X	0	Bus-off recovery ⁽²⁾
			0	X	X	0	0	0	1	0	0	X	X	PEE ⁽³⁾

Notes:

1. X-Control bit don't care. Status bit does not mean anything.
2. Transition to Bus-off state depends on Transmit Error Count value as per standard specification. Recovery from Bus-off state depends on SBR and ABR bit settings in MSR register (as per respective bit behavior description). Bus-off recovery can be tracked through status bit BSFR_CONFIG in SR register and REC field in ECR register. Entry and exit from bus-off state can also generate interrupt.
3. Note that transition to CAN FD Protocol Exception State (PEE) depends on DPEE bit in MSR register. Core enters and exits PEE state as per ISO standard specification and this is reflected by status bit PEE_CONFIG in SR register. Entry to PEE state can also generate interrupt.

Configuration Mode

The core enters Configuration mode, irrespective of the operation mode, when any of the following actions are performed:

- Writing a 0 to the CEN bit in the SRR register.
- Writing a 1 to the SRST bit in the SRR register.
- Driving a 0 on the Reset input.

Post reset core exits Configuration mode after the CEN bit is set and consecutive 11 nominal recessive bits are seen on the CAN bus.

Configuration Mode Characteristics

The CAN FD has the following configuration mode characteristics:

- Controller loses synchronization with the CAN bus and drives a constant recessive bit on TX line.
- Error Counter Register is reset.
- Error Status Register is reset.
- BTR and BRPR registers can be modified.
- CONFIG bit in the Status Register is 1.
- Core does not receive any new messages.
- Core does not transmit any messages.
- All Configuration Registers are accessible.
- If there are message pending for transmission in TX block RAM when CEN is written 0, they are preserved (unless cancelled) and transmitted when normal operation is resumed.
- Message cancellation is permitted.
- New message can be added for transmission (provided SNOOP bit is not set in MSR register).
- If there are new message available in RX block RAM, they are preserved until host read/discard them.
- Interrupt Status Register bits: ARBLST, TXOK, RXOK, RXOFLW, ERROR, BSOFF, SLP, and WKUP are cleared.
- Interrupt Status Register bits TXTRS and TXCRS can be set due to cancellation.
- Interrupts are generated if the corresponding bits in the IER are 1.
- When in Configuration mode, Controller stays in this mode until the CEN bit in the SRR register is set to 1.
- After the CEN bit is set to 1, Controller waits for a sequence of 11 nominal recessive bits before exiting Configuration mode.
- CAN FD enters Normal, Loopback, Snoop or Sleep modes from Configuration mode, depending on the LBACK, SNOOP, and SLEEP bits in the MSR Register.

Normal Mode



IMPORTANT: *The core can enter Normal mode only if Sleep, Loopback, and Snoop bits are 0 in the MSR register.*

In Normal mode, the core participates in bus communication by transmitting and receiving messages.

Note: In Normal mode, core does not store its own transmitted messages.

(Internal) Loopback Mode



IMPORTANT: *This mode is used for diagnostic purposes when in Loopback mode.*

In Loopback mode, the core receives any messages that it transmits by an internal loopback to the RX line and acknowledge it. Received messages are stored in receive buffers based on ID match result. The core stores its own transmitted message (based on ID match result) in mailbox buffers or sequential/FIFO buffers in Loopback mode.

It does not participate in normal bus communication and does not receive any messages transmitted by other CAN nodes (external TX line is ignored). It drives a recessive bitstream on the CAN bus (external TX line).

Sleep Mode

The core enters Sleep mode from Configuration or Normal mode when the SLEEP bit is 1 in MSR register, CAN bus is idle, and there are no pending transmission requests.

The core enters Configuration mode when any configuration condition is satisfied.

The core enters Normal mode under the following (wake-up) conditions (and clears SLEEP request bit in MSR register and also clears the corresponding status bit):

- Whenever the SLEEP bit is set to 0.
- Whenever the SLEEP bit is 1, and bus activity is detected.
- Whenever there is a new message for transmission.

Interrupts are generated when the core enters Sleep mode or wakes up from Sleep mode.

Snoop (Bus Monitoring) Mode



IMPORTANT: *This mode is used for diagnostic purposes.*

The features of Snoop mode include:

- Core transmits recessive bits on to CAN bus.
- Receives messages that are transmitted by other nodes but does not ACK. Stores received messages in RX block RAM based on programmed ID filtering.
- Error counters are disabled and cleared to 0. Reads to Error Counter Register to return 0.



RECOMMENDED: *Xilinx recommends that Snoop mode is programmed only after system reset or software reset.*

Protocol Exception State

The CAN FD enters CAN FD Protocol Exception (PEE) state if it receives the res bit to be recessive in CAN FD frame (provided DPEE bit is not set in the MSR register). It comes out from this state after detecting sequence of 11 nominal recessive bits on the CAN bus and as per protocol specification transmit and receive error count remains unchanged in this state.

Bus-Off Recovery State

The CAN FD enters bus-off state if Transmit Error count reaches or exceeds its terminal point. Recovery from bus-off states is governed by the auto recovery (ABR) or manual recovery (SBR) bit setting in MSR register and is done as per protocol specification.

Programming Model

This section covers the various configuration steps that must be performed to program the CAN FD for operation. The following key configuration steps are detailed in this section.

1. Program configuration registers to initialize the CAN FD based on the operating mode.
2. Message Transmission, Cancellation and Reception.

Register Configuration Sequence

The following are steps to configure the CAN FD when the core is powered on or after system or software reset.

1. Choose the operating mode:
 - **Normal** – Write 0s to the LBACK, SNOOP, and SLEEP bits in the MSR. Write required value for BRS and DAR fields in the MSR register.
 - **Sleep** – Write 1 to the SLEEP bit in the MSR and 0 to the LBACK and SNOOP bits in the MSR. Write required value for BRS and DAR fields in the MSR register.
 - **Loopback** – Write 1 to the LBACK bit in the MSR and 0 to the SLEEP and SNOOP bits in the MSR. Write required value for BRS fields in the MSR register.
 - **Snoop** – Write 1 to the SNOOP bit in the MSR and 0 to the LBACK and SLEEP bits in the MSR register.
2. Configure the Transfer Layer Configuration Registers.



IMPORTANT: For proper operations, ensure that all CAN FD nodes in the network are programmed to have the same Arbitration Phase bit rate, Data Phase bit rate, Arbitration Phase sample point position, and Data Phase sample point position.

- Program the Arbitration Phase (Nominal) Baud Rate Prescaler Register and Arbitration Phase (Nominal) Bit Timing Register with the value calculated for the particular Arbitration Phase bit rate.
- Program the Data Phase Baud Rate Prescaler Register and Data Phase Bit Timing Register with the value to achieve desired Data Phase bit rate.
 - Data Phase Bit Timing Register also contains TDC control fields.

Note: Bit rate configured for the data phase must be higher or equal to the bit rate configured for the arbitration phase.
The Transfer Layer Configuration Registers can be changed only when the CEN bit in the SRR Register is 0.



IMPORTANT: Step #3 is only for Receive Sequential/FIFO mode.

3. Configure the Acceptance Filter Registers (AFR, AFMR, AFIR) to the following:
 - Write a 0 to the UAF bit in the register corresponding to the Acceptance Filter Mask and ID Register pair to be configured.
 - Write required mask information to the Acceptance Filter Mask Register (in RX block RAM).
 - Write required ID information to the Acceptance Filter ID Register (in RX block RAM).

- Write 1 to the UAF bit corresponding to the Acceptance Filter Mask and ID Register pair.
- Repeat the steps for each Acceptance Filter Mask and ID Register pair.



IMPORTANT: *Step #4 is only for Receive Mailbox mode.*

4. Configure the Mask Registers (MRB) for RX Mailbox buffers. Configure the RB-ID Register of respective buffer and set the control bit in RCS Register to make buffer status as Active.
5. Program Interrupt Enable Registers as per requirement.
6. Enable protocol controller by writing a 1 to the CEN bit in the SRR register.

After the occurrence of 11 consecutive recessive bits, the CAN FD clears the CONFIG bit in the Status Register to 0 and sets the appropriate Mode Status bit in the Status Register.



RECOMMENDED: *If the CEN bit is cleared during core operation, Xilinx recommends resetting the core so that operation starts afresh. Also, the LBACK, SLEEP, and SNOOP bits should never be set to 1 at the same time.*

Message Transmission, Cancellation, and Reception

Transmission

All messages written in the TX block RAM should follow the required message format for ID, DLC, and DW fields described earlier.

Each RR bit of the TX Buffer Ready Request (TRR) register corresponds to a message element in the TX block RAM.

TX – Host Actions

1. Poll TRR register to check current pending transmission requests.
2. If all bits of TRR register are set, then new transmission request can be added only if:
 - a. One or more buffer transmission requests are cancelled or
 - b. One or more buffer transmission completes
3. If one or more bits of TRR register are unset/clear, then new transmission request can be added as follows:
 - a. First, prepare one or more message elements in the TX block RAM (by writing valid ID, DLC, and DW fields of each message element of respective TX Buffer).
 - b. Enable interrupt generation as required.

- c. Set corresponding TRR bit(s) to enable buffer ready requests. Host can enable many transmission requests in one write to the TRR register.
- d. Wait for interrupt (if enabled) or poll the TRR register to gather the request status.
4. The CAN FD clears the TRR bit when a respective buffer request is completed (either due to transmission, or to cancellation, or due to DAR mode transmission).
5. Host can read message Timestamp after the TXOK bit is set in ISR.

Note: TXOK bit in the ISR is set after core successfully transmits a message.
ARBLST bit in the ISR is set if the CAN FD loses bus arbitration while transmitting a message.
ERROR bit in the ISR is set if message transmission encountered any error.

TX – Core Actions

1. The CAN FD figures out the next highest priority buffer to be transmitted. If two buffers have the same ID, then the buffer with the lower index is selected.
2. Updates Timestamp field of the message element after transmission is successful.
3. Clears respective TRR bit when the transmission request is served (either by successful transmission on the CAN bus, or to Cancellation, or due to DAR-based transmission).
4. If enabled through the IETRS and IER, the TXRRS bit is set in ISR register and interrupt is generated.

Notes

The CAN FD accesses message element space of a buffer in TX block RAM only if respective TRR bit is set.

Host should respect access rule to avoid memory collisions, that is, after Host sets a buffer ready request through TRR register, it should not read or write the respective message element space until respective RR bit is in clear/unset state.

Transmit Cancellation

Each CR bit of the TX Buffer Cancel Request (TCR) register corresponds to a message element in the TX block RAM (and therefore corresponds to a RR bit of TRR register).

TC – Host Actions

1. Poll TRR register to check current pending transmission requests.
2. Poll TCR register to check current pending cancellation requests.
 - a. Transmit Cancellation for a buffer (TXB_i) can be requested only if there is corresponding pending transmission request set in TRR register.
 - b. If there is already a pending cancellation request for TXB_i, then no action is required and Host should wait (by poll/interrupt) until the core serves cancellation request for TXB_i.

3. If TXB_i buffer has pending transmission request but no pending cancellation request, then Transmit Cancellation can be requested as follows:
 - a. Enable interrupt generation if/as required.
 - b. Set required CR bit/bits of the TCR register. Host can request cancellation of many buffers in one write to the TCR register.
 - c. Wait for interrupt or poll the TCR register to know the cancellation status.
4. The CAN FD clears bit in the TCR register when respective buffer transmit cancellation request is completed.
5. The CAN FD also clears corresponding bit in the TRR register when cancellation is performed.

TC – Core Actions

1. The CAN FD performs cancellation of a buffer immediately except:
 - a. When the buffer is locked by the Transfer Layer for transmission on the CAN bus. In this case, cancellation is performed at the end of transmission irrespective whether transmission is successful or failure (arbitration loss or error).
 - b. When the core is performing a scheduling round to find out the next buffer for transmission. In this case, cancellation is performed after scheduling round is over.
2. The CAN FD clears respective bits in the TCR and TRR registers when cancellation is done.
3. If enabled through IETCS and IER, the TXRCS bit is set in ISR register (when the core clears the bit in TCR register) and interrupt is generated.

Reception (Sequential Buffer/FIFO Mode)

Whenever a new message (that passes the required filtering) is stored into receive FIFO, the core updates Fill Level field of FSR register fields and sets RXOK bit in the ISR register.

RX – Host Actions

1. If required, program the WMR (Full Water Mark) register and set the corresponding Watermark Full interrupt (Watermark field can be set/changed only when CEN = 0).
2. If required, enable RXOK and RX Overflow interrupt generation.
3. New Message availability (poll/interrupt) can be found by polling FSR register or by Watermark Full interrupt indication.
4. Read a new message starting from Read Index location (given in FSR register field).

```

RI = 0x0 -> Next message read starts from location = 0x1100
RI = 0x1 -> Next message read starts from location = 0x1148
:
RI = 0x1F -> Next message read starts from location = 0x19B8
  
```

5. After reading the message, write the FSR register by setting the IRI bit to 1. This enables the core to increment the Read Index field by +1 and updates the Fill Level in the FSR register. If Fill level is 0, setting IRI bit has no effect.
6. Repeat steps 3 through 5 until all messages are read.

RX – Core Actions

1. When a message is successfully received, the core writes the timestamp and matched filtered index field of the received message element.
2. The CAN FD increments the Fill Level field of the FSR register by 1 after every successful receive (without error and message passes filtering scheme).
3. Fill Level is also updated by the core after the Host writes IRI bit as 1 of the FSR register.

Filtering

Each acceptance filter pair has an Acceptance Filter Mask Register and an Acceptance Filter ID Register. Each filter pair has a corresponding UAF bit to control enable/disable. Acceptance filtering is performed in the following sequence:

1. The incoming Identifier is masked with the bits in the Acceptance Filter Mask Register.
2. The Acceptance Filter ID Register is also masked with the bits in the Acceptance Filter Mask Register.
3. Both resulting values are compared.
4. If both these values are equal, then the message is stored in receive FIFO.
5. Acceptance Filtering is processed by each of the defined filters. If the incoming identifier passes through any acceptance filter, then the message is stored, or else discarded.
6. If all UAF bits are set to 0, then the received messages are not stored in RXFIFO.

Note:

- a. Filter pair registers are stored in the block RAM memory. Host has to ensure each used filter pair is properly initialized. Asserting a software reset or system reset does not clear these register contents.
- b. Host must initialize/update/change filter pair only when the corresponding UAF is 0.

Reception (Mailbox Mode)

Each receive message element in the RX block RAM has two bits. HCBx bit gives the Host control to make a Buffer Active or Inactive and CSBx bit gives the core status (Buffer is Full). Together, these two bits give buffer status as Inactive, Active, Full, or Invalid. These bits are described in detail in the Receive Buffer Control Status (RCS) registers.

Each receive message element also has one ID Mask Register in the RX block RAM.

RX – Host Actions

1. Host prepares one or more receive buffers for message reception as follows:
 - a. If a Buffer is Inactive then,
 - Write the required ID into the ID field of Receive Buffer_i element in the block RAM.
 - Write the corresponding Mask register for Receive Buffer_i element in the block RAM.
 - b. If a Buffer is in Active/Full/Invalid state and Host wants to change its ID/Mask then,
 - Change buffer state to Inactive.
 - Write the required ID into the ID field of Receive Buffer_i element in the block RAM.
 - Write the corresponding Mask register for Receive Buffer_i element in the block RAM.
2. Enable interrupt generation as required.
3. Change the buffer status from **Inactive to Active**. Host can change Inactive to Active status for many buffers in one write to the RCS register.
4. Wait for interrupt or poll the RCS registers to know the buffer status.
5. Host can read message from the RX block RAM which has **Full** status. After the read, Host can change the buffer status back to Active (if you wish to continue with the same ID/Mask) or Inactive (if you wish to reprogram the ID/Mask).

Note: The CAN FD can read ID field of Full buffer for **current** match process so the Host should not change the Buffer ID when status is Full.

6. If required, Host can discard the message without reading by changing the status from Full to Active/Inactive.

Note: Whenever a new message is received successfully and written in any of the receive buffers, the RXOK bit is set in the ISR register and RXLRM_BI field captures the mailbox index where the message was stored. There is a provision to get interrupt for any selective buffer or buffers. In case of overflow, the RXOFLW bit is set in the ISR. The RXOFLW_BI field in the ISR register captures overflow index corresponding to the last overflow event and maintain it until the RXOFLW bit is cleared.

RX – Core Actions

1. The CAN FD searches Active buffers starting from lowest index to match incoming message ID. When no match is found in Active Empty buffers but match is found in Full buffer, the overflow condition is generated and matching buffer index is captured in the ISR. When there is no match in full buffers also, the message is discarded without indication.

2. The CAN FD changes buffer status to **Full** when the message is received without errors and is timestamped. In case of errors (for example, CRC error), the buffer status remains Active.
3. If enabled through IERBF and IER, the RXRBF bit is set in the ISR register (when the core changes RCS buffer status to Full) and interrupt is generated.

Notes

The CAN FD accesses the RX block RAM message element space of a buffer based on the buffer status.

- a. Active: Read access for ID and Mask. Write access for received message.
Read and Write access for timestamp.
- b. Full: Read access for ID and Mask to find overflow condition.

Host should respect access rule to avoid memory collisions. For example,

- a. If buffer status is Active, then do not access the corresponding block RAM space.
- b. If buffer status is Full, then do not change the respective ID and Mask.



IMPORTANT: *Because ID and Mask registers are in the block RAM, asserting a software reset or system reset does not clear these register contents. Host has to properly initialize them before use.*

Notes on ID Match Process

1. It is expected that the AXI4 clock frequency is fast enough so that match process finished before the frame reception is completed on the CAN bus.
2. If the core is not able to complete the match process before EOF sixth bit, it set RX MNF bit in the ISR register.
3. RX Mailbox control logic in Object layer waits for Transfer layer to signal RXOK (EOF sixth bit) before setting corresponding RCSx(i) bit to indicate the RX Buffer full.
4. It is possible for the CAN bus to encounter any error after the Data field of the current frame (to sixth bit of EOF field). In this situation, the Mailbox control logic does not set RCSx(i) bit to indicate RX Buffer full. Note that the RX block RAM matched element might show partial or full data update.
5. ID received with a message is written into the ID field of the Mailbox buffer.

Example 1:

```
Host programmed ID & Mask:
ID reg      : 0x1234_5678
Mask reg    : 0xFFFF_FF00
```

Incoming IDs 0x1234_56xx will match this mailbox buffer.

```
Incoming message had the ID 0x1234_56AB.  
Then after message reception, ID reg will be as:  
ID reg   : 0x1234_56AB  
Mask reg : 0xFFFF_FF00
```

Example 2:

```
Host programmed ID & Mask:  
ID reg   : 0xABCD_1234  
Mask reg : 0000_0000  
Because the mask is 0x0, any incoming IDs would match this buffer.  
Incoming message had the ID 0x5678_4321.  
Then after message reception, ID reg will be as:  
ID reg   : 0x5678_4321  
Mask reg : 0x0000_0000
```

Clocking

The CAN FD has two clocks: CAN clock and AXI4 clock. These two clocks can be asynchronous or synchronous to each other.

When the two clocks are asynchronous, it is required that AXI4 clock has greater frequency than CAN clock.

- CAN clock frequency can be 8 to 80 MHz.
- AXI4 clock frequency can be 8 to 200 MHz.

Note: When implementing the protocol in hardware, Robert Bosch recommends using the CAN clock at 20, 40, or 80 MHz. For more information, see *Robustness of a CAN FD Bus System – About Oscillator Tolerance and Edge Deviations* [Ref 4].



IMPORTANT: CAN clock must be compliant with the oscillator tolerance range given in the relevant standards.

Resets

The CAN FD can be reset by using the system (hard) reset input `s_axi_aresetn` or through software controlled reset provided in the SRST bit in SRR register. Both system and software reset sources, resets the complete CAN FD core (that is, both the Object layer and the Transfer layer).

Note that Transfer layer remains in reset as long as the CEN (CAN enable) bit in the SRR register is 0 (that is, CEN bit is third source of reset for Transfer layer). If CEN bit is cleared during core operation, Xilinx recommends resetting the core so that operation starts over.

Object layer is reset synchronously with respect to the above mentioned two sources (that is, internal reset assertion and deassertion to Object layer is done synchronous to AXI4 clock).

Transfer layer is reset asynchronously with respect to the above mentioned three sources (that is, internal reset assertion to Transfer layer is asynchronous whereas reset deassertion is achieved synchronously with respect to the CAN clock). When Transfer layer is reset, the core loses synchronization with the CAN bus and drives the recessive bit on the TX line.

System (Hard) Reset

The system (hard) reset can be enabled by driving a 0 on the `s_axi_aresetn` input. All of the configuration registers are reset to their default values. Read/write transactions cannot be performed when the `s_axi_aresetn` input is 0. When system reset is applied, the ongoing AXI4-Lite transaction might terminate abruptly.

In general, system reset pulse should be greater than at least two CAN clock cycles.



IMPORTANT: *Because the Transfer layer is reset asynchronously, ensure that the reset line is glitch-free.*

Software Reset

The software reset can be enabled by writing a 1 to the SRST bit in the SRR register. When a software reset is asserted, all the configuration registers including the SRST bit in the SRR register are reset to their default values. Read/write transactions can be performed starting at the next valid transaction window (which starts after eight `s_axi_aclk` cycles after asserting the software reset).



IMPORTANT: *Note that contents of the TX block RAM and RX block RAM are not cleared when the any reset is applied.*

Interrupts

The core has a single interrupt output to indicate an interrupt. Interrupts are indicated by asserting the `ip2bus_intrevent` line (transition of the line from a logic 0 to a logic 1). Interrupt assertion and deassertion is synchronous to the AXI4 clock.

Events such as errors on the bus line, message transmission and reception and various other conditions can generate interrupts. During power on, the interrupt line is driven Low.

The Interrupt Status Register (ISR) indicates the interrupt status bits. These bits are set and cleared regardless of the status of the corresponding bit in the Interrupt Enable Register (IER). The IER handles the interrupt-enable functionality. The clearing of a status bit in the ISR is handled by writing a 1 to the corresponding bit in the Interrupt Clear Register (ICR).

Two conditions cause the interrupt line to be asserted:

- If a bit in the ISR is 1 and the corresponding bit in the IER is 1.
- Changing an IER bit from a 0 to 1 when the corresponding bit in the ISR is already 1.

Two conditions cause the interrupt line to be deasserted:

- Clearing a 1 bit in the ISR (by writing a 1 to the corresponding bit in the ICR provided the corresponding bit in the IER is 1).
- Changing an IER bit from 1 to 0 when the corresponding bit in the ISR is 1.

When both deassertion and assertion conditions occur simultaneously, the interrupt line is deasserted first, and is reasserted if the assert condition remains TRUE.

Design Flow Steps

This chapter describes customizing and generating the core, constraining the core, and the simulation, synthesis and implementation steps that are specific to this IP core. More detailed information about the standard Vivado® design flows and the Vivado IP integrator can be found in the following Vivado Design Suite user guides:

- *Vivado Design Suite User Guide: Designing IP Subsystems using IP Integrator* (UG994) [Ref 7]
- *Vivado Design Suite User Guide: Designing with IP* (UG896) [Ref 5]
- *Vivado Design Suite User Guide: Getting Started* (UG910) [Ref 8]
- *Vivado Design Suite User Guide: Logic Simulation* (UG900) [Ref 9]

Customizing and Generating the Core

This section includes information about using Xilinx® tools to customize and generate the core in the Vivado Design Suite.

If you are customizing and generating the core in the IP integrator, see the *Vivado Design Suite User Guide: Designing IP Subsystems using IP Integrator* (UG994) [Ref 7] for detailed information. IP integrator might auto-compute certain configuration values when validating or generating the design. To view the parameter value you can run the `validate_bd_design` command in the Tcl console.

You can customize the IP for use in your design by specifying values for the various parameters associated with the core using the following steps:

1. Select the IP from the Vivado IP catalog.
2. Double-click the selected IP or select the **Customize IP** command from the toolbar or right-click menu.

For details, see the *Vivado Design Suite User Guide: Designing with IP* (UG896) [Ref 5] and the *Vivado Design Suite User Guide: Getting Started* (UG910) [Ref 8].

Note: Figure in this chapter is an illustration of the CAN FD in the Vivado Integrated Design Environment (IDE). This layout might vary from the current version.

Figure 4-1 shows the main CAN FD customization screen, which is used to set the component name and core options, described in the following sections.

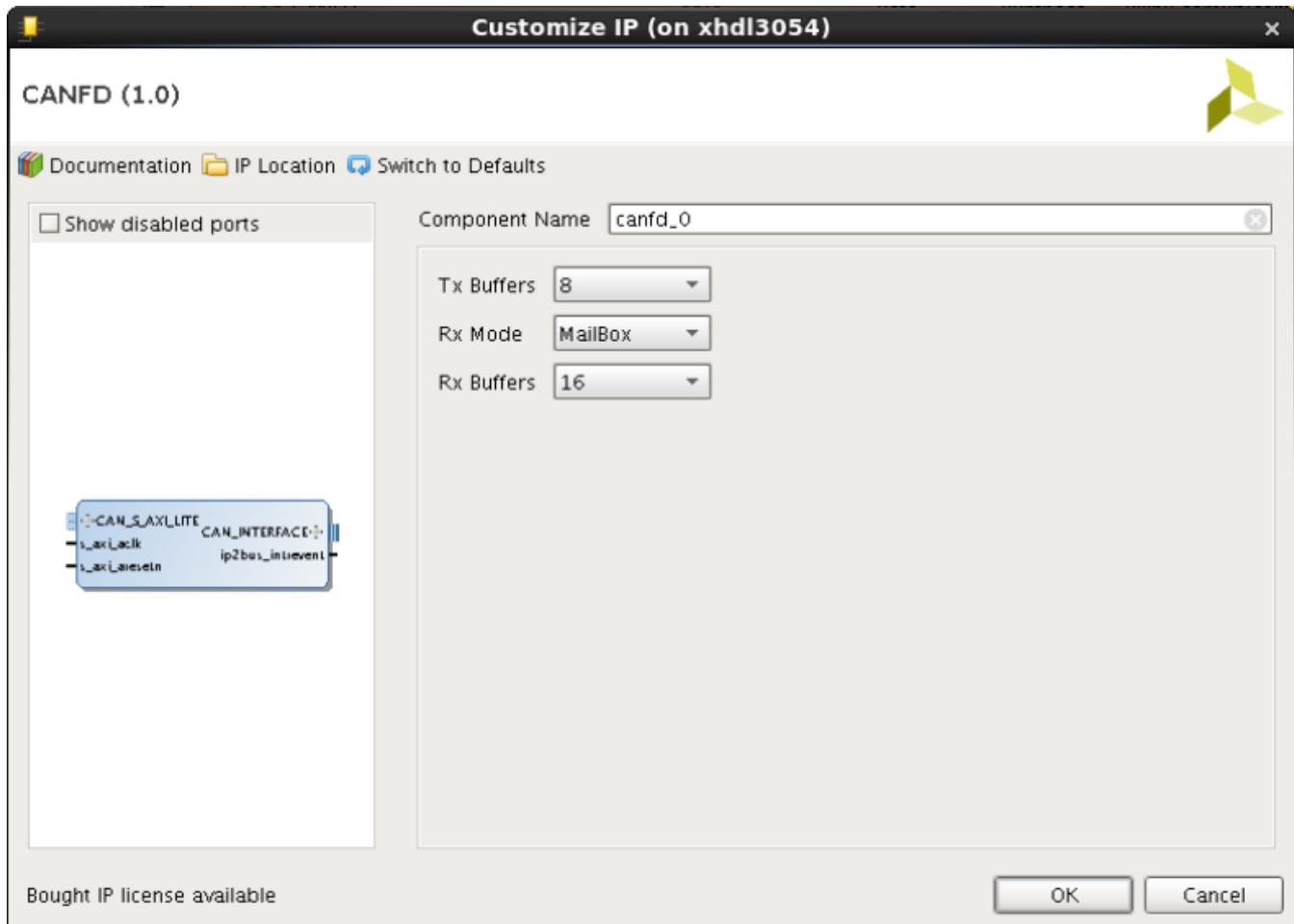


Figure 4-1: Customize IP Screen

- **Component Name** – The Component Name is the base name of the output files generated for this core.



IMPORTANT: The name must begin with a letter and be composed of the following characters: a to z, A to Z, 0 to 9 and "_."

- **TX Buffers** – This parameter decides the number of TX buffers to be present in the current IP instance, valid values are 8, 16, and 32.
- **RX Mode** – This parameter decides the Message Reception mode used in the current IP instance, valid values are:
 - **Sequential (First-In-First-Out)** – Core stores received messages in RX block RAM in sequential manner in 32-deep message space based on the Program ID matching and provides sequential access to host.

- **MailBox** – Received messages are stored in buffers based on the ID programmed in the respective buffer. ID match search starts from RX buffers 0 and incoming message can be stored in any receive buffers based on the ID match result. Host can access stored messages in any random order.
- **RX Buffers** – This parameter decides the number of RX buffers enabled for current IP instance and is valid/applicable when RX Mode is selected as MailBox. Valid values are 16, 32, and 48.



IMPORTANT: By default, the CAN FD core is generated to support the ISO CAN FD format. You can generate the core that supports non-ISO CAN FD frame format by:

a. Enter the following command in the Tcl console in Vivado Integrated Design Environment:

```
set_property -dict [list CONFIG.C_IS_NISO {1}] [get_ips canfd_xyz]
```

b. Enter the following command in IP integrator:

```
set_property -dict [list CONFIG.C_IS_NISO {1}] [get_bd_cells canfd_xyz]
```

Where *canfd_xyz* is the component name in Vivado IDE or IP integrator.

User Parameters

Table 4-1 shows the relationship between the fields in the Vivado IDE and the User Parameters (which can be viewed in the Tcl console).

Table 4-1: Vivado IDE Parameter to User Parameter Relationship

Vivado IDE Parameter/Value	User Parameter/Value	Default Value
TX Buffers Valid values are 8, 16, and 32.	NUM_OF_TX_BUF Valid values are 8, 16, and 32.	8
RX Mode Valid values are: • Sequential • MailBox	RX_MODE Valid values are: 0 = Sequential 1 = MailBox	0
RX Buffers Valid values are 16, 32, and 48.	NUM_OF_RX_MB_BUF Valid values are 16, 32, and 48.	16 Note: This parameter is valid for RX MailBox mode.

Output Generation

For details, see the *Vivado Design Suite User Guide: Designing with IP* (UG896) [Ref 5].

Constraining the Core

This section contains information about constraining the core in the Vivado Design Suite.

Required Constraints

CAN and AXI4 clocks are treated as asynchronous to each other and the core writes out appropriate clock domain crossing constraints.

Table 4-2 shows the files delivered in the `<project_name>/<project_name>.srcs/source_1/ip/<component_name>/` directory for core constraints.

Table 4-2: Core Constraint Files

Name	Description
<code><component_name>.xdc</code>	Core constraints

Device, Package, and Speed Grade Selections

This section is not applicable for this IP core.

Clock Frequencies

CAN clock and AXI4 clock can be asynchronous or clocked from the same source. When both clocks are asynchronous to each other, then it is required that AXI4 clock runs at higher frequency.

- CAN clock frequency can be 8 to 80 MHz
- AXI4 clock frequency can be 8 to 200 MHz

Clock Management

This section is not applicable for this IP core.

Clock Placement

This section is not applicable for this IP core.

Banking

This section is not applicable for this IP core.

Transceiver Placement

This section is not applicable for this IP core.

I/O Standard and Placement

This section is not applicable for this IP core.

Simulation

For comprehensive information about Vivado simulation components, as well as information about using supported third-party tools, see the *Vivado Design Suite User Guide: Logic Simulation* (UG900) [Ref 9].



IMPORTANT: For cores targeting 7 series or Zynq-7000 AP SoC devices, UNIFAST libraries are not supported. Xilinx IP is tested and qualified with UNISIM libraries only.

Synthesis and Implementation

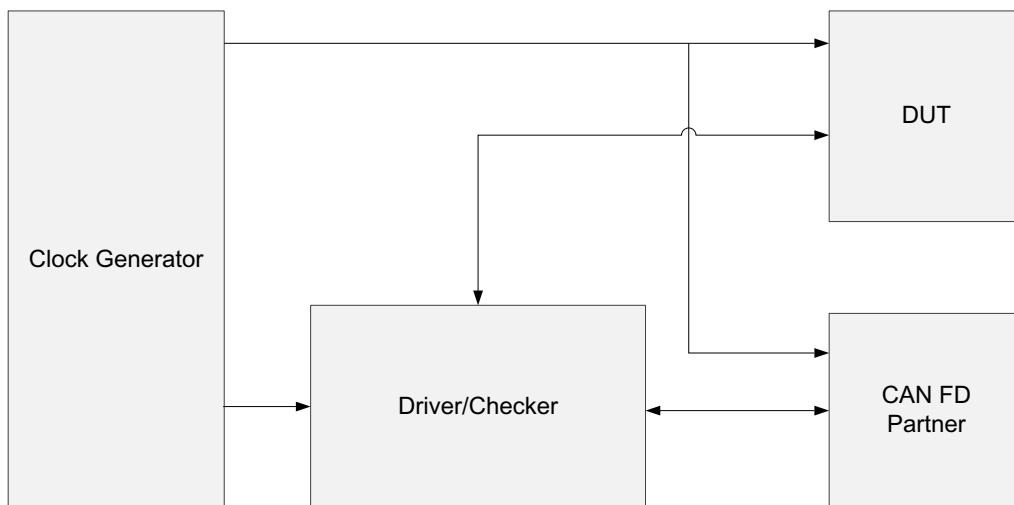
For details about synthesis and implementation, see the *Vivado Design Suite User Guide: Designing with IP* (UG896) [Ref 5].

Example Design

Overview

This chapter contains information about the example design provided in the Vivado® Design Suite environment.

The top module instantiates all components of the core and example design that are needed to implement the design in hardware, as shown in [Figure 5-1](#). This includes clock generator, traffic generator, and checker modules.



X14810-102215

Figure 5-1: Example Design

This example design includes the following modules:

- **Clock Generator** – Clocking wizard is used to generate two clocks, one for register interface (AXI4-Lite) and the other for CAN FD clock.
- **Driver-Checker** – AXI4 traffic generator in system test mode is used to configure the DUT and PARTNER to program and to check the status.
- **CAN FD Partner** – CAN FD IP in default mode to receive the packets from DUT and to transmit Packets to DUT.



IMPORTANT: *The XDC delivered with the example design is configured for the KC705 board. The I/O constraints are commented by default. Un-comment them before implementing the example design on the KC705 board.*

Simulating the Example Design

For more information on Simulation, the *Vivado Design Suite User Guide: Logic Simulation* (UG900) [Ref 9].

Simulation Results

The simulation script compiles the CAN FD example design and supporting simulation files. It then runs the simulation and checks to ensure that it completed successfully.

If the test passes, then the following message is displayed:

```
Test Completed Successfully
```

If the test fails, then the following message is displayed:

```
ERROR: Test Failed
```

If the test hangs, then the following message is displayed:

```
ERROR: Test did not complete (timed-out)
```

Example Sequence

The demonstration test bench performs these tasks:

- The Baud Rate Prescaler register and Bit Timing registers are written for DUT and Partner.
- Programs ID Filter and Masks in Partner.
- Programs ID Filters and Masks in DUT (programming sequence varies based on FIFO or MailBox mode).
- Acceptance filter enabled in both nodes (applicable to DUT if configured in FIFO mode).
- Enables the required Interrupts in both CAN FD nodes.
- Software Reset register is written to enable the CEN bit which enables the DUT and Partner.
- Writes two packets into DUT TX buffers (one CAN and other CAN FD). This demonstrates priority wise transmission of packet in IP.

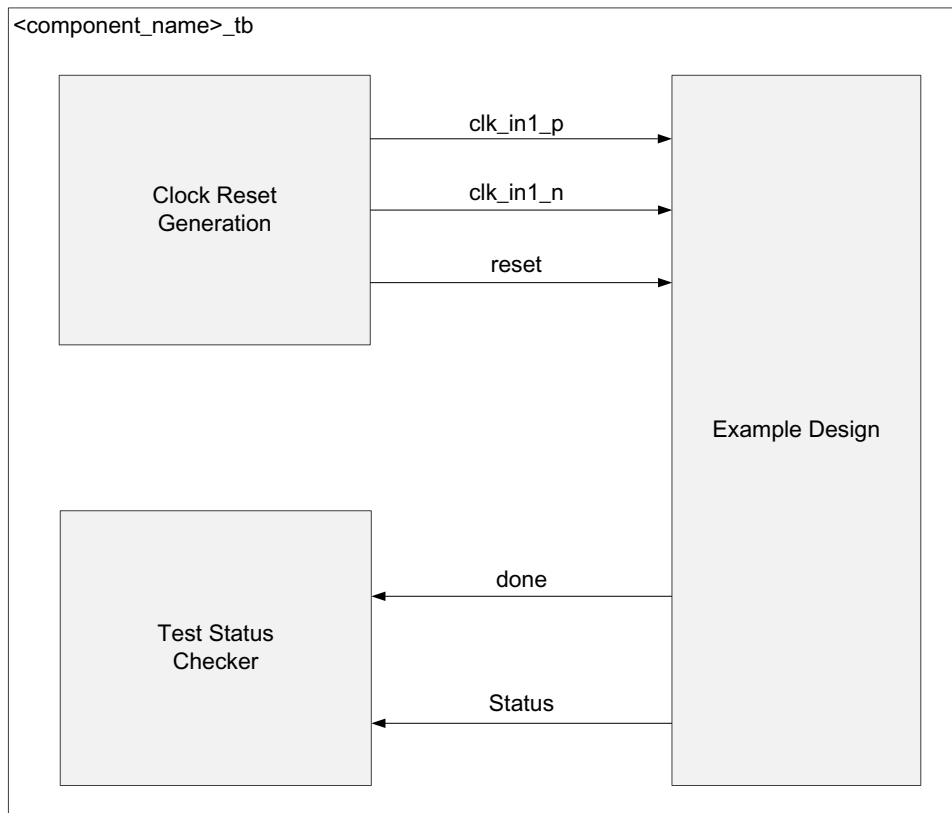
- Programs Partner to transmit two packets (one CAN and other CAN FD with Extended IDs).
- Enables respective bits in TRR register in DUT and Partner. This demonstrate arbitration on the CAN bus.
- Waits for Partner to Receive two packets, compares data for correct reception (DUT packets are of higher priority than Partner).
- Waits for DUT to receive two packets.
- If DUT is configured in FIFO mode, the packets are read from sequential locations of the RX buffers and the packet comparison is done.
- If DUT is configured in Mailbox mode, the packets are read from Buffers enabled and compared for correct reception.

Note: CAN FD frames are transmitted with a dual bit rate.

Test Bench

This chapter contains information about the test bench provided in the Vivado® Design Suite.

Figure 6-1 shows the test bench for the CAN FD example design. The top-level test bench generates 200 MHz clock and drives an initial reset to the example design.



X14809-080315

Figure 6-1: Test Bench

Verification, Compliance, and Interoperability

Compliance Testing

Xilinx® CAN FD core is tested with the Vector CAN FD hardware. The core goes through compliance testing when ISO CAN FD Test Specifications are formally released and available.

Table A-1: Tools

Vector Tools	Xilinx Tools
Vector Driver Setup 9.1.0	Vivado 2015.4
CANalyzer Pro v8.2 software	KC705 board with Soft CAN FD core v1.0 and standalone software driver
VN1630A hardware	TJA1040 (External PHY)



IMPORTANT: For proper inter-operation, all of the CAN FD nodes in the network must be programmed to have the following:

- a. Same Arbitration Phase bit rate
- b. Same Data Phase bit rate
- c. Same Arbitration Phase Sample Point Position
- d. Same Data Phase Sample Point Position

Requirements (c) and (d) come from the fact that CAN FD nodes perform bit rate switching at the respective sample point. For more information on the CAN FD protocol and other recommendations, see the standard specification and other white paper references in the [References, page 89](#).

If any of the listed requirements are not met, various frame errors can be seen when performing the CAN FD communication.

Migrating and Upgrading

This appendix contains information about upgrading to a recent version of the IP core.

Migrating to the Vivado Design Suite

For information on migrating to the Vivado® Design Suite, see the *ISE to Vivado Design Suite Migration Guide* (UG911) [\[Ref 10\]](#).

Upgrading in the Vivado Design Suite

This section does not apply to this core.

Parameter Changes

No parameter changes.

Port Changes

No port changes.

Debugging

This appendix includes details about resources available on the Xilinx® Support website and debugging tools.



TIP: *If the IP generation halts with an error, there might be a license issue. See [License Checkers in Chapter 1](#) for more details.*

Finding Help on Xilinx.com

To help in the design and debug process when using the CAN FD, the [Xilinx Support web page](#) contains key resources such as product documentation, release notes, answer records, information about known issues, and links for obtaining further product support.

Documentation

This product guide is the main document associated with the CAN FD. This guide, along with documentation related to all products that aid in the design process, can be found on the [Xilinx Support web page](#) or by using the Xilinx Documentation Navigator.

Download the Xilinx Documentation Navigator from the [Downloads page](#). For more information about this tool and the features available, open the online help after installation.

Answer Records

Answer Records include information about commonly encountered problems, helpful information on how to resolve these problems, and any known issues with a Xilinx product. Answer Records are created and maintained daily ensuring that users have access to the most accurate information available.

Answer Records for this core can be located by using the Search Support box on the main [Xilinx support web page](#). To maximize your search results, use proper keywords such as:

- Product name
- Tool message(s)
- Summary of the issue encountered

A filter search is available after results are returned to further target the results.

Master Answer Record for the CAN FD

AR: [65142](#)

Technical Support

Xilinx provides technical support at the [Xilinx Support web page](#) for this LogiCORE™ IP product when used as described in the product documentation. Xilinx cannot guarantee timing, functionality, or support if you do any of the following:

- Implement the solution in devices that are not defined in the documentation.
- Customize the solution beyond that allowed in the product documentation.
- Change any section of the design labeled DO NOT MODIFY.

To contact Xilinx Technical Support, navigate to the [Xilinx Support web page](#).

Debug Tools

There are many tools available to address CAN FD design issues. It is important to know which tools are useful for debugging various situations.

Vivado Design Suite Debug Feature

The Vivado® Design Suite debug feature inserts logic analyzer and virtual I/O cores directly into your design. The debug feature also allows you to set trigger conditions to capture application and integrated block port signals in hardware. Captured signals can then be analyzed. This feature in the Vivado IDE is used for logic debugging and validation of a design running in Xilinx devices.

The Vivado logic analyzer is used with the logic debug LogiCORE IP cores, including:

- ILA 2.0 (and later versions)
- VIO 2.0 (and later versions)

See the *Vivado Design Suite User Guide: Programming and Debugging* (UG908) [\[Ref 11\]](#).

Hardware Debug

These are some common issues that might be encountered.

1. The desired baud rate is not seen on the TX/RX lines.

Action: Ensure that the desired values are written to the BRPR and BTR registers. The actual value is one more than the value written into the registers.

2. The core is not achieving CONFIG state after it is enabled.

Action: After the occurrence of 11 consecutive recessive bits, the CAN FD core clears the CONFIG bit and sets the appropriate bit in the Status register. Ensure that 11 consecutive recessive bits are seen by the core.

3. The core is enabled and the desired BRPR/BTR values are written but the lines are not toggling.

Action: Ensure that the `can_clk` port is connected to the desired clock source.

4. CAN FD core is generating various frame errors in the network with other nodes when CAN FD frames are used.

Action: Ensure the following for proper inter-operation. All CAN FD nodes in the network must be programmed to have the following:

- a. Same Arbitration Phase bit rate
- b. Same Data Phase bit rate
- c. Same Arbitration Phase Sample Point Position
- d. Same Data Phase Sample Point Position

Requirements (c) and (d) come from the fact that CAN FD nodes perform bit rate switching at the respective sample point. For more information on the CAN FD protocol and other recommendations, see the standard specification and other white paper references in the [References, page 89](#).

If any of the listed requirements are not met, various frame errors can be seen when performing the CAN FD communication.

Interface Debug

AXI4-Lite Interfaces

Read from a register that does not have all 0s as a default to verify that the interface is functional. See [Figure C-1](#) for a read timing diagram.

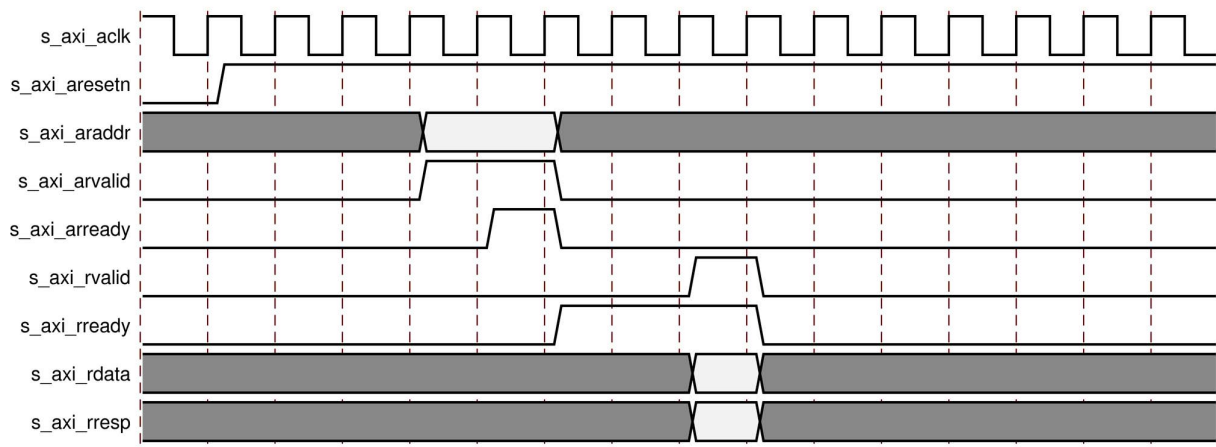


Figure C-1: AXI4-Lite Interface Read Timing Diagram

Output `s_axi_arready` asserts when the read address is valid, and output `s_axi_rvalid` asserts when the read data/response is valid. If the interface is unresponsive, ensure that the following conditions are met:

- The `s_axi_aclk` and `aclk` inputs are connected and toggling.
- The interface is not being held in reset, and `s_axi_areset` is an active-Low reset.
- The interface is enabled, and `s_axi_aclken` is active-High (if used).
- The main core clocks are toggling and that the enables are also asserted.
- If the simulation has been run, verify in simulation and/or in the Vivado Design Suite debug feature capture that the waveform is correct for accessing the AXI4-Lite interface.

Additional Resources and Legal Notices



IMPORTANT: *It is required to have a valid Bosch CAN FD protocol license before selling a device containing the Xilinx CAN FD IP core.*

Xilinx Resources

For support resources such as Answers, Documentation, Downloads, and Forums, see [Xilinx Support](#).

References

These documents provide supplemental material useful with this product guide:

1. ISO 11898-1/2015: Road Vehicles - Controller Area Network (CAN) – Part-1: Data link layer and physical signalling
2. *CAN with Flexible Data-Rate Specification version v1.0*, Robert Bosch GmbH
3. *CAN version 2.0A and B Specification*, Robert Bosch GmbH
4. Mutter, Dr. Arthur. *Robustness of a CAN FD Bus System – About Oscillator Tolerance and Edge Deviations*, Proceedings of the 14th international CAN Conference, Paris, France, 2013
5. *Vivado Design Suite User Guide: Designing with IP* ([UG896](#))
6. *Vivado AXI Reference Guide* ([UG1037](#))
7. *Vivado Design Suite User Guide: Designing IP Subsystems using IP Integrator* ([UG994](#))
8. *Vivado Design Suite User Guide: Getting Started* ([UG910](#))
9. *Vivado Design Suite User Guide: Logic Simulation* ([UG900](#))
10. *ISE to Vivado Design Suite Migration Guide* ([UG911](#))
11. *Vivado Design Suite User Guide: Programming and Debugging* ([UG908](#))
12. *Vivado Design Suite User Guide: Implementation* ([UG904](#))

Revision History

The following table shows the revision history for this document.

Date	Version	Revision
10/05/2016	1.0	<ul style="list-style-type: none"> Added a note in Register Space section under Chapter 2, Product Specification. Updated Automotive Applications Disclaimer in Please Read: Important Legal Notices section.
11/18/2015	1.0	Initial Xilinx release.

Please Read: Important Legal Notices

The information disclosed to you hereunder (the "Materials") is provided solely for the selection and use of Xilinx products. To the maximum extent permitted by applicable law: (1) Materials are made available "AS IS" and with all faults, Xilinx hereby DISCLAIMS ALL WARRANTIES AND CONDITIONS, EXPRESS, IMPLIED, OR STATUTORY, INCLUDING BUT NOT LIMITED TO WARRANTIES OF MERCHANTABILITY, NON-INFRINGEMENT, OR FITNESS FOR ANY PARTICULAR PURPOSE; and (2) Xilinx shall not be liable (whether in contract or tort, including negligence, or under any other theory of liability) for any loss or damage of any kind or nature related to, arising under, or in connection with, the Materials (including your use of the Materials), including for any direct, indirect, special, incidental, or consequential loss or damage (including loss of data, profits, goodwill, or any type of loss or damage suffered as a result of any action brought by a third party) even if such damage or loss was reasonably foreseeable or Xilinx had been advised of the possibility of the same. Xilinx assumes no obligation to correct any errors contained in the Materials or to notify you of updates to the Materials or to product specifications. You may not reproduce, modify, distribute, or publicly display the Materials without prior written consent. Certain products are subject to the terms and conditions of Xilinx's limited warranty, please refer to Xilinx's Terms of Sale which can be viewed at <http://www.xilinx.com/legal.htm#tos>; IP cores may be subject to warranty and support terms contained in a license issued to you by Xilinx. Xilinx products are not designed or intended to be fail-safe or for use in any application requiring fail-safe performance; you assume sole risk and liability for use of Xilinx products in such critical applications, please refer to Xilinx's Terms of Sale which can be viewed at <http://www.xilinx.com/legal.htm#tos>.

AUTOMOTIVE APPLICATIONS DISCLAIMER

AUTOMOTIVE PRODUCTS (IDENTIFIED AS "XA" IN THE PART NUMBER) ARE NOT WARRANTED FOR USE IN THE DEPLOYMENT OF AIRBAGS OR FOR USE IN APPLICATIONS THAT AFFECT CONTROL OF A VEHICLE ("SAFETY APPLICATION") UNLESS THERE IS A SAFETY CONCEPT OR REDUNDANCY FEATURE CONSISTENT WITH THE ISO 26262 AUTOMOTIVE SAFETY STANDARD ("SAFETY DESIGN"). CUSTOMER SHALL, PRIOR TO USING OR DISTRIBUTING ANY SYSTEMS THAT INCORPORATE PRODUCTS, THOROUGHLY TEST SUCH SYSTEMS FOR SAFETY PURPOSES. USE OF PRODUCTS IN A SAFETY APPLICATION WITHOUT A SAFETY DESIGN IS FULLY AT THE RISK OF CUSTOMER, SUBJECT ONLY TO APPLICABLE LAWS AND REGULATIONS GOVERNING LIMITATIONS ON PRODUCT LIABILITY.

© Copyright 2015-2016 Xilinx, Inc. Xilinx, the Xilinx logo, Artix, ISE, Kintex, Spartan, Virtex, Vivado, Zynq, and other designated brands included herein are trademarks of Xilinx in the United States and other countries. All other trademarks are the property of their respective owners.