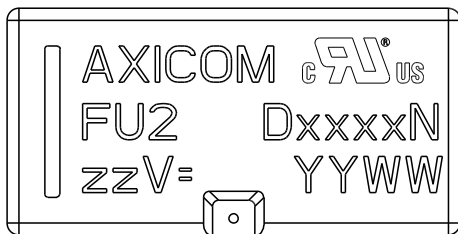
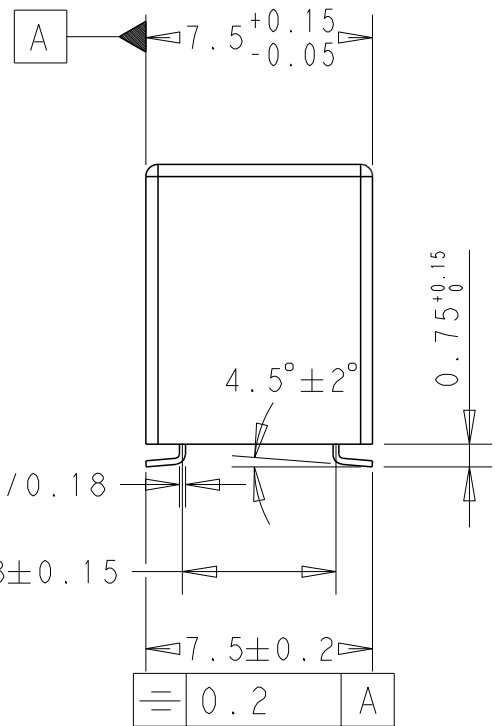
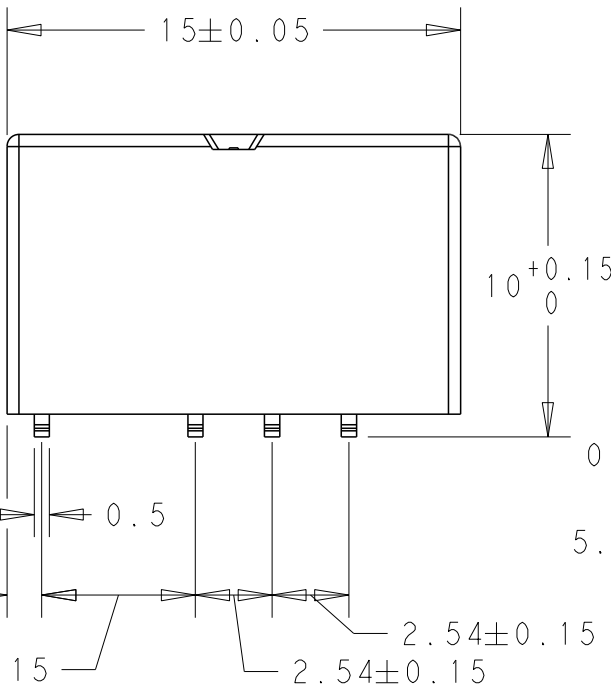
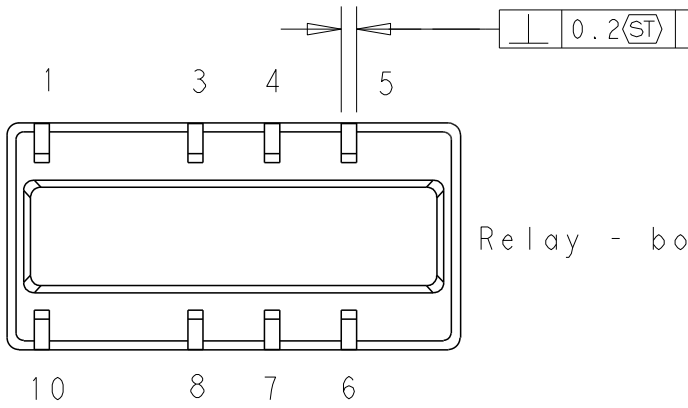


USED ON FU2 SMT short term.



Coplanarity < 0.100 mm

xxxx = Relay Type
 zz = Nominal Voltage
 YYWW = Date Code

DWG NO
1462036-1

AND AFFILIATES (TE). IT MAY NOT BE DISCLOSED TO ANYONE, OTHER THAN TE PERSONNEL, WITHOUT AUTHORIZATION FROM TE (www.TE.com).

A7	ECR-15-000926	20.1.15	VG	PH	DWN	31-Oct-97	CHK	31-Oct-97	APVD	31-Oct-97
A6	ECR-11-015637	17.7.13	MV	PH	CW	9196	EG	9192	HD9121	
A5	ECO-11-005150	21.3.11	RK	HMR	DIMENSIONS: mm			MATERIAL - - HT TR - -		
					TOLERANCES UNLESS OTHERWISE SPECIFIED:			TE Connectivity		
					0 PLC ±- 1 PLC ±0.1 2 PLC ±0.01 3 PLC ±0.005 4 PLC ±0.0001 ANGLES ±-					
LTR	REVISION RECORD	DATE	DWN	APVD	SURFACE TEXTURE			NAME		
THIS DRAWING IS A CONTROLLED DOCUMENT.					SCALE 4:1			DRAWING NO C - 1462036-1		
					SIZE/FMT A4			SHEET 1 OF 1		
								REV A7		