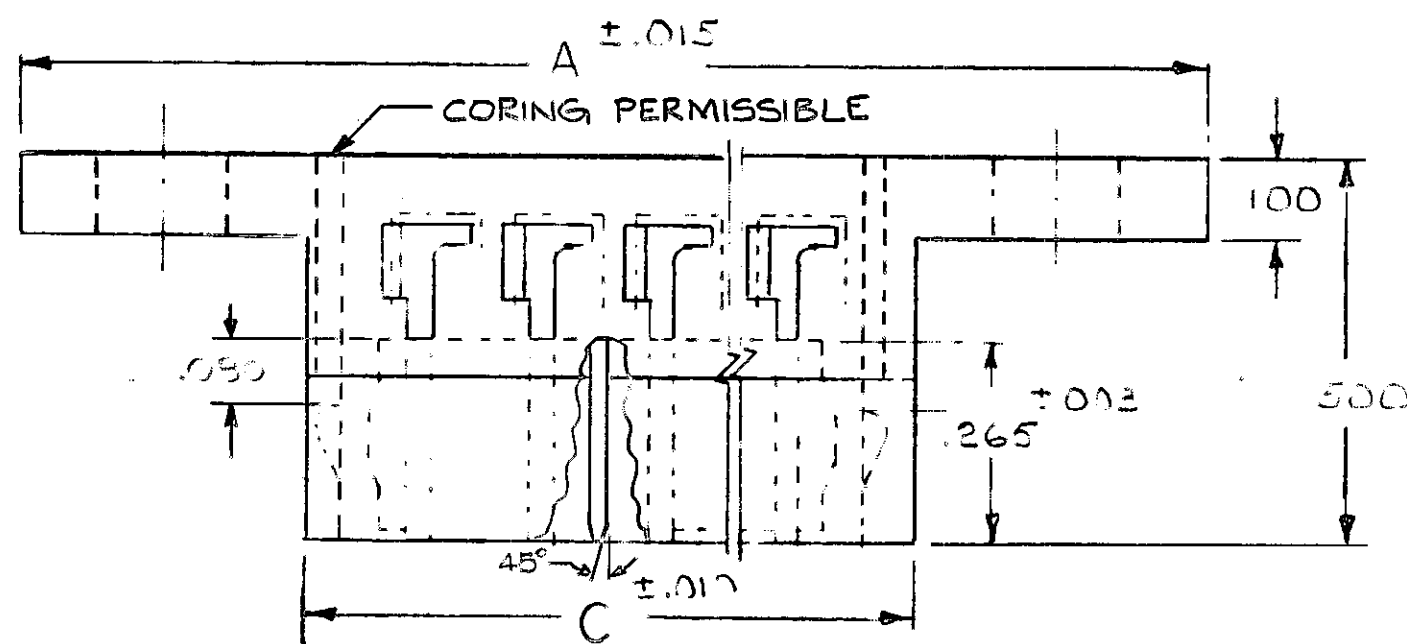


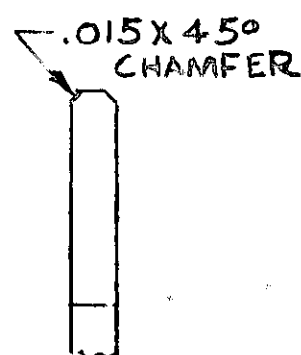
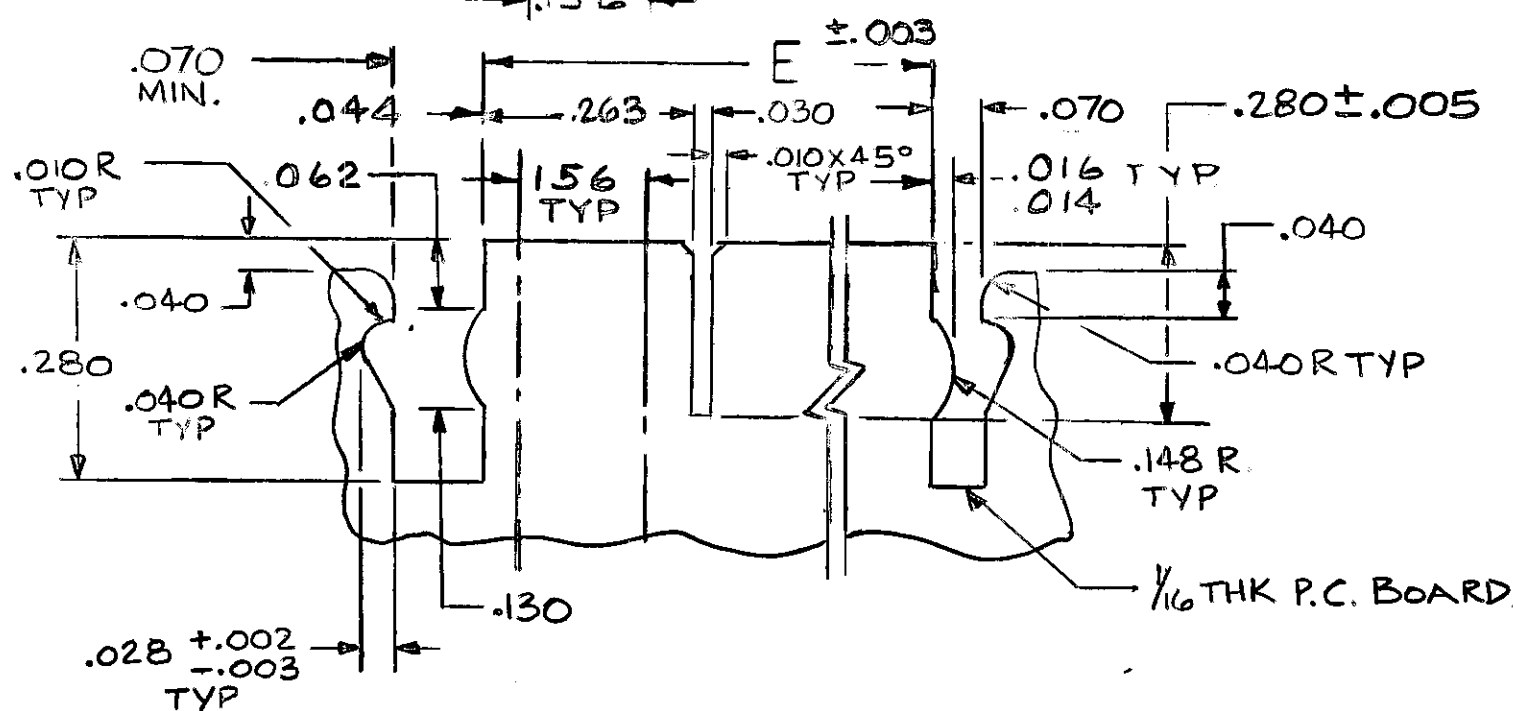
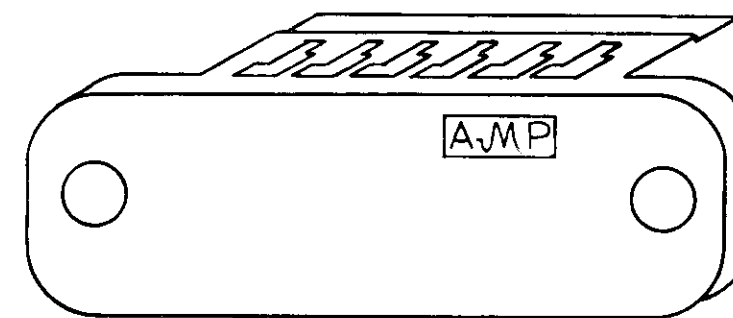
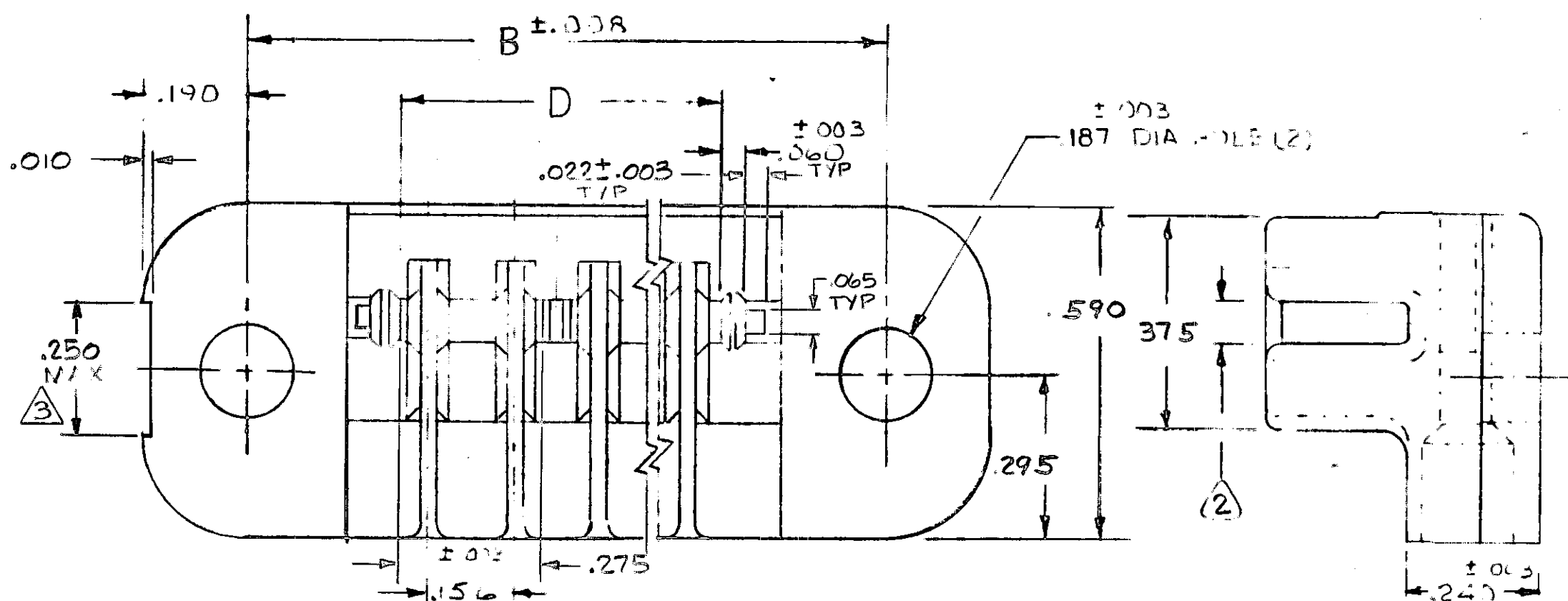
© COPYRIGHT 19 BY AMP INCORPORATED, HARRISBURG, PA.  
ALL INTERNATIONAL RIGHTS RESERVED. AMP INCORPORATED PRODUCTS  
COVERED BY U. S. AND FOREIGN PATENTS AND OR PATENTS PENDING.

Unpublished copy not to be reproduced  
without written permission of AMP


REVISIONS					
REV	ZONE	LTR	DESCRIPTION	DATE	APPROVED
✓		O	REL-1 PER 87-5125-101-02	9-5-85	HWK
✓		A	REV PER AD 1753	12-8-87	LEW
✓		B	REV PER AD 2044	12-8-87	LEW
✓		C	REV PER 0010-0551-94	6-9-71	HWK
✓		D	REV PER 0010-1143-95	11-95	PB



1 CARD EDGE AND MOUNTING HOLE DIMENSIONS TO BE CHECKED  
WITH HOUSING RESTRAINED AS MOUNTED  
2 FIT FOR .055- .070 P.C. BOARD  
3 SLOT OPTIONAL FIT FOR MOUNTING EAR



BOARD LAY OUT

	1.337	1.350	1.560	1.940	2.320	9	650048-1
	F	D	C	B	A	NO. OF POS	PART NO
UNLESS OTHERWISE SPECIFIED DIMENSIONS ARE IN INCHES TOLERANCES ON: DECIMALS .005 ANGLES .005	CONTRACT NO		 AMP INCORPORATED Harrisburg Pa				
	DR <i>L. Wachman</i> 5/01/87 CHK <i>Howard W. Dore</i> 5/18/87 APPD <i>Howard W. Dore</i> 5/18/87 APPD						
MATERIAL NYLON	JSGN APPD		NAME HOUSING, DUO-TYNE FLAG WITH MOUNTING EARS.				
FINISH	OTHER APPD		SIZE CODE IDENT NO DRAWING NO C 00779 650048				
SCALE 1-1			SHEET				