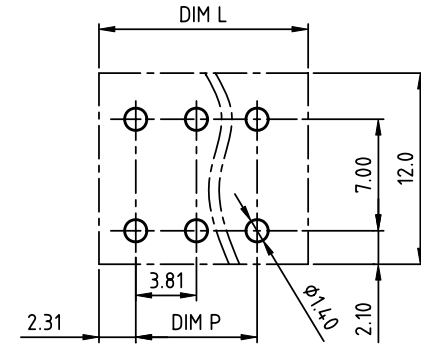
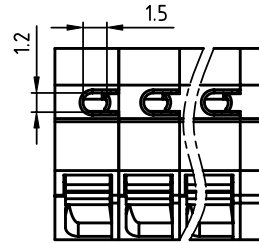
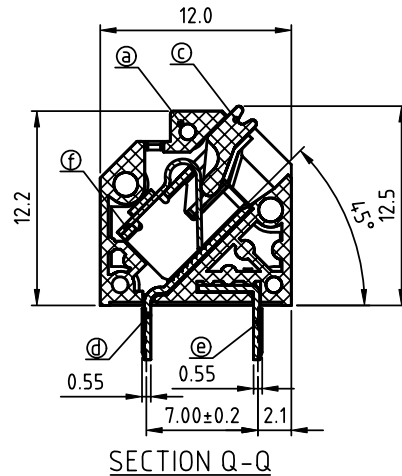


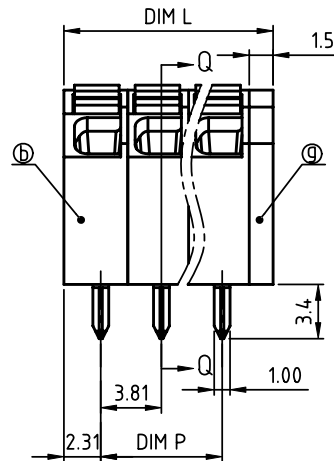
PRODUCT NUMBER	PITCH
NIxx30x000JOG	3.81mm



RECOMMENDED P.C.B LAYOUT
TOP VIEW



SECTION Q-Q



Material:

- ItemⒶ Terminal body: Thermoplastic (UL94V-0)
- ItemⒷ Terminal side body: Thermoplastic (UL94V-0)
- ItemⒸ Terminal lever: Thermoplastic (UL94V-0) Orange RAL2011/P
- ItemⒹ Female long contact: Brass.Tin Plated
- ItemⒺ Female short contact: Brass.Tin Plated
- ItemⒻ Spring clamp: Stainless steel
- ItemⒼ Terminal cover: Thermoplastic (UL94V-0)

Electrical:

- Voltage rating: 300 V
- Current rating: 10A
- Wire range:
- Solid wire(AWG): 16-26
- Stranded wire(AWG): 16-26
- Wire strip length: 8-9 mm
- Withstanding Voltage: 1.6 KV
- Operating temperature: -40°C to +115°C
- Soldering temperature: 260°C ±5°C/5 Sec
- Safety Approval:

N=Number of poles
Dim L=(N×3.81)+1.7
Dim P=(N-1)×3.81

POLES	Dim L	Dim P
1p	±0.10	—
2-6p	±0.10	±0.10
7-12p	±0.20	±0.20
13-18p	±0.30	±0.30
19-24p	±0.40	±0.40

PART NO.: NI xx 30 x 000JOG

No. of poles	Color	RoHS compliant
0	Black (RAL9005)	(lead<4%)
End Stackable	2 Red (RAL3001/D)	In copper Alloy
01	1 poles 3 Orange(RAL2011/P)	
02	2 poles 4 Yellow(RAL1018/A)	
...	...	
...	5 Green(RAL6018/T)	
24	24 poles 6 Blue (RAL5015/A)	
	8 Grey(RAL7004/P)	
	9 White(RAL1102)	
	C Multiple colors	

mat'l. code		surface ASME Y14.5	tolerance ASME Y14.5	projection 	product family TERMINAL BLOCK
ltr	ecn no	dr	date	tolerances unless otherwise specified	title TERMINAL BLOCK
				angles 	MM
				X±0.5	scale
				X.X±0.3	
				X*±1*	X.XX±0.1
		dr	EVIN ZHONG	060314	dwg no
		enr	EVIN ZHONG	060314	sheet 1 of 1
		chr	HANKE FENG	060314	size A4
		appd	SHI JUN	060314	NIxx30x000JOG
					type CUSTOMER Drawing
sheet index	revision	A			
	sheet	1			