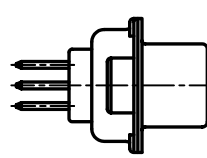
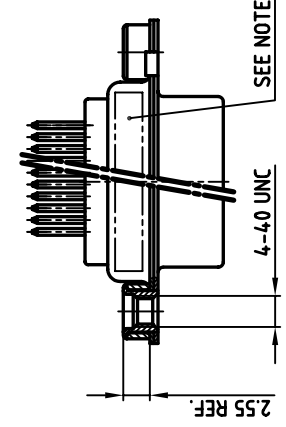
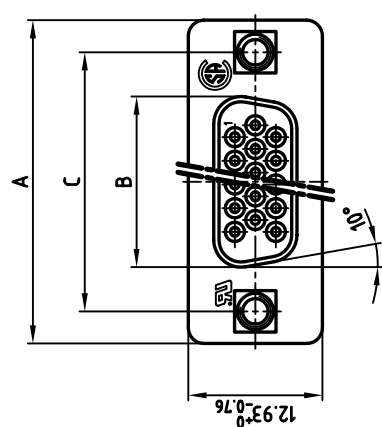
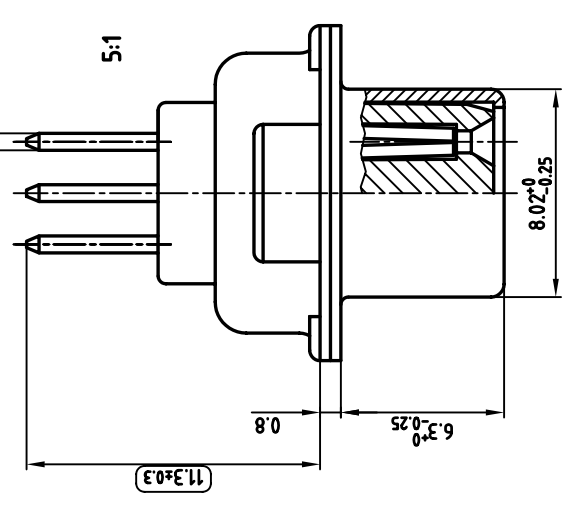


used for: D-SUB HD



| POS. | A ^{-0.16} | B ^{-0.25} | C | Part NO. |
|------|--------------------|--------------------|---|------------|
| 15 | 31.19 | 16.46 | 25.00 ^{+0.12} _{-0.13} | 164A17209X |
| 26 | 39.52 | 24.79 | 33.30 ^{+0.5} _{-0.1} | 164A17219X |
| 44 | 53.42 | 38.50 | 47.04 ^{+0.13} | 164A17229X |
| 62 | 69.70 | 54.96 | 63.50 ^{+0.13} | 164A17239X |



NOTES:

- METALSHELLS: STEEL; min. 320µ" TIN
- INSULATORS: PBT GF UL 94 V-0, BLACK
- CONTACTS: COPPER ALLOY
PLATING: 8µ" HARD GOLD OVER min. 50µ" NICKEL
- THREADED INSERT: COPPER ALLOY; min. 200µ" TIN over 80µ" NICKEL
- COLLAR: COPPER ALLOY; min. 200µ" TIN over 80µ" NICKEL
- P.C.B. HOLE DRILLINGS ON DRAWING NO.: 16V1H6B
- MAXIMUM TORQUE VALUE FOR THREAD: 6" LBS
- CONNECTOR IS PART MARKED: PART-NO. CONEC Y/WW
- = CHECK GAUGE



APPROVAL # FREIGABE # DEBLOCKAGE # AUTORIZACION # APPROVAL

CUSTOMER APPROVAL DATE:

NAME: _____ TITLE: _____

COMPANY NAME: _____

APPROVAL # FREIGABE # DEBLOCKAGE # AUTORIZACION # APPROVAL

THIS DRAWING MAY NOT BE COPIED OR REPRODUCED IN ANY WAY, AND MAY NOT BE PASSED ON TO A THIRD PARTY WITHOUT WRITTEN PERMISSION.

OWNERSHIP AND COPYRIGHT OF CONEC GMBH DO NOT ALTER CAD DRAWING BY HAND

| rev. | description | date | name |
|------|-------------|------|------|
| | | | |
| | | | |
| | | | |

| tolerance | dim. in mm | name |
|-----------|------------|--------|
| 2003 | date | 01.04. |
| drawn | Pareil | Labus |
| appd. | 01.04. | Labus |
| norm | DIN 41652 | |
| e-old | | |

scale: 2:1 (5:1)
material: SEE NOTES

title: D-SUB HD FEMALE
15-62pos. PIN VERSION
with threaded insert

dwg no: 16K1A935
AutoCAD 2000

DIN-A 3
sh: 1/1

part no: SEE TABLE

