

ARK-1503

Intel® Atom™ D525 Slim and Panel Mountable Fanless Box PC



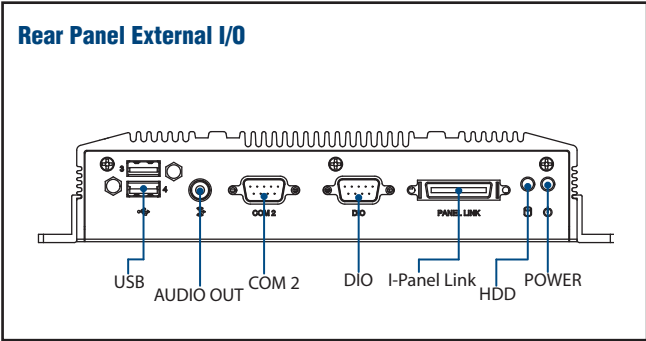
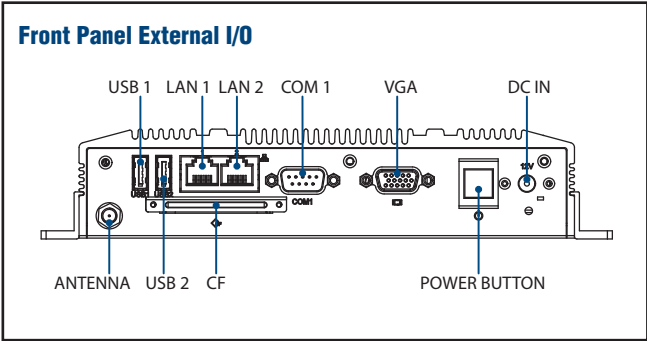
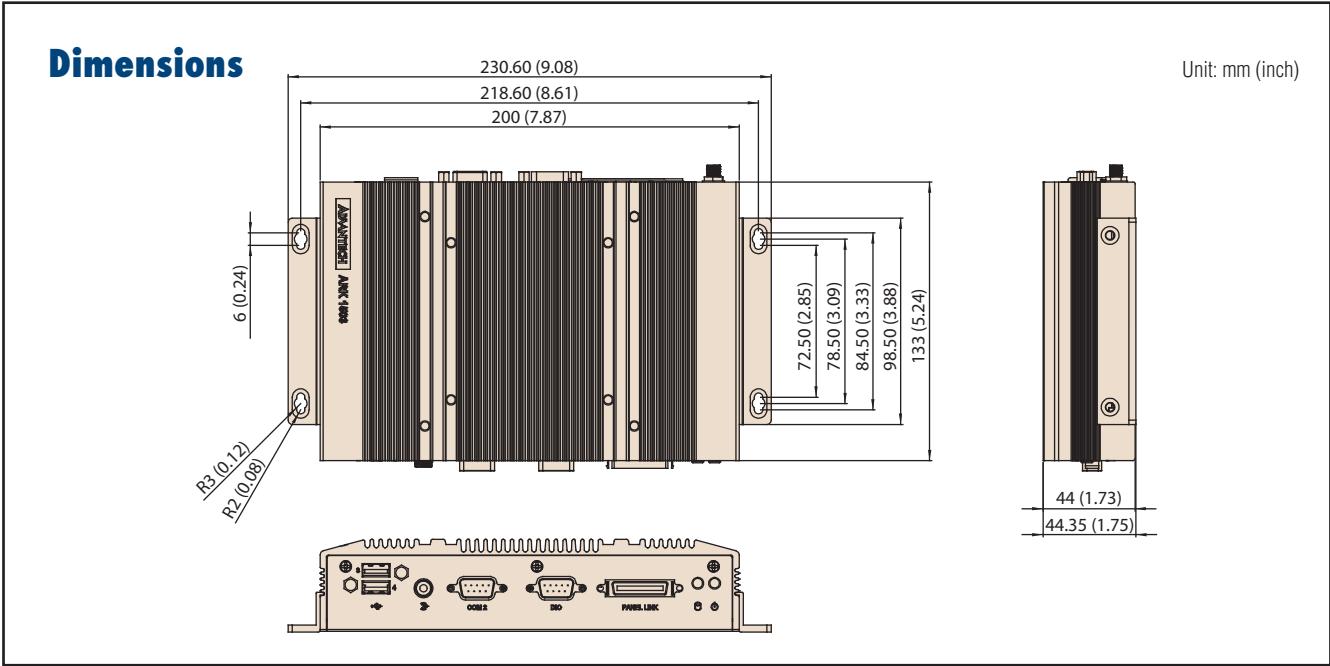
Features

- Intel Atom D525 Dual Core 1.8 GHz
- Supports integrated LVDS interface, with LVDS/2 x USB/Rx/Tx signal
- Supports 2 x Intel GbE and 4 USB 2.0 ports
- Supports 1 x RS-232, 1 x RS-232/422/485 with Auto-flow control
- Built-in 1 x Mini PCIe expansion slot for communication module, like WLAN
- Supports external CF socket, 2.5" SATA HDD Bay
- DC 12V power input
- Lockable DC jack design
- IP40 sealed design
- Supports SUSIAccess and Embedded Software APIs



Specifications

		ARK-1503F-D6A1E
Processor System	CPU	Intel Atom D525
	Frequency	1.8 GHz (Dual Core)
	L2 Cache	1MB
	System Chipset	Intel ICH8-M
	BIOS	AMI 16 Mbit Flash BIOS
Memory	Technology	Single channel DDR3 1066/1333 MHz
	Max. Capacity	4 GB
	Socket	1 x 204-pin SO-DIMM
Graphics	Chipset	Intel Gen 3.5 DX9, MPEG2 Decode in HW
	VRAM	Optimized Shared Memory Architecture up to 224 MB system memory
	Interface	VGA: Supports up to 2048 x 1536 @ 60 Hz LVDS: Single channel 24-bit LVDS up to WXGA 1366 x 768 (Integrated in I-Panel Link)
	Dual Display	VGA + LVDS
Ethernet	LAN1	10/100/1000 Mbps Intel 82567V GbE, support Wake On LAN
	LAN2	10/100/1000 Mbps Intel 82583V GbE, support Wake On LAN
Audio	Interfaces	Realtek ALC892, Line-out
IO Interface	Serial Ports	1 x RS-232 1 x RS-232/422/485 (Jumper selection, suggest go for T-P/N or CTOS due to complicated access), support Auto-flow control
	USB Interface	4 x USB ports, USB 2.0 Compliant
	Digital I/O	8-bit programmable DIO
	Watchdog timer	255-level timer interval, setup by software
	Integrated LVDS Interface	DB36 with LVDS, 2 x USB, Rx/Tx and backlight control
Storage	HDD	Supports one SATA 2.5" HDD Bay (support 9.5 mm height only)
	SSD	Supports one external CompactFlash socket for type I/II CompactFlash disk
Expansion	PCIe	1 x PCIe with full-size mini card interface, w/o USB signal
Software Support	Microsoft Windows	Windows 7, XP Professional, XP Embedded
Power Requirement	Power Type	AT/ATX
	Power Input Voltage	12 V _{oc}
	Minimum Power Input	DC 12V @ 3A (without supplying power to panel)
	Power Adapter (Optional)	AC-to-DC, 60W DC12V/5A
Power Consumption	Typical	11.88 W (w/o supplying power to panel)
	Max.	16.44 W (w/o supplying power to panel)
Mechanical	Construction	Aluminum housing
	Mounting	Desk/wall-mounting
	Dimensions (W x H x D)	230.6 x 44.4 x 133.0 mm (9.08" x 1.75" x 5.24")
	Weight	1.9 kg (4.18 lbs)
Environment	Operating Temperature	With extended temperature peripherals: -20 ~ 60° C, w/extend temperature HDD: 0-45° C
	Storage Temperature	- 40 ~ 85° C (-40 ~ 185° F)
	Relative Humidity	95% @ 40° C (non-condensing)
	Vibration Loading During Operation	With Compact Flash/2.5" SATA SSD only: 5 Grms, IEC 60068-2-64, random, 5 ~ 500 Hz, 1 Oct./min, 1 hr/axis
	Shock During Operation	With Compact Flash/2.5" SATA SSD only: 50 G, IEC 60068-2-27, half sine, 11 ms duration
	EMC	CE/FCC Class A, BSMI, CCC, KCC
	Safety Certifications	UL, CCC, BSMI, KCC



Ordering Information

Part Number	Intel CPU	RAM	VGA	LVDS	Audio	GbE	2.5" HDD bay	CF	USB 2.0	RS-232	RS-232/422/485	8-bit GPIO	PCIe	Operating Temp.
ARK-1503F-D6A1E	Atom D525 1.8GHz	Up to 4GB	1	1	Line out	2	1	1	4	1	1	1	1	-20 ~ 60° C

Note: Memory, storage and operating system bundled by request.

Packing List

Part Number	Description
-	1 x ARK-1503 Unit
-	1 x Driver/Utility CD/Manual
-	1 x Power bracket
1700001967	1 x Flat cable for RS-485/422 mode of COM2

Embedded OS

Part Number	Description
2070010408	Image XPE WES2009 ARK-1503 V4.0 ENG
2070010409	Image XPE WES2009 ARK-1503 V4.0 24MUI

Optional Items

Part Number	Description
1757003934	AC-to-DC Adapter, DC 12V/5A 60W, with DC Jack Plug, 0 ~ 40° C for Home and Office Use
1757004522-01	AC-to-DC Wide Temperature Adapter, DC 12V/3.33A 40W, -20° C ~ 70° C
1702002600-01	Power cable 3-pin 183 cm, USA type (For power adapter 1757004522-01 & 1757003934)
1700018705	Power cable 3-pin 183 cm, Europe type (For power adapter 1757004522-01 & 1757003934)
1700018704	Power cable 3-pin 183 cm, UK type (For power adapter 1757004522-01 & 1757003934)
1700000237-01	Power cable 3-pin 183 cm, PSE type (For power adapter 1757004522-01 & 1757003934)
AMK-V004E	VESA mounting kit
AMK-R002E	DIN-rail mounting kit