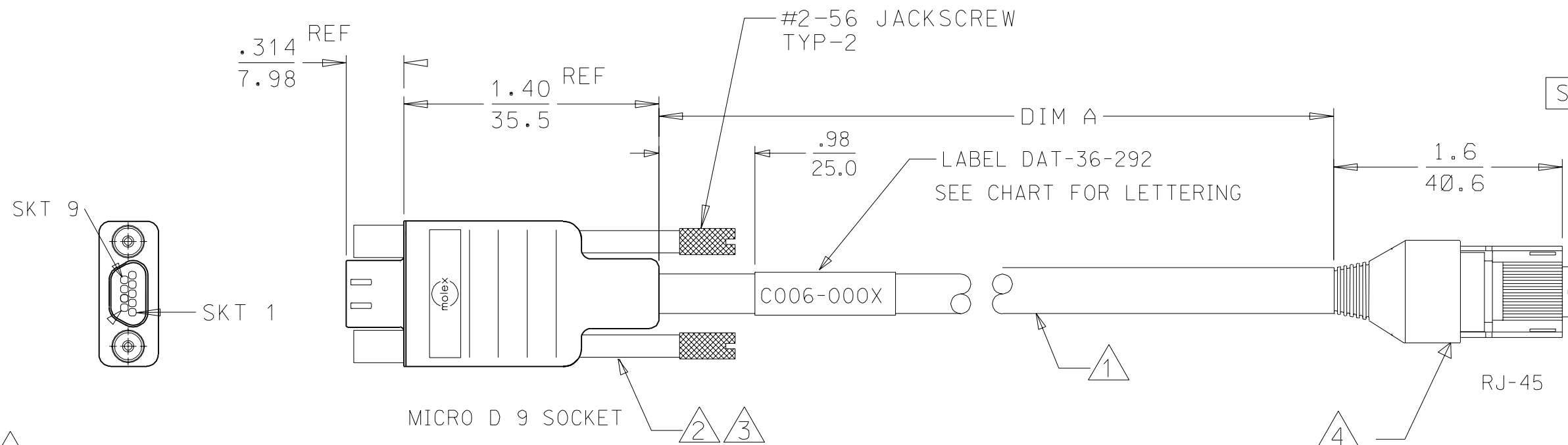
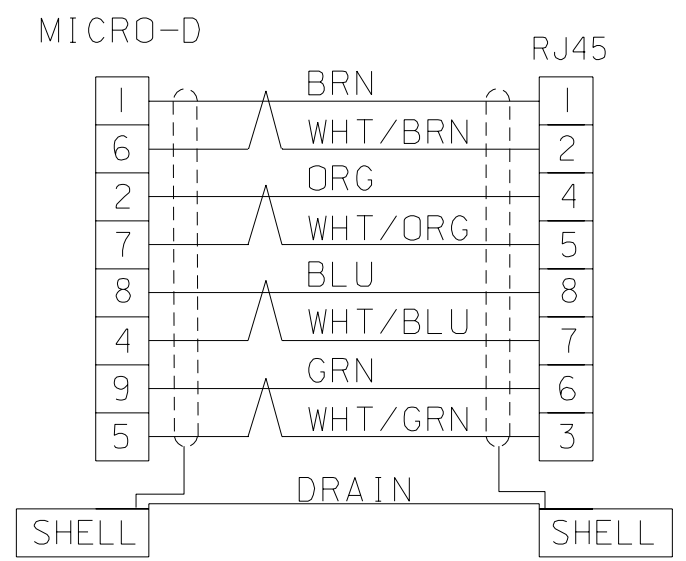


| MATERIAL NO. | ENGINEERING NO. | DIM A       | TOLERANCE           | LABEL PRINT |
|--------------|-----------------|-------------|---------------------|-------------|
| 834219224    | 83421-9224      | 4ft+/1200mm | +1.89-.945/+48-24mm | C006-0001   |
| 834219225    | 83421-9225      | 32.8ft+/10m | +4.0-2.5/+100-63.mm | C006-0002   |
| 834219226    | 83421-9226      | 9.85ft+/3m  | +2.36-1.89/+60-48mm | C006-0003   |



- 4. MODULAR PLUG ASSEMBLY  
SHIELDED RJ-45 8P8C  
WITH 50 MICRO INCH GOLD PLATING  
WITH S/R BOOT
- 3. REFER TO PS-83421-9000 FOR PRODUCT SPEC.
- 2. MICRO-D, 9 SOCKET FEMALE CONNECTOR (CRIMP TYPE)  
CONTACTS: BRASS ALLOY, 30 MICRO INCH GOLD PLATED.  
INSULATOR: PVC OVERMOLD, COLOR: BLACK.  
WITH (2) #2-56 JACKSCREWS
- 1. CABLE: CAT 5E 26AWG 4 PAIR & DRAIN WIRE  
8 CONDUCTOR, TINNED COPPER, 7 STRAND.  
WIRE INSULATION: PVC  
SHIELD: AL-FOIL/MYLAR. INCLUDING DRAIN WIRE & BRAID  
OUTER CABLE JACKET: BLACK PVC.

NOTES: UNLESS OTHERWISE SPECIFIED.

RESTRICTED SALES DRAWING

(A1)

|   |                      |  |                   |  |  |                  |     |     |
|---|----------------------|--|-------------------|--|--|------------------|-----|-----|
| CHNG TO SD IN MIDAS<br>EC NO. ETC2004-0077<br>DRWN: EMF 03/09/26<br>CHK: HEB 03/09/26<br>APPR: RSD 03/09/26 | QUALITY SYMBOLS      | GENERAL TOLERANCES: (UNLESS SPECIFIED)               | SCALE NO:NE       | DESIGN UNITS   | THIRD ANGLE PROJECTION                               | DIMENSIONS:      | SHT | REV |
|   | MAJOR = 0            | mm INCH  | NO:NE             | mm INCH  | THIRD ANGLE PROJECTION                               | mm INCH mm ONLY  |     |     |
|   | CRITICAL C = 0       | 4 PLACES ±0. ±.                                      | DRAWN BY & DATE   | JAL 03/04/07   | TITLE: CABLE ASSEMBLY                                |                  |     |     |
|   |                      | 3 PLACES ±0. ±.005                                   | CHECKED BY & DATE | / /  | 9 SKT MICRO D TO 8 POS.<br>MOD. PLUG ASSY W/OVERMOLD |                  |     |     |
|   | 2 PLACES ±0.13 ±.010 | APPROVED BY & DATE                                   | RWD 03/04/10      | MOLEX INCORPORATED   |  |                  |     |     |
|   | 1 PLACE ±0.25 ±.     | CAD FILENAME   | RSD-83421-024DGN  | MATERIAL NO. SEE CHART   | DRAWING NO. RSD-83421-024                            | SHEET NO. 1 OF 1 |     |     |
|   | ANGULAR: ±2 °        | DRAFT WHERE APPLICABLE MUST REMAIN WITHIN DIMENSIONS |                   | THIS DRAWING CONTAINS INFORMATION THAT IS PROPRIETARY TO MOLEX INCORPORATED AND SHOULD NOT BE USED WITHOUT WRITTEN PERMISSION. |  | SIZE B           |     |     |