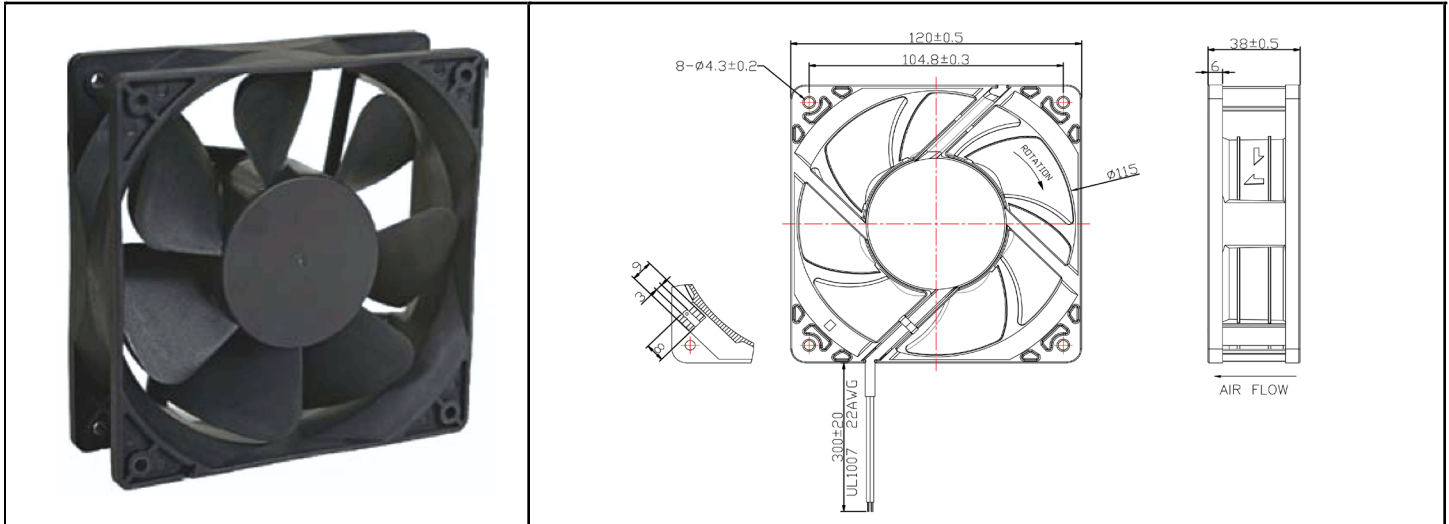


# OA109EC Series



AC Fan - 115V / 230V Universal Input  
120x38mm (4.7"x 1.5")



Frame	PBT, UL94V-O plastic	Operating Temperature Ball Bearing -20C ~ +70C	
Impeller	PBT, UL94V-O plastic		
Connection	2x Lead wires,(300mm) or Terminals	Life Expectancy Ball Bearing 60,000 hours (L10 at 40C)	
Motor	EC Motor, thermally protected	Weight .64 lbs	
Bearing System	Dual ball		
Insulation Resistance	>10M ohm between leadwire and frame (500VDC)	m2	
Dielectric Strength	1 sec at 1800 VAC, 50/60Hz		

Model Number	OA109EC-UR-1*B
Nominal Voltage	115/230 univ. input
Voltage Range	90 ~ 265 VAC
Rated Current	.08A @ 115V, .06A @ 230V
Nominal Power	4.9W @ 115V, 5.2W @ 230V
Rated Speed (RPM)	3200
Airflow (CFM)	106
Noise Level (dB)	43
Max. Static Pressure	0.34" H <sub>2</sub> O

\* Indicate "T" (Terminal), or "W" (12" Wire Leads)