

THIS DRAWING IS UNPUBLISHED.

RELEASED FOR PUBLICATION

LOC

DIST

REVISIONS

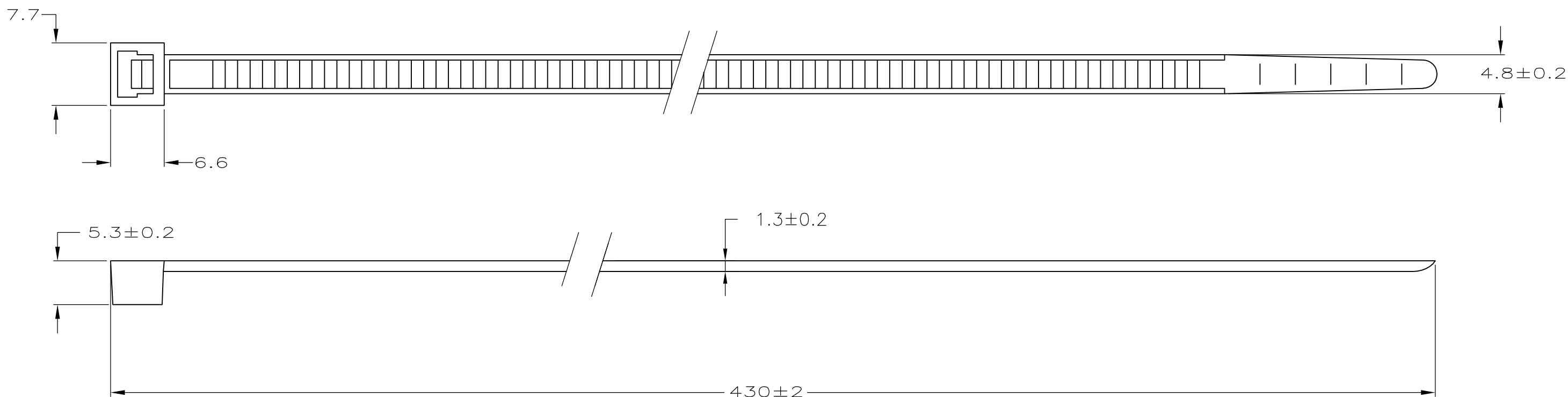
© COPYRIGHT - By -

ALL RIGHTS RESERVED.

P	LTR	DESCRIPTION	DATE	DWN	APVD
	C	VENDOR CHANGE; DIMENSION CHANGE ROLL BACK	21DEC2012	SP	RP

NOTES:

- 1 RANGE: $\phi 115$ MAX.
- 2 MIN. TENSILE STRENGTH 220N.



100	BLACK	POLYAMIDE 6.6	2-160995-2
100	NATURAL	POLYAMIDE 6.6	2-160995-1
QTY	FINISH	MATERIAL	PART NUMBER

THIS DRAWING IS A CONTROLLED DOCUMENT.		DWN J.V.D.HEIJDEN. 27-02-92	STE TE Connectivity			
DIMENSIONS: mm		CHK R.VOS.			NAME CABLE TY.	
TOLERANCES UNLESS OTHERWISE SPECIFIED:		APVD L.V.SOEST.	PRODUCT SPEC			
<ul style="list-style-type: none"> 0 PLC ± - 1 PLC ± 0.4 2 PLC ± - 3 PLC ± - 4 PLC ± - ANGLES ± - 		APPLICATION SPEC		RESTRICTED TO		
MATERIAL SEE TABLE	FINISH SEE TABLE	WEIGHT -	SIZE A3	CAGE CODE 00779	DRAWING NO C-160995	RESTRICTED TO -
CUSTOMER DRAWING			SCALE NTS	SHEET 1 OF 1	REV C	